

33SVX01N030PT04QBE

Technical data

Company name
Contact
Phone number
e-mail address

| Operating data | | | | | |
|----------------|---------------------------|----------|----|---------------------------|-------------|
| 1 | Pumpe type | vertical | | Fluid | Water, pure |
| 2 | No. of pumps | | 1 | Operating temperature t A | °C 4 |
| 3 | Nominal flow | m³/h | 0 | pH-value at t A | 7 |
| 4 | Nominal head | m | 0 | Density at t A | kg/m³ 1000 |
| 5 | Static head | m | 0 | Vapor pressure at t A | kPa 100 |
| 6 | Inlet pressure | kPa | 0 | Kin. viscosity at t A | mm²/s 1.569 |
| 7 | Environmental temperature | °C | 20 | Altitude | 0 |
| 8 | Available system NPSH | m | 0 | | |

| Pump data | | | | | |
|-----------|-----------------------|-----|-------------------|--|--|
| 9 | Product version | | [X] - Hydrovar X+ | | |
| 10 | Operating speed | | | | |
| 11 | Stages | | 1 | | |
| 12 | Max. working pressure | kPa | 347.2 | | |
| 13 | Head H(Q=0) | m | 35 | | |
| 14 | Power input P1(max) | kW | 3.5 | | |
| 15 | Total weight | kg | 76.7 | | |
| 16 | Power input | kW | | | |
| 17 | Overall efficiency | % | | | |
| 18 | Shaft power | kW | | | |
| 19 | Pump efficiency | % | | | |
| 20 | NPSH 3% | m | | | |
| 21 | | | | | |

| Materials | | | | | |
|-----------|--------------------------|---------------------------------|------------|------------------------|--------------------------|
| Pump | | | Shaft Seal | | |
| 22 | | | | | |
| 23 | Pump body | Stainless steel / AISI 316 cast | | Mechanical seal | |
| 24 | Lower support | Stainless steel / AISI 316 cast | | Uniten (-30 / +120 °C) | |
| 25 | Impeller | Stainless steel / AISI 316L | | | |
| 26 | Diffuser | Stainless steel / AISI 316L | | 1 - Rotating part | Silicon Carbide |
| 27 | Outer sleeve | Stainless steel / AISI 316L | | 2 - Stationary part | Resin impregnated carbon |
| 28 | Shaft | Duplex Stainless steel | | 3 - Elastomers | EPDM |
| 29 | Adapter | Cast iron | | 4 - Springs | AISI 316 |
| 30 | Wear ring | Technopolymer PPS | | 5 - Other components | AISI 316 |
| 31 | Coupling | Cast iron | | | |
| 32 | Upper head | Stainless steel / AISI 316 cast | | | |
| 33 | SEAL HOUSING | Stainless steel / AISI 316 cast | | | |
| 34 | Coupling protection | Stainless steel / AISI 304 | | | |
| 35 | Shaft sleeve and bushing | Tungsten carbide | | | |
| 36 | Bushing for diffuser | Carbon | | | |
| 37 | Fill / drain plugs | Stainless steel / AISI 316 | | | |
| 38 | Tie rods | Stainless steel / AISI 431 | | | |
| 39 | | | | | |
| 40 | | | | | |
| 41 | | | | | |

| Motor data | | | | | |
|------------|-----------------|-----------------------|--|--------------------------|-------------------------------|
| 42 | Manufacturer | Xylem | | Rated voltage | 380-480V |
| 43 | Specific design | IE5 Three phase motor | | Rated current | 6,7-5,3 A |
| 44 | Type | EXM100B5/4.030BH2 | | Motor efficiency @400V % | 4/4: 87.8 3/4: 87.6 2/4: 85.8 |
| 45 | Rated power | 3 kW | | Power factor @400V | 0.86 |
| 46 | Nominal speed | 3600 rpm | | Weight | kg 24.7 |
| 47 | Frame size | 100 | | | |
| 48 | Size | B | | | |

| Remarks | | | | | |
|---------|--|--|--|--|--|
| 49 | | | | | |
| 50 | | | | | |
| 50 | | | | | |
| 52 | | | | | |

| | | | | | |
|---------|--------------------|------------|----------|-------------|----------|
| Project | Xylect-22264962 | Created by | | Last update | 5/9/2024 |
| Block | 33SVX01G030PT04QBE | Created on | 5/9/2024 | | |

33SVX01N030PT04QBE

Performance curve

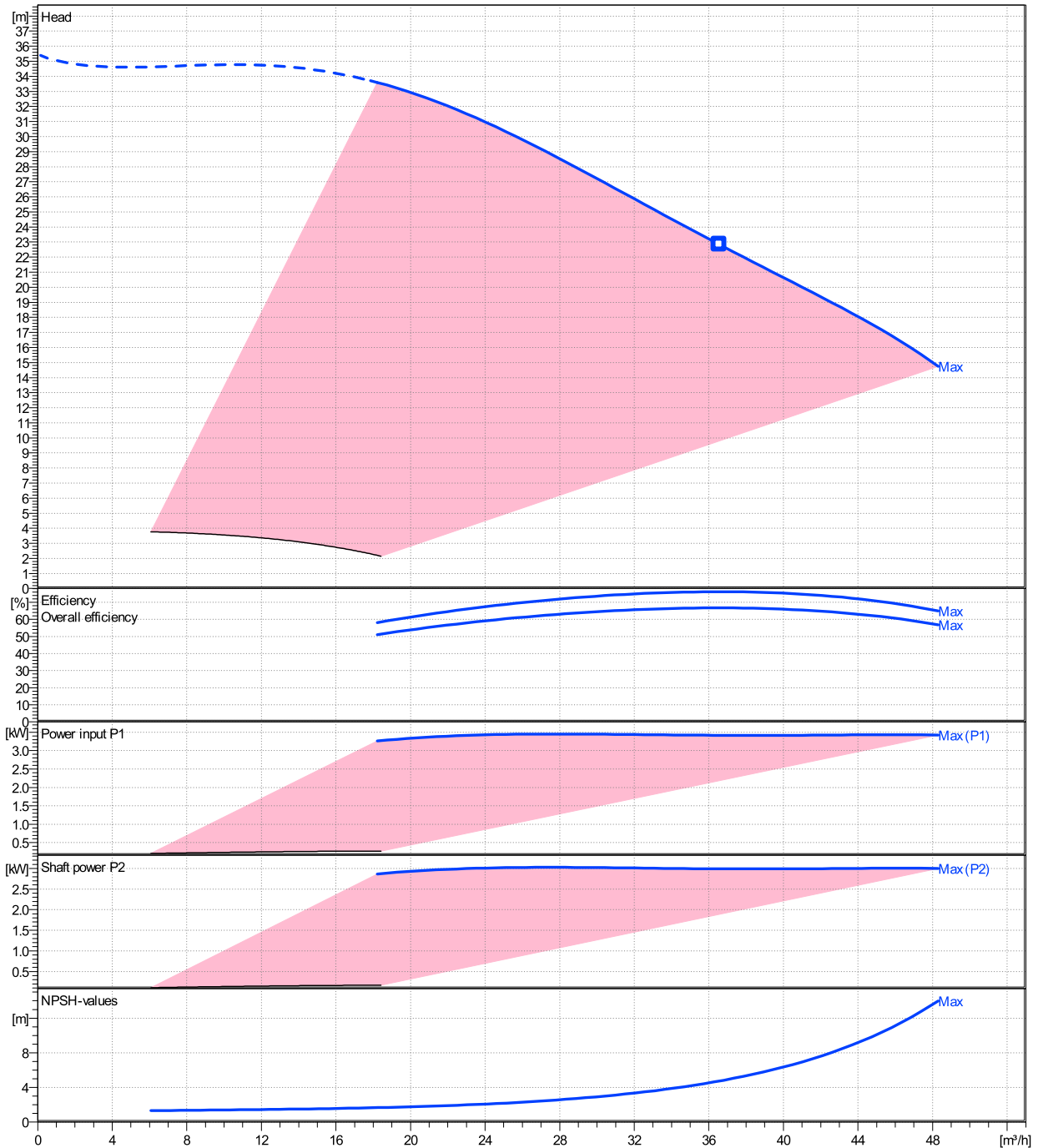
Company name
Contact
Phone number
e-mail address

| Ø | Pump capacity | | | Pump head | | Frequency | Hz | 50/60 |
|------|-----------------|-----------|-----------|-----------|--------|-----------------|------|-------|
| | Operating range | η | H(Q=0) | η | | | | |
| | Min. m³/h | Max. m³/h | Max. m³/h | m | Max. m | Operating speed | rpm | |
| Max. | 18.2 | 48.3 | 36.6 | 35.4 | 22.8 | Nominal flow | m³/h | 0 |
| | | | | | | Nominal head | m | 0 |
| | | | | | | Inlet pressure | kPa | 0 |
| | | | | | | Static head | m | 0 |

Power datas referred to:

Water, pure [100%] ; 4°C; 1000kg/m³; 1.57mm²/s

hydr. Performance acceptance acc. To EN ISO 9906 Class 3B

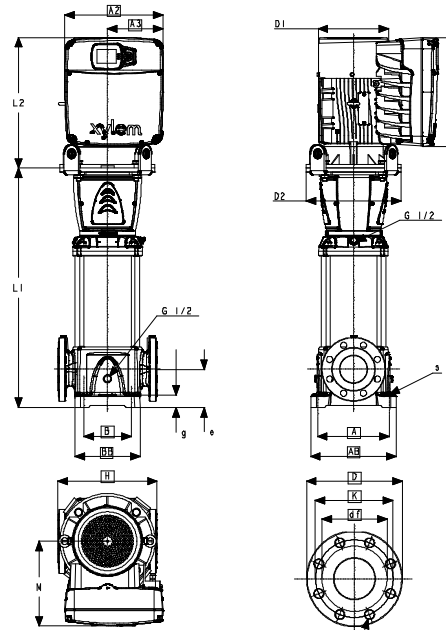


33SVX01N030PT04QBE

Dimensions

Company name
Contact
Phone number
e-mail address

[X] - Hydrovar X+
EXM100B5/4.030BH2



| SV G | | EN 1092-1 PN 16 | | | | EN 1092-1 PN 25 | | | |
|------|-----|-----------------|-----|-----------|-----|-----------------|-----|-----------|--|
| DN | D | K | df | d1 | D | K | df | d1 | |
| 65 | 185 | 145 | 118 | N.4 x Ø19 | 185 | 145 | 118 | N.8 x Ø19 | |
| 80 | 200 | 160 | 132 | N.8 x Ø19 | 200 | 160 | 132 | N.8 x Ø19 | |
| 100 | 220 | 180 | 156 | N.8 x Ø19 | 235 | 190 | 156 | N.8 x Ø23 | |
| 125 | 260 | 210 | 184 | N.8 x Ø19 | 280 | 220 | 184 | N.8 x Ø28 | |

| SV N, P | | EN 1092-1 PN 16 | | | | EN 1092-1 PN 25 | | | |
|---------|-----|-----------------|-----|-----------|-----|-----------------|-----|-----------|--|
| DN | D | K | df | d1 | D | K | df | d1 | |
| 65 | 185 | 145 | 122 | N.4 x Ø19 | 185 | 145 | 122 | N.8 x Ø19 | |
| 80 | 200 | 160 | 138 | N.8 x Ø19 | 200 | 160 | 138 | N.8 x Ø19 | |
| 100 | 220 | 180 | 158 | N.8 x Ø19 | 235 | 190 | 162 | N.8 x Ø23 | |
| 125 | 260 | 210 | 184 | N.8 x Ø19 | 280 | 220 | 184 | N.8 x Ø28 | |

| Dimensions [mm] | |
|-------------------|-------|
| A | 240 |
| A1 | 289 |
| A2 | 256 |
| A3 | 149 |
| AB | 290 |
| B | 170 |
| BB | 220 |
| D1 | 179 |
| D2 | 164 |
| DN | 65 |
| e | 105 |
| g | 30 |
| H | 320 |
| L1 | 489 |
| L2 | 339 |
| M | 194 |
| s | 4xØ15 |

| Weight | |
|--------------|---------|
| Total weight | 76.7 kg |

Dimensions and weight without obligation

| | | | | | |
|---------|--------------------|------------|----------|-------------|----------|
| Project | Xylect-22264962 | Created by | | Last update | 5/9/2024 |
| Block | 33SVX01G030PT04QBE | Created on | 5/9/2024 | | |

33SVX01N030PT04QBE

Technical data

Company name
Contact
Phone number
e-mail address



| REF. | ITEM | DESCRIPTION | DEFAULT |
|------|------------------------|---|-------------------|
| 1 | | Power supply +24 VDC, max. 60mA (total, terminals 1 + 5) | |
| 2 | Analog Input 1 | Configurable Analog Input 1 | Pressure Sensor 1 |
| 3 | | Electronic GND | |
| 4 | Not used | Internal use - Do not connect | |
| 5 | | Power supply +24 VDC, max. 60mA (total, terminals 1 + 5) | |
| 6 | Analog Input 2 | Configurable Analog Input 2 | Not used |
| 7 | | Electronic GND | |
| 8 | External Start/Stop | Start/Stop digital input, +24 VDC internal pull-up, 6mA contact current | - |
| 9 | | Electronic GND | |
| 10 | External Lack of Water | Low water digital input, +24 VDC internal pull-up, 6mA contact current | - |
| 11 | | Electronic GND | |
| 12 | Digital Input 3 | Configurable Digital Input 3, +24 VDC internal pull-up, 6mA contact current | Solo Run |
| 13 | | Electronic GND | |
| 14 | Analog Output | Configurable Analog Output | Motor Speed |
| 15 | | Electronic GND | |
| 16 | | Power supply +24 VDC, max. 60mA (total, terminals 16 and 19) | |
| 17 | Analog Input 3 | Configurable Analog Input 3 | Not used |
| 18 | | Electronic GND | |
| 19 | | Power supply +24 VDC, max. 60mA (total, terminals 16 and 19) | |
| 20 | Analog Input 4 | Configurable Analog Input 4 | Not used |
| 21 | | Electronic GND | |
| 22 | Digital Input 4 | Configurable Digital Input 4, +24 VDC internal pull-up, 6mA contact current | Not used |
| 23 | | Electronic GND | |
| 24 | Digital Input 5 | Configurable Digital Input 5, +24 VDC internal pull-up, 6mA contact current | Not used |
| 25 | | Electronic GND | |
| 26 | 10 VDC supply | Power supply +10 VDC, max. 3mA | - |
| 27 | | Electronic GND | |
| 28 | | RS485 port 1 : RS485-1B N (-) | |
| 29 | Communication bus 1 | RS485 port 1 : RS485-1A P (+) | Multipump |
| 30 | | RS485 port 1 : RS485-COM | |
| 31 | | RS485 port 2 : RS485-2B N (-) | |
| 32 | Communication bus 2 | RS485 port 2 : RS485-2A P (+) | Modbus |
| 33 | | RS485 port 2 : RS485-COM | |
| 34 | | RS485 port 1 : RS485-1B N (-) | |
| 35 | Communication bus 1 | RS485 port 1 : RS485-1A P (+) | Multipump |
| 36 | | RS485 port 1 : RS485-COM | |
| 37 | | RS485 port 2 : RS485-2B N (-) | |
| 38 | Communication bus 2 | RS485 port 2 : RS485-2A P (+) | Modbus |
| 39 | | RS485 port 2 : RS485-COM | |
| 40 | | Configurable relay 1: Normally Open | |
| 41 | Relay 1 | Configurable relay 1: Normally Closed | Running |
| 42 | | Configurable relay 1: Common Contact | |
| 43 | | Configurable relay 2: Normally Open | |
| 44 | Relay 2 | Configurable relay 2: Normally Closed | Error |
| 45 | | Configurable relay 2: Common Contact | |