

# 15SVX03F040PT04QBE

## Technical data

Company name  
Contact  
Phone number  
e-mail address

Operating data					
1	Pumpe type	vertical		Fluid	Water, pure
2	No. of pumps	1		Operating temperature at t A	°C 4
3	Nominal flow	m³/h 0		pH-value at t A	7
4	Nominal head	m 0		Density at t A	kg/m³ 1000
5	Static head	m 0		Vapor pressure at t A	kPa 100
6	Inlet pressure	kPa 0		Kin. viscosity at t A	mm²/s 1.569
7	Environmental temperature	°C 20		Altitude	0
8	Available system NPSH	m 0			

Pump data		
9	Product version	[X] - Hydrovar X+
10	Operating speed	
11	Stages	3
12	Max. working pressure	kPa 623.9
13	Head H(Q=0)	m 64
14	Power input P1(max)	kW 4.6
15	Total weight	kg 41.4
16	Power input	kW
17	Overall efficiency	%
18	Shaft power	kW
19	Pump efficiency	%
20	NPSH 3%	m
21		

Materials			
	Pump	Shaft Seal	
22			
23	Pump body	Stainless steel / AISI 304	Mechanical seal
24	Impeller	Stainless steel / AISI 304	Uniten (-30 / +120 °C)
25	Diffuser	Stainless steel / AISI 304	
26	Outer sleeve	Stainless steel / AISI 304	1 - Rotating part
27	Shaft	Stainless steel / AISI 304	2 - Stationary part
28	Adapter	Cast iron	3 - Elastomers
29	Base	Aluminium	4 - Springs
30	Coupling	Aluminium	5 - Other components
31	SEAL HOUSING	Stainless steel / AISI 304	
32	Coupling protection	Stainless steel / AISI 304	
33	Shaft sleeve and bushing	Tungsten carbide	
34	Fill / drain plugs	Stainless steel / AISI 304	
35	Tie rods	Galvanized steel	
36	Wear ring	Technopolymer PPS	
37			
38			
39			
40			
41			

Motor data			
42	Manufacturer	Xylem	Rated voltage
43	Specific design	IE5 Three phase motor	Rated current
44	Type	EXM112B5/4.040BH2	Motor efficiency @400V %
45	Rated power	4 kW	Power factor @400V
46	Nominal speed	3600 rpm	Weight
47	Frame size	112	
48	Size	B	

Remarks	
49	
50	
50	
52	

# 15SVX03F040PT04QBE

## Performance curve

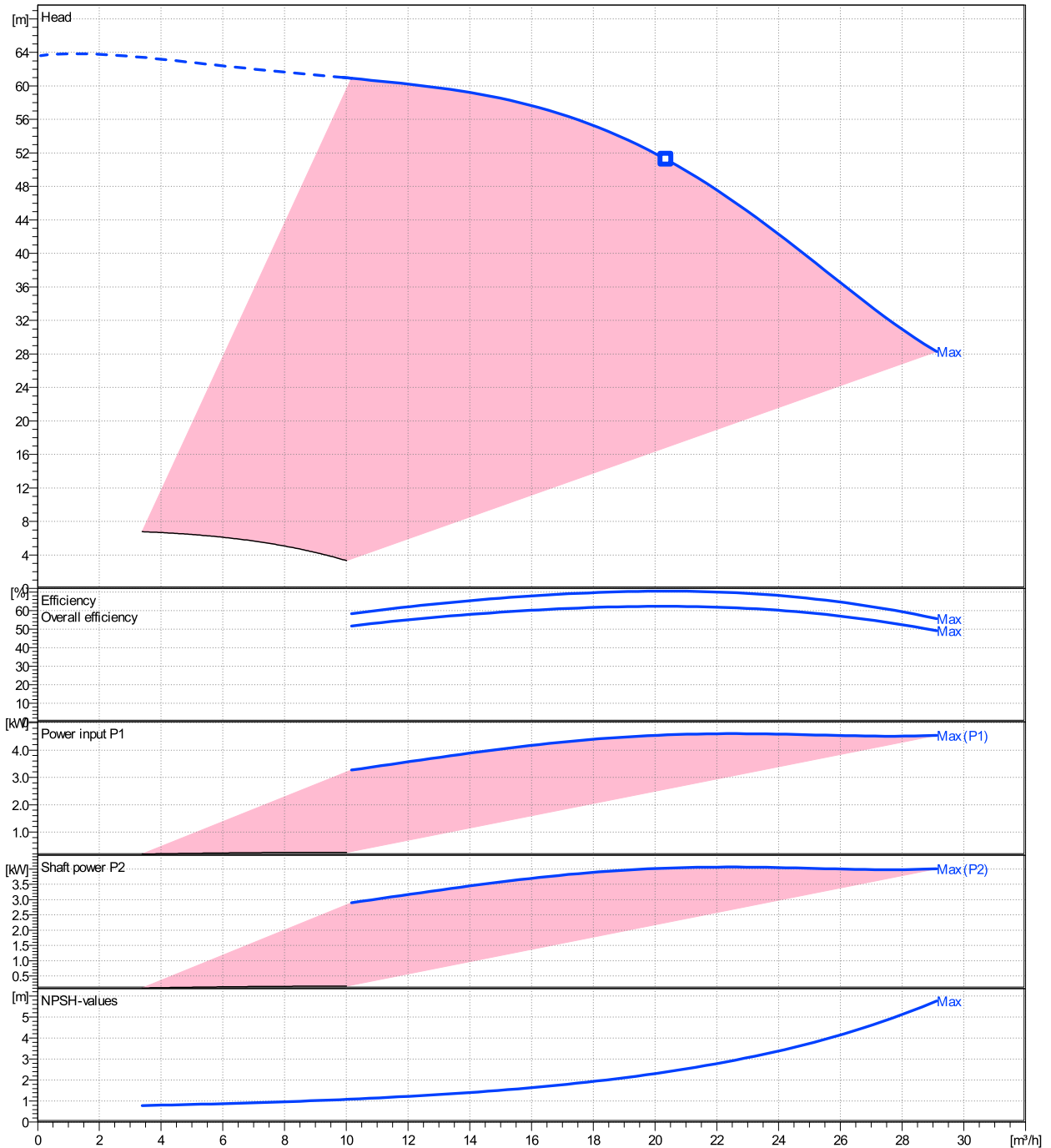
Company name  
Contact  
Phone number  
e-mail address

Ø	Pump capacity			Pump head		Frequency	Hz	50/60
	Operating range	η	η	H(Q=0)	η			
	Min. m³/h	Max. m³/h	Max. m³/h	m	m	Operating speed	rpm	
Max.	10.2	29.1	20.4	63.6	51.2	Nominal flow	m³/h	0
						Nominal head	m	0
						Inlet pressure	kPa	0
						Static head	m	0

**Power datas referred to:**

hydr. Performance acceptance acc. To EN ISO 9906 Class 3B

Water, pure [100%] ; 4°C; 1000kg/m³; 1.57mm²/s

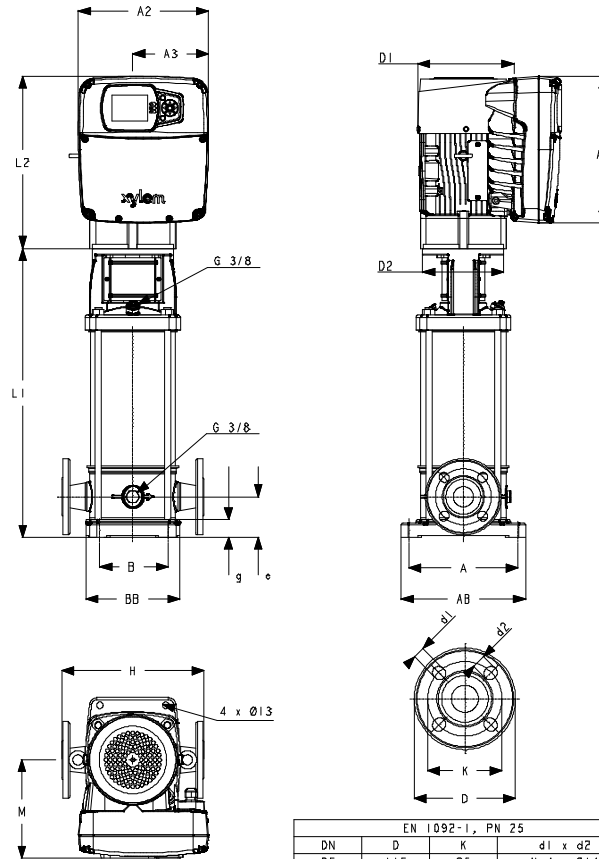


# 15SVX03F040PT04QBE

## Dimensions

Company name  
Contact  
Phone number  
e-mail address

[X] - Hydrovar X+  
EXM112B5/4.040BH2



EN 1092-1, PN 25			
DN	D	K	d1 x d2
25	115	85	N. 4 x Ø14
32	140	100	N. 4 x 18 x 18.8
40	150	110	N. 4 x 18 x 20.5
50	165	125	N. 4 x 18 x 20.5

Dimensions [ mm ]	
A	215
A1	289
A2	256
A3	149
AB	245
B	130
BB	185
D1	179
D2	160
DN	50
e	90
g	30
H	300
L1	467
L2	339
M	194
Weight	
Total weight	41.4 kg

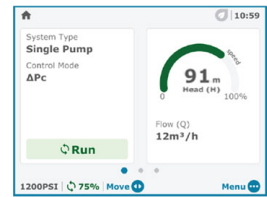
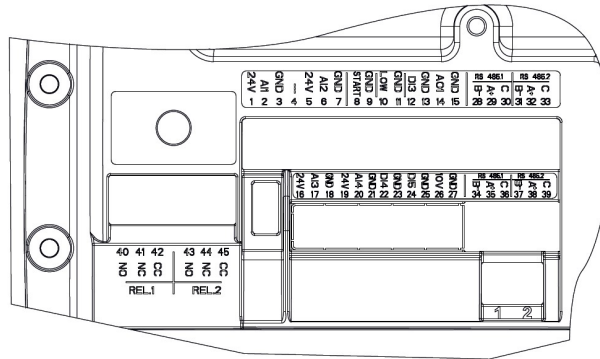
### Dimensions and weight without obligation

Project	Xylect-22253825	Created by		Last update	5/7/2024
Block	15SVX03F040PT04QBE	Created on	5/7/2024		

# 15SVX03F040PT04QBE

## Technical data

Company name  
Contact  
Phone number  
e-mail address



REF.	ITEM	DESCRIPTION	DEFAULT
1		Power supply +24 VDC, max. 60mA (total, terminals 1 + 5)	
2	Analog Input 1	Configurable Analog Input 1	Pressure Sensor 1
3		Electronic GND	
4	Not used	Internal use - Do not connect	
5		Power supply +24 VDC, max. 60mA (total, terminals 1 + 5)	
6	Analog Input 2	Configurable Analog Input 2	Not used
7		Electronic GND	
8	External Start/Stop	Start/Stop digital input, +24 VDC internal pull-up, 6mA contact current	-
9		Electronic GND	
10	External Lack of Water	Low water digital input, +24 VDC internal pull-up, 6mA contact current	-
11		Electronic GND	
12	Digital Input 3	Configurable Digital Input 3, +24 VDC internal pull-up, 6mA contact current	Solo Run
13		Electronic GND	
14	Analog Output	Configurable Analog Output	Motor Speed
15		Electronic GND	
16		Power supply +24 VDC, max. 60mA (total, terminals 16 and 19)	
17	Analog Input 3	Configurable Analog Input 3	Not used
18		Electronic GND	
19		Power supply +24 VDC, max. 60mA (total, terminals 16 and 19)	
20	Analog Input 4	Configurable Analog Input 4	Not used
21		Electronic GND	
22	Digital Input 4	Configurable Digital Input 4, +24 VDC internal pull-up, 6mA contact current	Not used
23		Electronic GND	
24	Digital Input 5	Configurable Digital Input 5, +24 VDC internal pull-up, 6mA contact current	Not used
25		Electronic GND	
26		Power supply +10 VDC, max. 3mA	
27	10 VDC supply	Electronic GND	-
28		RS485 port 1 : RS485-1B N (-)	
29	Communication bus 1	RS485 port 1 : RS485-1A P (+)	Multipump
30		RS485 port 1 : RS485-COM	
31		RS485 port 2 : RS485-2B N (-)	
32	Communication bus 2	RS485 port 2 : RS485-2A P (+)	Modbus
33		RS485 port 2 : RS485-COM	
34		RS485 port 1 : RS485-1B N (-)	
35	Communication bus 1	RS485 port 1 : RS485-1A P (+)	Multipump
36		RS485 port 1 : RS485-COM	
37		RS485 port 2 : RS485-2B N (-)	
38	Communication bus 2	RS485 port 2 : RS485-2A P (+)	Modbus
39		RS485 port 2 : RS485-COM	
40		Configurable relay 1: Normally Open	
41	Relay 1	Configurable relay 1: Normally Closed	Running
42		Configurable relay 1: Common Contact	
43		Configurable relay 2: Normally Open	
44	Relay 2	Configurable relay 2: Normally Closed	Error
45		Configurable relay 2: Common Contact	