

GHV20/22SVX07F110/4

Technical data

Company name
Contact
Phone number
e-mail address

Operating data

| | | | | |
|---|---------------------------|------------------------|---------------------------|--------------------------|
| 1 | Pumpe type | Single-/Multi-pump set | Fluid | Water, pure |
| 2 | No. of pumps | 2 | Operating temperature t A | °C 4 |
| 3 | Nominal flow | m ³ /h 0 | pH-value at t A | 7 |
| 4 | Nominal head | m 0 | Density at t A | kg/m ³ 1000 |
| 5 | Static head | m 0 | Vapor pressure at t A | kPa 100 |
| 6 | Inlet pressure | kPa 0 | Kin. viscosity at t A | mm ² /s 1.569 |
| 7 | Environmental temperature | °C 20 | Altitude | 0 |
| 8 | Available system NPSH | m 0 | | |

Pump data

| | | |
|----|-----------------------|-------------------|
| 9 | Product version | [X] - Hydrovar X+ |
| 10 | Operating speed | 3600 rpm |
| 11 | Stages | 7 |
| 12 | Max. working pressure | kPa 1551.5 |
| 13 | Head H(Q=0) | m 160 |
| 14 | Max. shaft power | kW 27.5 |
| 15 | Shaft power | kW |
| 16 | Power input | kW |
| 17 | Efficiency | % |
| 18 | Overall efficiency | % |
| 19 | NPSH 3% | m |
| 20 | Total weight | kg 390.0 |
| 21 | | |

Materials

| Pump | | Options | |
|------|-------------------------|-----------------------------------|--|
| 23 | Manifolds | Stainless steel, 1.4301, AISI 304 | GHV Non-return valve |
| 24 | On-off valves ball type | Nickel-plated brass | Additional Card |
| 25 | Non-return valves | Brass | Analog Device |
| 26 | Pressure switches | Galvanized steel/AISI 301 | Condensation Resistance |
| 27 | Pressure trasmitters | AISI 304L & AISI 316L | Control Devices Oversized |
| 28 | Caps/plugs | AISI 304 or superior | Control Panel |
| 29 | Sliding/Blind flanges | Galvanized steel | Control Panel cloud connection |
| 30 | Welded flanges | Stainless steel, 1.4301, AISI 304 | Control Panel Position |
| 31 | Fittings | Stainless steel, 1.4401, AISI 316 | Control Panel Protection Degree |
| 32 | Bracket | Galvanized steel/painted steel | DACH - Control Panel mounted on |
| 33 | Base | Painted steel | DACH - Optical sensor for lack/presence of water |
| 34 | | | Control Panel Options |
| 35 | | | Delivery Side |
| 36 | | | Double Pressure Transmitter |
| 37 | | | Electric Pump Special Seals |
| 38 | | | Emergency |
| 39 | | | High Pressure Protection |
| 40 | | | N.A. |
| 41 | | | N.A. |
| | | | Phase Missing |

Motor data

| | | | | |
|----|-----------------|-----------------------|------------------|--------------------------------|
| 42 | Manufacturer | Lowara e-XM | | N.A. |
| 43 | Specific design | IE5 Three phase motor | | Protection Against Dry Running |
| 44 | Type | EXM160B5/4.110CH2 | | Pump Test |
| 45 | Rated power | 11 kW | Rated current | 20.3 A |
| 46 | Nominal speed | 3600 rpm | Rated voltage | 380 V |
| 47 | Frame size | 160 | Motor efficiency | % 89.7 |
| 48 | Weight | kg 51.6 | Power factor | 0.93 |
| | | | | Suction Side |
| | | | | Timer |

Remarks

| | |
|----|--|
| 49 | |
| 50 | |
| 50 | |
| 52 | |

GHV20/22SVX07F110/4

Performance curve

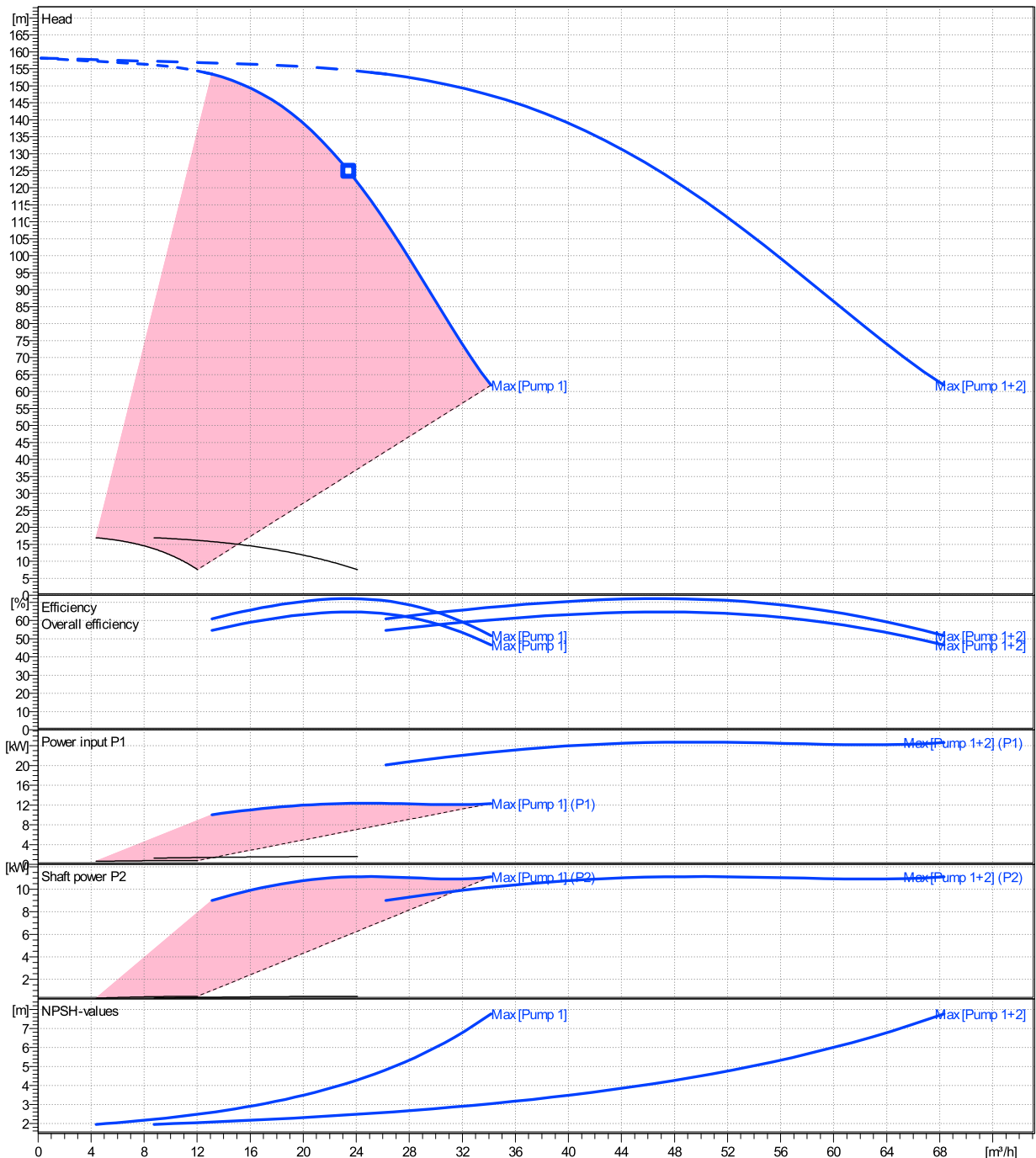
Company name
Contact
Phone number
e-mail address

| Ø | Pump capacity | | | Pump head | | Frequency | Hz | 50/60 |
|------|-----------------|-----------|-----------|-----------|-----|-----------------|------|-------|
| | Operating range | η | η | H(Q=0) | η | | | |
| | Min. m³/h | Max. m³/h | Max. m³/h | m | m | Operating speed | rpm | |
| Max. | 13.1 | 34.2 | 23.5 | 158 | 125 | Nominal flow | m³/h | 0 |
| | | | | | | Nominal head | m | 0 |
| | | | | | | Inlet pressure | kPa | 0 |
| | | | | | | Static head | m | 0 |

Power datas referred to:

Water, pure [100%] ; 4°C; 1000kg/m³; 1.57mm²/s

hydr. Performance acceptance acc. To EN ISO 9906 Class

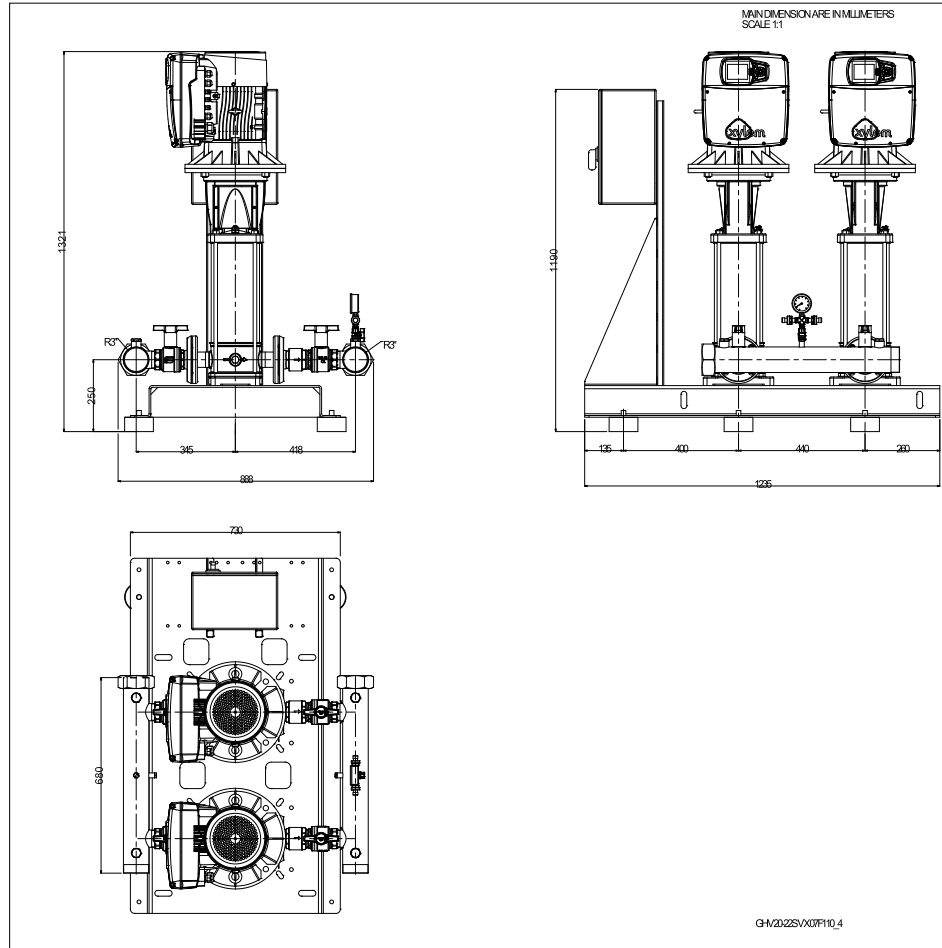


GHV20/22SVX07F110/4

Dimensions

Company name
Contact
Phone number
e-mail address

[X] - Hydrovar X+
EXM160B5/4.110CH2



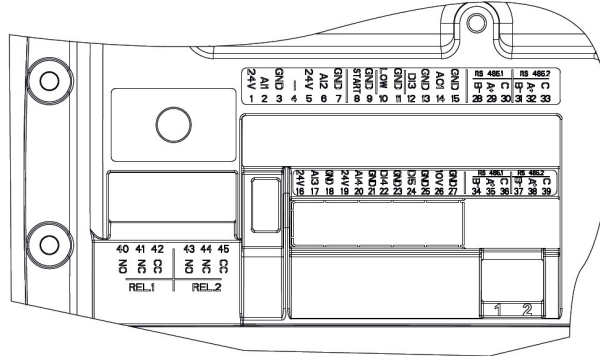
| Dimensions [mm] | |
|-------------------|--------|
| A | 345 |
| B | 418 |
| C | 888 |
| DNA | R 3" |
| DNM | R 3" |
| H | 250 |
| H2 | 1320 |
| Weight | |
| Total weight | 390 kg |

Dimensions and weight without obligation

| | | | | | |
|---------|---------------------|------------|-----------|-------------|-----------|
| Project | Xylect-22325733 | Created by | | Last update | 5/21/2024 |
| Block | GHV20/22SVX07F110/4 | Created on | 5/21/2024 | | |

Technical data

Company name
Contact
Phone number
e-mail address



| REF. | ITEM | DESCRIPTION | DEFAULT |
|------|------------------------|---|-------------------|
| 1 | | Power supply +24 VDC, max. 60mA (total, terminals 1 + 5) | |
| 2 | Analog Input 1 | Configurable Analog Input 1 | Pressure Sensor 1 |
| 3 | | Electronic GND | |
| 4 | Not used | Internal use - Do not connect | |
| 5 | | Power supply +24 VDC, max. 60mA (total, terminals 1 + 5) | |
| 6 | Analog Input 2 | Configurable Analog Input 2 | Not used |
| 7 | | Electronic GND | |
| 8 | External Start/Stop | Start/Stop digital input, +24 VDC internal pull-up, 6mA contact current | - |
| 9 | | Electronic GND | |
| 10 | External Lack of Water | Low water digital input, +24 VDC internal pull-up, 6mA contact current | - |
| 11 | | Electronic GND | |
| 12 | Digital Input 3 | Configurable Digital Input 3, +24 VDC internal pull-up, 6mA contact current | Solo Run |
| 13 | | Electronic GND | |
| 14 | Analog Output | Configurable Analog Output | Motor Speed |
| 15 | | Electronic GND | |
| 16 | | Power supply +24 VDC, max. 60mA (total, terminals 16 and 19) | |
| 17 | Analog Input 3 | Configurable Analog Input 3 | Not used |
| 18 | | Electronic GND | |
| 19 | | Power supply +24 VDC, max. 60mA (total, terminals 16 and 19) | |
| 20 | Analog Input 4 | Configurable Analog Input 4 | Not used |
| 21 | | Electronic GND | |
| 22 | Digital Input 4 | Configurable Digital Input 4, +24 VDC internal pull-up, 6mA contact current | Not used |
| 23 | | Electronic GND | |
| 24 | Digital Input 5 | Configurable Digital Input 5, +24 VDC internal pull-up, 6mA contact current | Not used |
| 25 | | Electronic GND | |
| 26 | 10 VDC supply | Power supply +10 VDC, max. 3mA | - |
| 27 | | Electronic GND | |
| 28 | | RS485 port 1 : RS485-1B N (-) | |
| 29 | Communication bus 1 | RS485 port 1 : RS485-1A P (+) | Multipump |
| 30 | | RS485 port 1 : RS485-COM | |
| 31 | | RS485 port 2 : RS485-2B N (-) | |
| 32 | Communication bus 2 | RS485 port 2 : RS485-2A P (+) | Modbus |
| 33 | | RS485 port 2 : RS485-COM | |
| 34 | | RS485 port 1 : RS485-1B N (-) | |
| 35 | Communication bus 1 | RS485 port 1 : RS485-1A P (+) | Multipump |
| 36 | | RS485 port 1 : RS485-COM | |
| 37 | | RS485 port 2 : RS485-2B N (-) | |
| 38 | Communication bus 2 | RS485 port 2 : RS485-2A P (+) | Modbus |
| 39 | | RS485 port 2 : RS485-COM | |
| 40 | | Configurable relay 1: Normally Open | |
| 41 | Relay 1 | Configurable relay 1: Normally Closed | Running |
| 42 | | Configurable relay 1: Common Contact | |
| 43 | | Configurable relay 2: Normally Open | |
| 44 | Relay 2 | Configurable relay 2: Normally Closed | Error |
| 45 | | Configurable relay 2: Common Contact | |