

GHV20/15SVX07F075/4

Technical data

Company name
Contact
Phone number
e-mail address

Operating data

1	Pumpe type	Single-/Multi-pump set	Fluid	Water, pure
2	No. of pumps	2	Operating temperature t A	°C 4
3	Nominal flow	m ³ /h 0	pH-value at t A	7
4	Nominal head	m 0	Density at t A	kg/m ³ 1000
5	Static head	m 0	Vapor pressure at t A	kPa 100
6	Inlet pressure	kPa 0	Kin. viscosity at t A	mm ² /s 1.569
7	Environmental temperature	°C 20	Altitude	0
8	Available system NPSH	m 0		

Pump data

9	Product version	[X] - Hydrovar X+
10	Operating speed	3600 rpm
11	Stages	7
12	Max. working pressure	kPa 1485.6
13	Head H(Q=0)	m 150
14	Max. shaft power	kW 18.4
15	Shaft power	kW
16	Power input	kW
17	Efficiency	%
18	Overall efficiency	%
19	NPSH 3%	m
20	Total weight	kg 280.0
21		

Materials

Pump		Options	
23	Manifolds	Stainless steel, 1.4301, AISI 304	GHV Non-return valve
24	On-off valves ball type	Nickel-plated brass	Additional Card
25	Non-return valves	Brass	Analog Device
26	Pressure switches	Galvanized steel/AISI 301	Condensation Resistance
27	Pressure trasmitters	AISI 304L & AISI 316L	Control Devices Oversized
28	Caps/plugs	AISI 304 or superior	Control Panel
29	Sliding/Blind flanges	Galvanized steel	Control Panel cloud connection
30	Welded flanges	Stainless steel, 1.4301, AISI 304	Control Panel Position
31	Fittings	Stainless steel, 1.4401, AISI 316	Control Panel Protection Degree
32	Bracket	Galvanized steel/painted steel	DACH - Control Panel mounted on
33	Base	Painted steel	DACH - Optical sensor for lack/presence of water
34			Control Panel Options
35			Delivery Side
36			Double Pressure Transmitter
37			Electric Pump Special Seals
38			Emergency
39			High Pressure Protection
40			N.A.
41			N.A.
			Phase Missing

Motor data

42	Manufacturer	Lowara e-XM		N.A.
43	Specific design	IE5 Three phase motor		Protection Against Dry Running
44	Type	EXM132B5/4.075CH2		Pump Test
45	Rated power	7.5 kW	Rated current	14.4 A
46	Nominal speed	3600 rpm	Rated voltage	380 V
47	Frame size	132	Motor efficiency	% 90.8
48	Weight	kg 41.4	Power factor	0.85
				Suction Side
				Timer

Remarks

49	
50	
50	
52	

GHV20/15SVX07F075/4

Performance curve

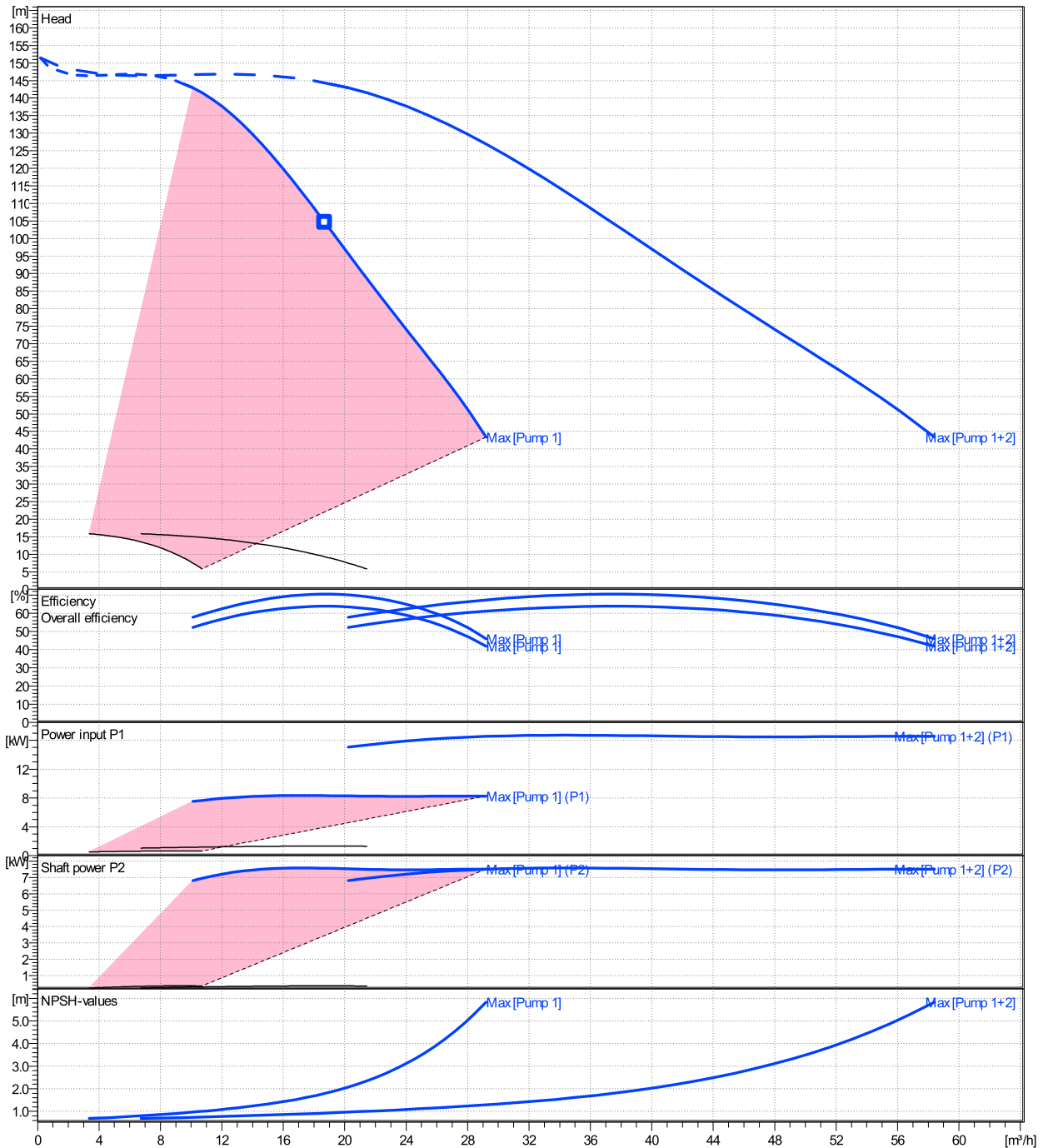
Company name
Contact
Phone number
e-mail address

Ø	Pump capacity			Pump head		Frequency	Hz	50/60
	Operating range	η	η	H(Q=0)	η			
	Min. m³/h	Max. m³/h	Max. m³/h	m	m	Operating speed	rpm	
Max.	10.1	29.2	18.7	151	105	Nominal flow	m³/h	0
						Nominal head	m	0
						Inlet pressure	kPa	0
						Static head	m	0

Power datas referred to:

hydr. Performance acceptance acc. To EN ISO 9906 Class

Water, pure [100%] ; 4°C; 1000kg/m³; 1.57mm²/s

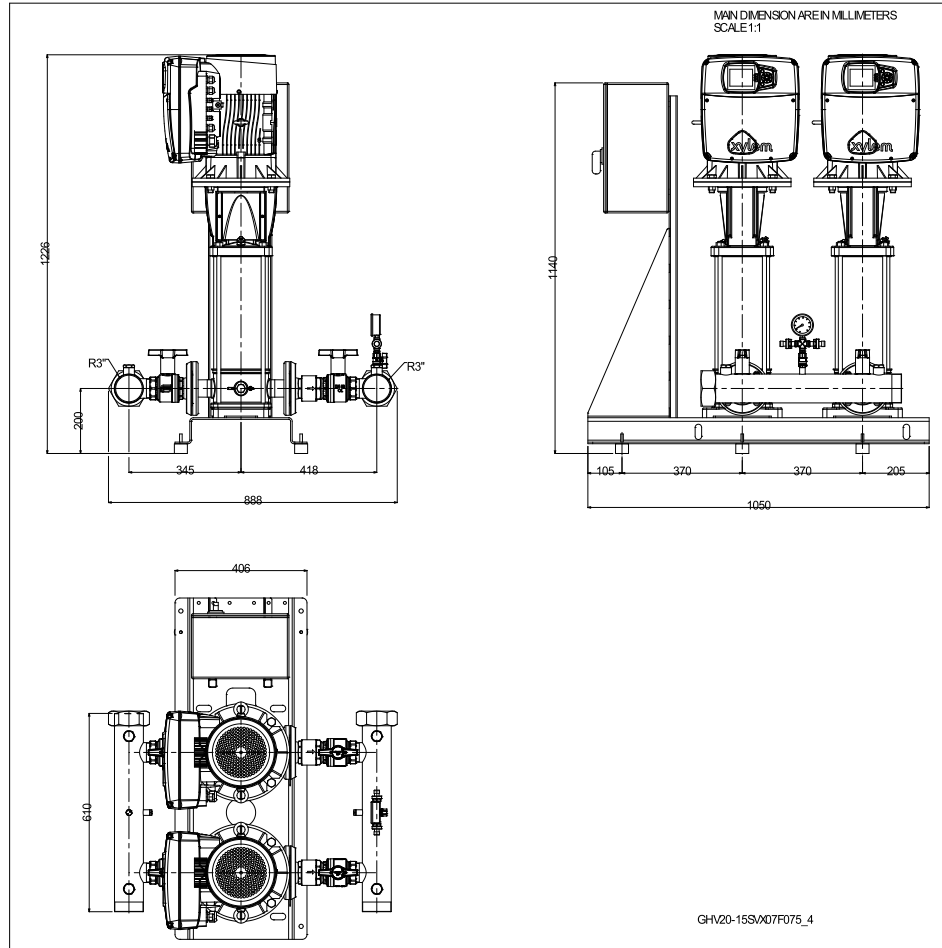


GHV20/15SVX07F075/4

Dimensions

Company name
Contact
Phone number
e-mail address

[X] - Hydrovar X+
EXM132B5/4.075CH2



Dimensions [mm]	
A	345
B	418
C	888
DNA	R 3"
DNM	R 3"
H	200
H2	1227
Weight	
Total weight	280 kg

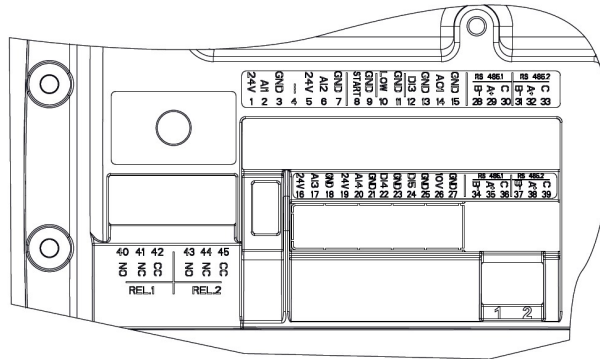
Dimensions and weight without obligation

Project	Xylect-22325508	Created by		Last update	5/21/2024
Block	GHV20/15SVX07F075/4	Created on	5/21/2024		

GHV20/15SVX07F075/4

Technical data

Company name
Contact
Phone number
e-mail address



REF.	ITEM	DESCRIPTION	DEFAULT
1		Power supply +24 VDC, max. 60mA (total, terminals 1 + 5)	
2	Analog Input 1	Configurable Analog Input 1	Pressure Sensor 1
3		Electronic GND	
4	Not used	Internal use - Do not connect	
5		Power supply +24 VDC, max. 60mA (total, terminals 1 + 5)	
6	Analog Input 2	Configurable Analog Input 2	Not used
7		Electronic GND	
8	External Start/Stop	Start/Stop digital input, +24 VDC internal pull-up, 6mA contact current	-
9		Electronic GND	
10	External Lack of Water	Low water digital input, +24 VDC internal pull-up, 6mA contact current	-
11		Electronic GND	
12	Digital Input 3	Configurable Digital Input 3, +24 VDC internal pull-up, 6mA contact current	Solo Run
13		Electronic GND	
14	Analog Output	Configurable Analog Output	Motor Speed
15		Electronic GND	
16		Power supply +24 VDC, max. 60mA (total, terminals 16 and 19)	
17	Analog Input 3	Configurable Analog Input 3	Not used
18		Electronic GND	
19		Power supply +24 VDC, max. 60mA (total, terminals 16 and 19)	
20	Analog Input 4	Configurable Analog Input 4	Not used
21		Electronic GND	
22	Digital Input 4	Configurable Digital Input 4, +24 VDC internal pull-up, 6mA contact current	Not used
23		Electronic GND	
24	Digital Input 5	Configurable Digital Input 5, +24 VDC internal pull-up, 6mA contact current	Not used
25		Electronic GND	
26	10 VDC supply	Power supply +10 VDC, max. 3mA	-
27		Electronic GND	
28		RS485 port 1 : RS485-1B N (-)	
29	Communication bus 1	RS485 port 1 : RS485-1A P (+)	Multipump
30		RS485 port 1 : RS485-COM	
31		RS485 port 2 : RS485-2B N (-)	
32	Communication bus 2	RS485 port 2 : RS485-2A P (+)	Modbus
33		RS485 port 2 : RS485-COM	
34		RS485 port 1 : RS485-1B N (-)	
35	Communication bus 1	RS485 port 1 : RS485-1A P (+)	Multipump
36		RS485 port 1 : RS485-COM	
37		RS485 port 2 : RS485-2B N (-)	
38	Communication bus 2	RS485 port 2 : RS485-2A P (+)	Modbus
39		RS485 port 2 : RS485-COM	
40		Configurable relay 1: Normally Open	
41	Relay 1	Configurable relay 1: Normally Closed	Running
42		Configurable relay 1: Common Contact	
43		Configurable relay 2: Normally Open	
44	Relay 2	Configurable relay 2: Normally Closed	Error
45		Configurable relay 2: Common Contact	