

LNEE 32-160/15/S25RCS4

Technical data

Company name
Contact
Phone number
e-mail address

Operating data					
1	Pumpe type	Single head pump		Fluid	Water, pure
2	No. of pumps	1		Operating temperature t A	°C 4
3	Nominal flow	m ³ /h	0	Max / Min Operating Temperature mech. Seal	°C 120 / -25
4	Nominal head	m	0	pH-value at t A	7
5	Static head	m	0	Density at t A	kg/m ³ 1000
6	Inlet pressure	kPa	0	Kin. viscosity at t A	mm ² /s 1.569
7	Environmental temperature	°C	20	Vapor pressure at t A	kPa 100
8	Available system NPSH	m	0	Altitude	0

Pump data					
9	Lubrication	Standard, Grease lubrication [Std]			
10	Execution				
11	Design	In-Line single head		Impeller Ø	Max. mm 156
12	Operating speed	2900 rpm	Stages 1		designed mm 126
13	Suction nozzle	DN 32 /	PN 16 /	EN1092-2	Min. mm 92
14	Discharge nozzle	DN 32 /	PN 16 /	EN1092-2	Flow
15	Max. casing pressure	kPa			
16	Max. working pressure	kPa	207.2		Max- m ³ /h 22.4
17	Impeller type	Radial impeller		Head	Min- m ³ /h 3.3
18	Head H(Q=0)	m	21		Nominal m
19	Max. shaft power	kW	1.5		at Qmax m 12.9
20	Pump weight	kg			at Qmin m 21.4
21	Total weight	kg	33.0		Shaft power kW
					Efficiency %
					NPSH 3% m

Materials					
22		Pump		Shaft Seal	
23	Volute Casing	Cast iron		Single mechanical seal, without shaft sleeve	
24	Casing Cover	Cast iron		eMG12 - Ø14mm	BQ7EGG-WA
25	Impeller	Stainless steel / AISI 304		Mechanical seal diameter	14 mm
26	Stub shaft	Stainless steel / AISI 316L		1. Rotating ring	Carbon graphite resin impregnated
27	Wear ring	Stainless steel / AISI 304		2. Stationary ring	SiC, silicon carbide, sintered press.less
28	Impeller lock nut and washer	Stainless steel / AISI 304		3. Secondary seal	Ethylene propylene rubber (EPDM)
29	Impeller key	Stainless steel / AISI 316L		4. Springs	CrNiMo - Steel
30	Fill and drain plugs	Nickel-plated brass		5. Others	EPDM - WRAS
31				Gaskets of the pump	Ethylene propylene rubber (EPDM)
32					
33					
34					
35					
36					
37					
38					
39					
40					
41					

Motor data					
42	Manufacturer	Lowara			
43	Specific design	IE3 3ph Flange Motor			
44	Type	SM 90R B14 1,5 kW			
45	Rated power	1.5 kW	Rated current	5.49 A	
46	Nominal speed	2870 rpm	Rated voltage	230 V	
47	Frame size	90R	Service factor	1	
48	Weight	kg 13.4	Degree of protection	IP55	

Remarks					
49					
50					
50					
52					

LNEE 32-160/15/S25RCS4

Performance curve

Company name
Contact
Phone number
e-mail address

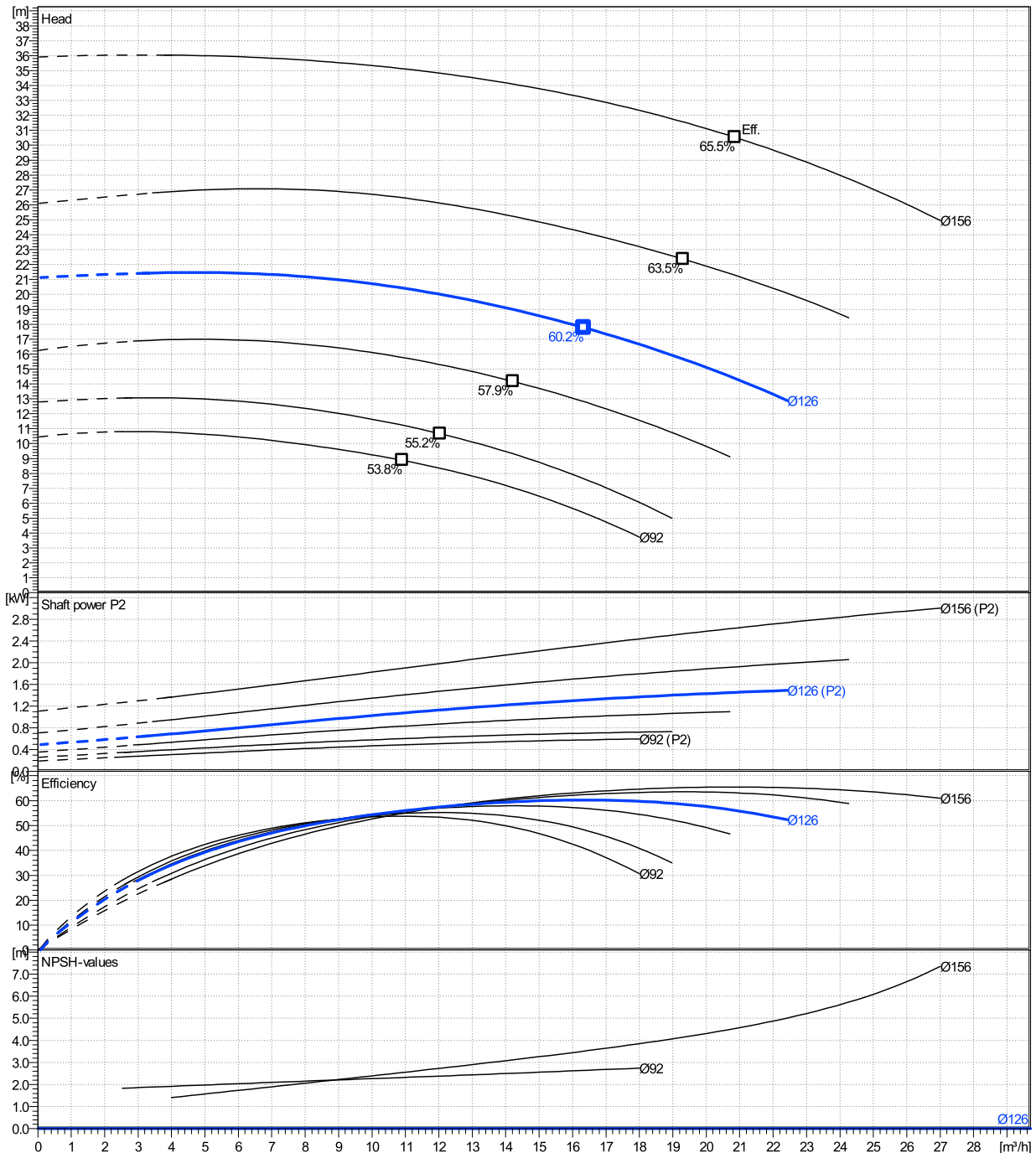
	Ø mm	Pump capacity Operating range			Pump head		Shaft power P2			Frequency		Hz	50
		Min. m³/h	Max. m³/h	η Max. m³/h	H(Q=0) m	η Max. m	P2(Q=0) kW	Max. kW	η Max. kW	Operating speed rpm	Nominal flow m³/h		
actual	126	3.32	22.4	16.3	21.1	17.8	1.49	1.32				2900	
Min.	0	/	/	10.9	10.4	8.88	/	0.491				0	
Max.	156	/	/	20.9	35.9	30.5	/	2.64				0	

Power datas referred to:

hydr. Performance acceptance acc. To EN ISO 9906 Class Grade 3B

Water, pure [100%] ; 4°C; 1000kg/m³; 1.57mm²/s

MEI: N.A - according to Ecodesign Directive 2009/125/EC and Regulation (EU) No.547/2012



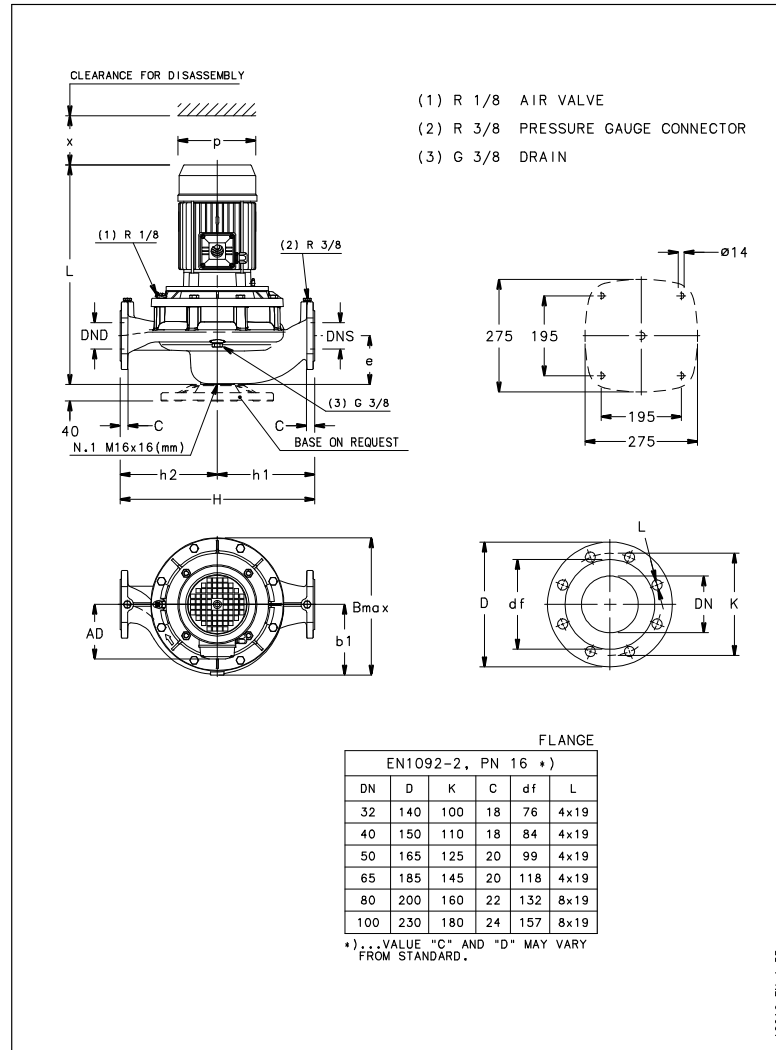
LNEE 32-160/15/S25RCS4

Dimensions

Company name
Contact
Phone number
e-mail address

Close coupled

SM 90R B14 1,5 kW



Dimensions [mm]

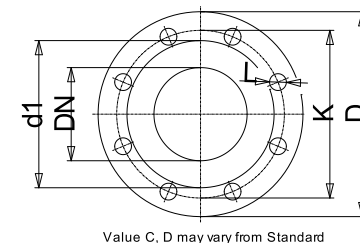
AD	129
b1	123
Bmax	249
DND	32
DNS	32
e	90
H	320
h1	160
h2	160
L	453
p	155
x	75

Weight

Total weight	33 kg
--------------	-------

Connections

Suction nozzle		Discharge nozzle	
DN 32		DN 32	
PN 16		PN 16	
EN1092-2		EN1092-2	
C	18	C	18
D	140	D	140
df	76	df	76
DN	32	DN	32
K	100	K	100
L	4 x 19	L	4 x 19



Dimensions and weight without obligation

Project	Xylect-20919266
Block	LNEE 32-160/30/P25RCS4

Created by	
Created on	7/27/2023

Last update 7/27/2023