

LNTE 100-160/185/P25VCC4

Technical data

Company name
Contact
Phone number
e-mail address

Operating data				
1	Pumpe type	Single head pump	Fluid	Water, pure
2	No. of pumps	1	Operating temperature t A	°C 4
3	Nominal flow	m³/h 0	Max / Min Operating Temperature mech. Seal	°C 120 / -25
4	Nominal head	m 0	pH-value at t A	7
5	Static head	m 0	Density at t A	kg/m³ 1000
6	Inlet pressure	kPa 0	Kin. viscosity at t A	mm²/s 1.569
7	Environmental temperature	°C 20	Vapor pressure at t A	kPa 100
8	Available system NPSH	m 0	Altitude	0

Pump data				
9	Lubrication	Standard, Grease lubrication [Std]		
10	Execution	2 poles motor		
11	Design	In-Line single twin head		
12	Operating speed	2900 rpm	Stages	1
13	Suction nozzle	DN 100 / PN 16 / EN1092-2	Impeller Ø	Max. mm 177
14	Discharge nozzle	DN 100 / PN 16 / EN1092-2		designed mm 168
15	Max. casing pressure	kPa	Flow	Min. mm 144
16	Max. working pressure	kPa 361.7		Nominal m³/h
17	Impeller type	Radial impeller		Max- m³/h 203.4
18	Head H(Q=0)	m 37	Head	Min- m³/h 46.2
19	Max. shaft power	kW 18.4		Nominal m
20	Pump weight	kg	at Qmax m 21	at Qmin m 35.7
21	Total weight	kg 339.0	Shaft power kW	Efficiency %
			NPSH 3%	m

Materials				
22		Pump	Shaft Seal	
23	Volute Casing	Cast Iron	Single mechanical seal, without shaft sleeve	
24	Casing Cover	Cast Iron	eMG12 - Ø28mm	BQ7EGG-WA
25	Impeller	Cast iron / ASTM Class 30	Mechanical seal diameter	28 mm
26	Stub shaft	Stainless steel / AISI 316L	1. Rotating ring	Carbon graphite resin impregnated
27	Wear ring	Stainless steel / AISI 304	2. Stationary ring	SiC, silicon carbide, sintered press.less
28	Impeller lock nut and washer	Stainless steel / AISI 304	3. Secondary seal	Ethylene propylene rubber (EPDM)
29	Impeller key	Stainless steel / AISI 316L	4. Springs	CrNiMo - Steel
30	Fill and draing plugs	Nickel-plated brass	5. Others	EPDM - WRAS
31			Gaskets of the pump	Ethylene propylene rubber (EPDM)
32				
33				
34				
35				
36				
37				
38				
39				
40				
41				

Motor data				
Electrical and dimensional data refer to IE3 motor				
42	Manufacturer	Lowara		
43	Specific design	IE3 3ph Flange Motor		
44	Type	PLM 160 B14 18,5 kW		
45	Rated power	18.5 kW	Rated current	32.7 A
46	Nominal speed	2940 rpm	Rated voltage	400 V
47	Frame size	160	Service factor	1
48	Weight	kg 121.2	Degree of protection	IP55

Remarks				
49				
50				
50				
52				

LNTE 100-160/185/P25VCC4

Performance curve

Company name
Contact
Phone number
e-mail address

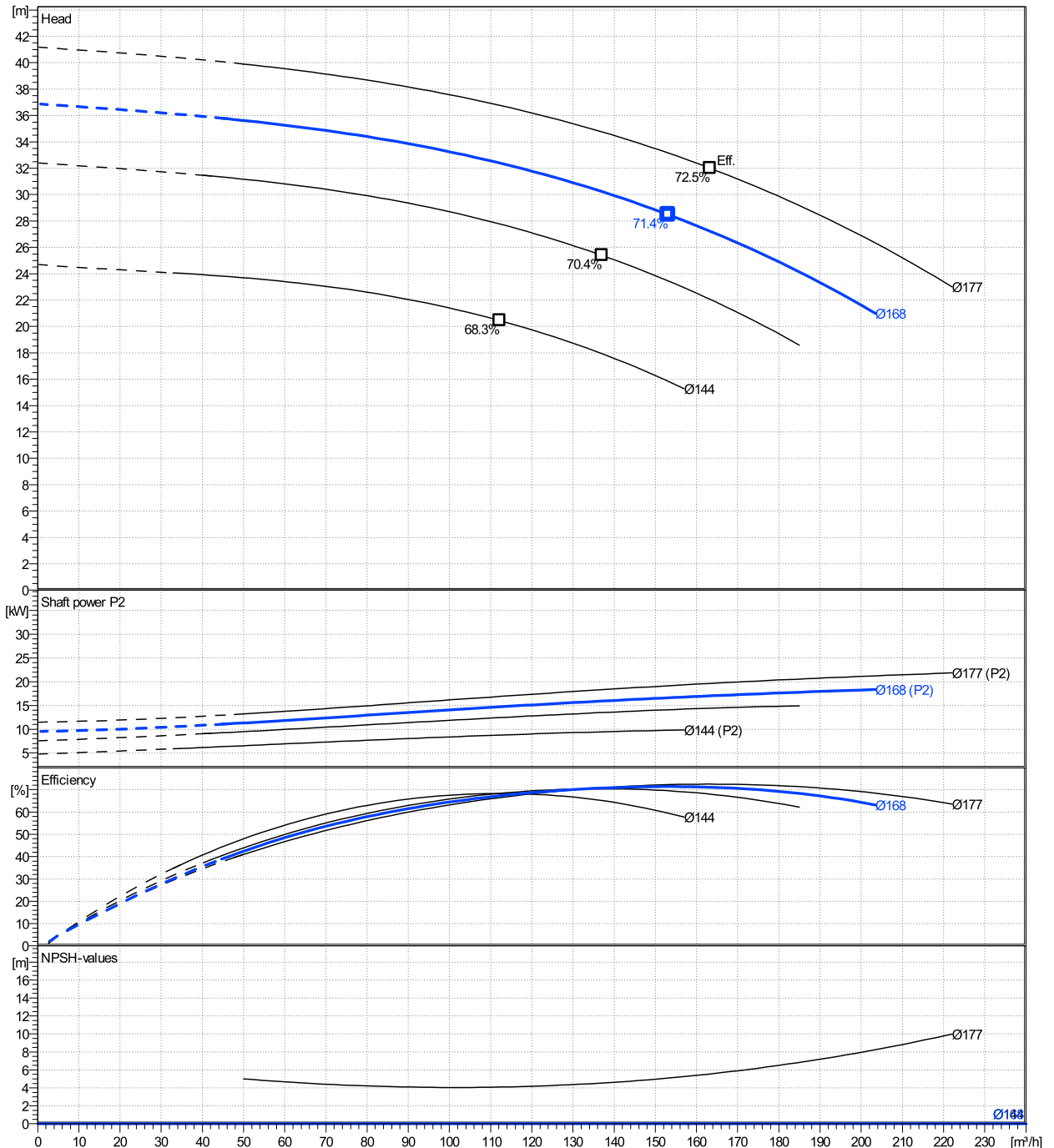
	Ø mm	Pump capacity			Pump head		Shaft power P2			Frequency		Hz	50
		Operating range Min. m³/h	Max. m³/h	η Max. m³/h	H(Q=0) m	η Max. m	P2(Q=0) kW	Max. kW	η Max. kW	Operating speed rpm	2900		
actual	168	46.2	203	153	36.9	28.5		18.4	16.6	Nominal flow	m³/h	0	
Min.	0	/	/	112	24.7	20.4		/	8.77	Nominal head	m	0	
Max.	177	/	/	163	41.2	32		/	19.6	Inlet pressure	kPa	0	
										Static head	m	0	

Power datas referred to:

hydr. Performance acceptance acc. To EN ISO 9906 Class Grade 3B

Water, pure [100%] ; 4°C; 1000kg/m³; 1.57mm²/s

MEI: N.A - according to Ecodesign Directive 2009/125/EC and Regulation (EU) No.547/2012



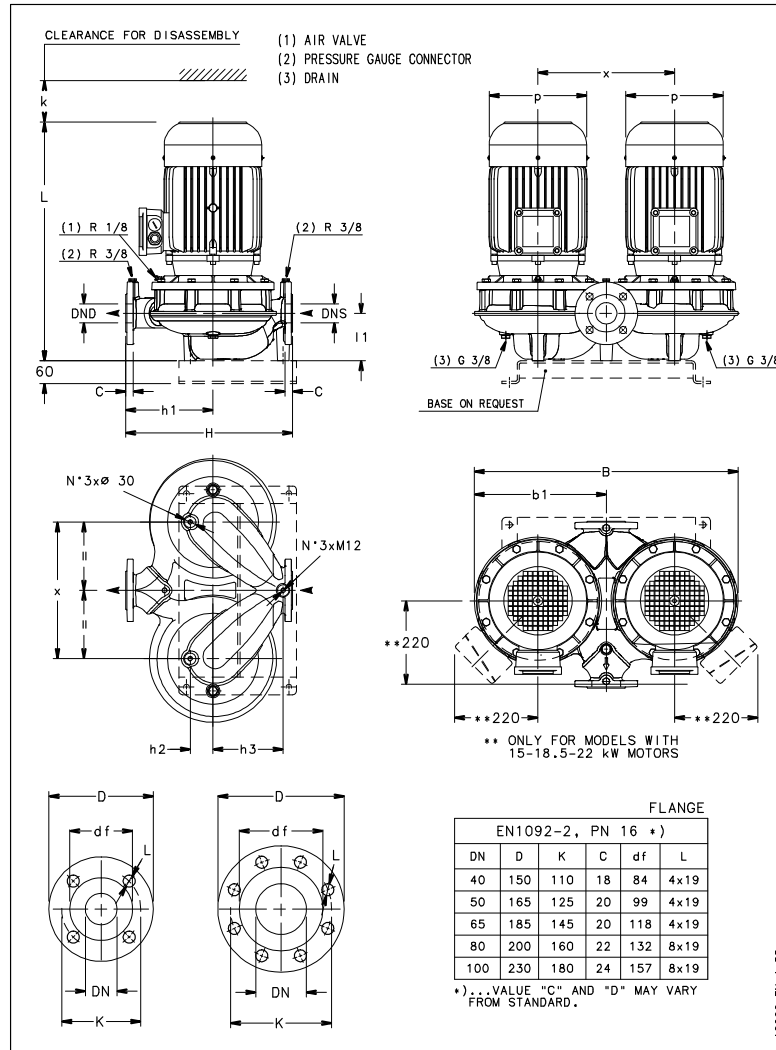
LNTE 100-160/185/P25VCC4

Dimensions

Company name
Contact
Phone number
e-mail address

Close coupled
2 poles motor
PLM 160 B14 18,5 kW

Electrical and dimensional data refer to IE3 motor



Dimensions [mm]

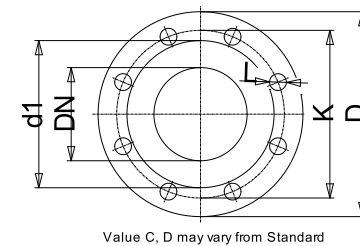
B	748
b1	374
DND	100
DNS	100
H	500
h1	280
h2	87
h3	125
k	123
L	757
l1	158
p	313
x	410

Weight

Total weight	339 kg
---------------------	---------------

Connections

Suction nozzle		Discharge nozzle	
DN 100		DN 100	
PN 16		PN 16	
EN1092-2		EN1092-2	
C	24	C	24
D	230	D	230
df	157	df	157
DN	100	DN	100
K	180	K	180
L	8 x 19	L	8 x 19



Dimensions and weight without obligation

Project	Xylect-20969550
Block	LNTE 100-160/220/P25VCC4

Created by
Created on 8/8/2023

Last update 8/8/2023