

# LNTE 100-160/150/P25VCC4

## Technical data

Company name  
Contact  
Phone number  
e-mail address

Operating data						
1	Pumpe type	Single head pump		Fluid	Water, pure	
2	No. of pumps	1		Operating temperature t A	°C	4
3	Nominal flow	m <sup>3</sup> /h	0	Max / Min Operating Temperature mech. Seal	°C	120 / -25
4	Nominal head	m	0	pH-value at t A		7
5	Static head	m	0	Density at t A	kg/m <sup>3</sup>	1000
6	Inlet pressure	kPa	0	Kin. viscosity at t A	mm <sup>2</sup> /s	1.569
7	Environmental temperature	°C	20	Vapor pressure at t A	kPa	100
8	Available system NPSH	m	0	Altitude		0

Pump data						
9	Lubrication	Standard, Grease lubrication [Std]				
10	Execution	2 poles motor				
11	Design	In-Line single twin head				Impeller Ø
12	Operating speed	2900 rpm	Stages	1		Max. mm 177
13	Suction nozzle	DN 100 /	PN 16 /	EN1092-2		designed mm 158
14	Discharge nozzle	DN 100 /	PN 16 /	EN1092-2		Min. mm 144
15	Max. casing pressure	kPa				Nominal m <sup>3</sup> /h
16	Max. working pressure	kPa	317.8			Max- m <sup>3</sup> /h 185
17	Impeller type	Radial impeller				Min- m <sup>3</sup> /h 42.2
18	Head H(Q=0)	m	32			Head at Qmax m 18.6
19	Max. shaft power	kW	14.9			at Qmin m 31.4
20	Pump weight	kg				Shaft power kW
21	Total weight	kg	317.0			Efficiency %
						NPSH 3% m

Materials					
Pump			Shaft Seal		
22					
23	Volute Casing	Cast Iron		Single mechanical seal, without shaft sleeve	
24	Casing Cover	Cast Iron		eMG12 - Ø28mm	BQ7EGG-WA
25	Impeller	Cast iron / ASTM Class 30		Mechanical seal diameter	28 mm
26	Stub shaft	Stainless steel / AISI 316L		1. Rotating ring	Carbon graphite resin impregnated
27	Wear ring	Stainless steel / AISI 304		2. Stationary ring	SiC, silicon carbide, sintered press.less
28	Impeller lock nut and washer	Stainless steel / AISI 304		3. Secondary seal	Ethylene propylene rubber (EPDM)
29	Impeller key	Stainless steel / AISI 316L		4. Springs	CrNiMo - Steel
30	Fill and draing plugs	Nickel-plated brass		5. Others	EPDM - WRAS
31				Gaskets of the pump	Ethylene propylene rubber (EPDM)
32					
33					
34					
35					
36					
37					
38					
39					
40					
41					

Motor data					
Electrical and dimensional data refer to IE3 motor					
42	Manufacturer	Lowara			
43	Specific design	IE3 3ph Flange Motor			
44	Type	PLM 160 B14 15 kW			
45	Rated power	15 kW	Rated current	26.6 A	
46	Nominal speed	2940 rpm	Rated voltage	400 V	
47	Frame size	160	Service factor	1	
48	Weight	kg 110.8	Degree of protection	IP55	

Remarks					
49					
50					
50					
52					

# LNTE 100-160/150/P25VCC4

## Performance curve

Company name  
Contact  
Phone number  
e-mail address

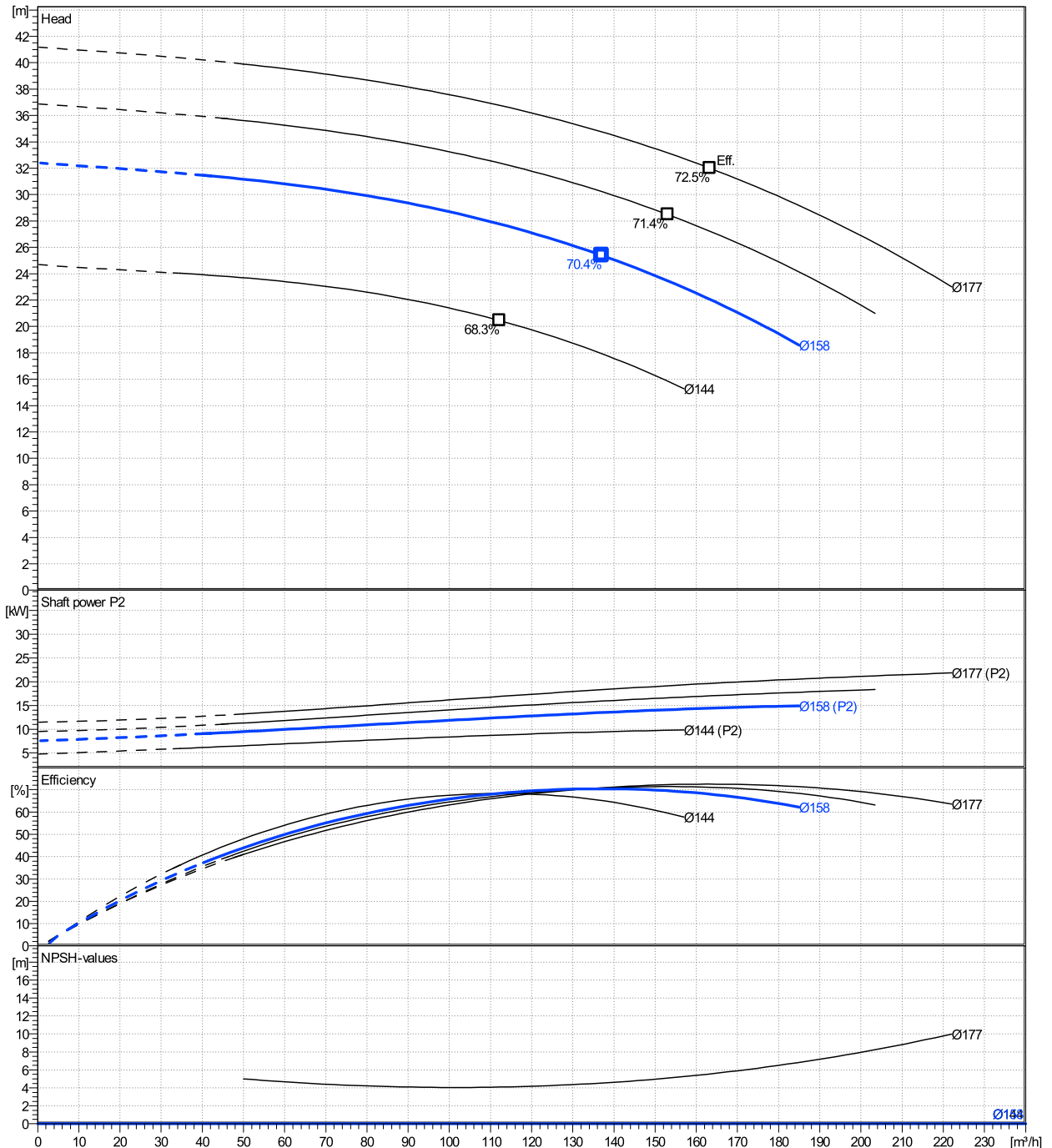
	Ø mm	Pump capacity			Pump head		Shaft power P2			Frequency		Hz	50
		Operating range Min. m³/h	Max. m³/h	η Max. m³/h	H(Q=0) m	η Max. m	P2(Q=0) kW	Max. kW	η Max. kW	Operating speed rpm	2900		
actual	158	42.1	185	137	32.4	25.4		14.9	13.5	Nominal flow	m³/h	0	
Min.	0	/	/	112	24.7	20.4		/	8.77	Nominal head	m	0	
Max.	177	/	/	163	41.2	32		/	19.6	Inlet pressure	kPa	0	
										Static head	m	0	

**Power datas referred to:**

hydr. Performance acceptance acc. To EN ISO 9906 Class Grade 3B

Water, pure [100%] ; 4°C; 1000kg/m³; 1.57mm²/s

MEI: N.A - according to Ecodesign Directive 2009/125/EC and Regulation (EU) No.547/2012



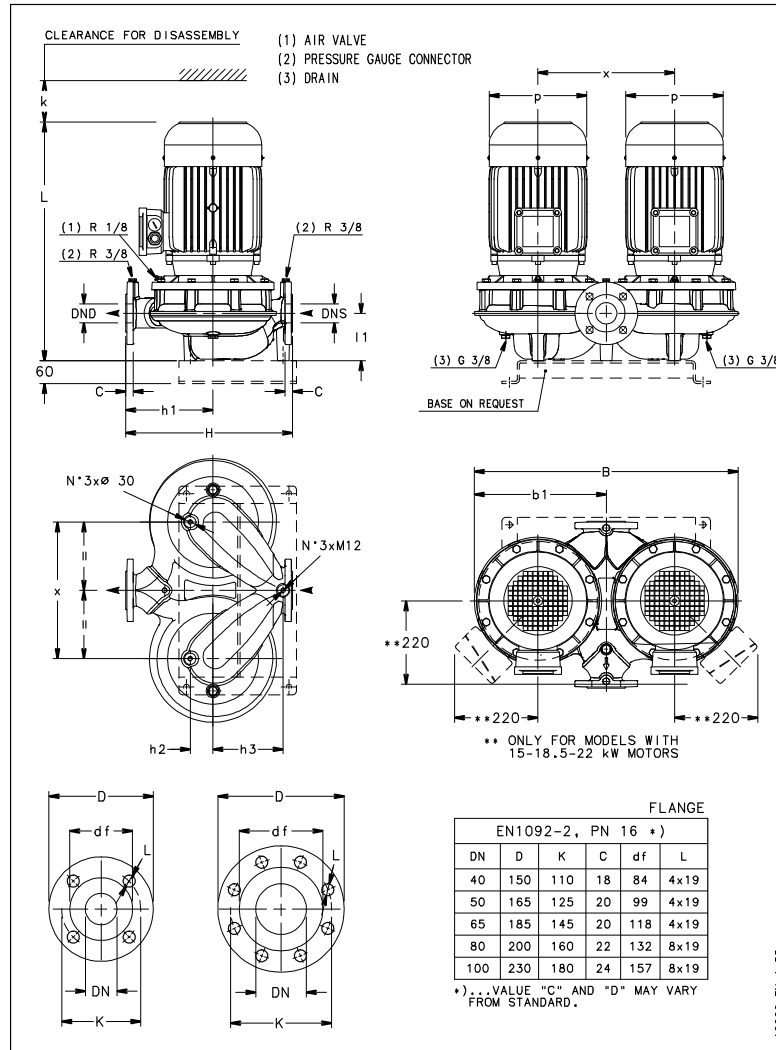
# LNTE 100-160/150/P25VCC4

## Dimensions

Company name  
Contact  
Phone number  
e-mail address

Close coupled  
2 poles motor  
PLM 160 B14 15 kW

Electrical and dimensional data refer to IE3 motor



### Dimensions [ mm ]

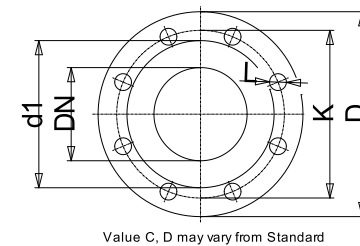
B	748
b1	374
DND	100
DNS	100
H	500
h1	280
h2	87
h3	125
k	123
L	757
l1	158
p	313
x	410

### Weight

<b>Total weight</b>	<b>317 kg</b>
---------------------	---------------

### Connections

Suction nozzle		Discharge nozzle	
DN 100		DN 100	
PN 16		PN 16	
EN1092-2		EN1092-2	
C	24	C	24
D	230	D	230
df	157	df	157
DN	100	DN	100
K	180	K	180
L	8 x 19	L	8 x 19



### Dimensions and weight without obligation

Project	Xylect-20969550
Block	LNTE 100-160/220/P25VCC4

Created by  
Created on 8/8/2023

Last update 8/8/2023