

# LNTE 80-160/150/P25VCC4

## Technical data

Company name  
Contact  
Phone number  
e-mail address

Operating data						
1	Pumpe type	Single head pump		Fluid	Water, pure	
2	No. of pumps	1		Operating temperature t A	°C	4
3	Nominal flow	m <sup>3</sup> /h	0	Max / Min Operating Temperature mech. Seal	°C	120 / -25
4	Nominal head	m	0	pH-value at t A		7
5	Static head	m	0	Density at t A	kg/m <sup>3</sup>	1000
6	Inlet pressure	kPa	0	Kin. viscosity at t A	mm <sup>2</sup> /s	1.569
7	Environmental temperature	°C	20	Vapor pressure at t A	kPa	100
8	Available system NPSH	m	0	Altitude		0

Pump data						
9	Lubrication	Standard, Grease lubrication [Std]				
10	Execution	2 poles motor				
11	Design	In-Line single twin head				Impeller Ø
12	Operating speed	2900 rpm	Stages	1		Max. mm 180
13	Suction nozzle	DN 80 /	PN 16 /	EN1092-2		designed mm 175
14	Discharge nozzle	DN 80 /	PN 16 /	EN1092-2		Min. mm 130
15	Max. casing pressure	kPa				Nominal m <sup>3</sup> /h
16	Max. working pressure	kPa	410.2			Max- m <sup>3</sup> /h 161
17	Impeller type	Radial impeller				Min- m <sup>3</sup> /h 34.5
18	Head H(Q=0)	m	42			Nominal m
19	Max. shaft power	kW	14.9			at Qmax m 20.4
20	Pump weight	kg				at Qmin m 41.2
21	Total weight	kg	305.0			Shaft power kW
						Efficiency %
						NPSH 3% m

Materials					
Pump			Shaft Seal		
22					
23	Volute Casing	Cast Iron		Single mechanical seal, without shaft sleeve	
24	Casing Cover	Cast Iron		eMG12 - Ø28mm	BQ7EGG-WA
25	Impeller	Cast iron / ASTM Class 30		Mechanical seal diameter	28 mm
26	Stub shaft	Stainless steel / AISI 316L		1. Rotating ring	Carbon graphite resin impregnated
27	Wear ring	Stainless steel / AISI 304		2. Stationary ring	SiC, silicon carbide, sintered press.less
28	Impeller lock nut and washer	Stainless steel / AISI 304		3. Secondary seal	Ethylene propylene rubber (EPDM)
29	Impeller key	Stainless steel / AISI 316L		4. Springs	CrNiMo - Steel
30	Fill and draing plugs	Nickel-plated brass		5. Others	EPDM - WRAS
31				Gaskets of the pump	Ethylene propylene rubber (EPDM)
32					
33					
34					
35					
36					
37					
38					
39					
40					
41					

Motor data					
Electrical and dimensional data refer to IE3 motor					
42	Manufacturer	Lowara			
43	Specific design	IE3 3ph Flange Motor			
44	Type	PLM 160 B14 15 kW			
45	Rated power	15 kW	Rated current	26.6 A	
46	Nominal speed	2940 rpm	Rated voltage	400 V	
47	Frame size	160	Service factor	1	
48	Weight	kg 110.8	Degree of protection	IP55	

Remarks					
49					
50					
50					
52					

# LNTE 80-160/150/P25VCC4

## Performance curve

Company name  
Contact  
Phone number  
e-mail address

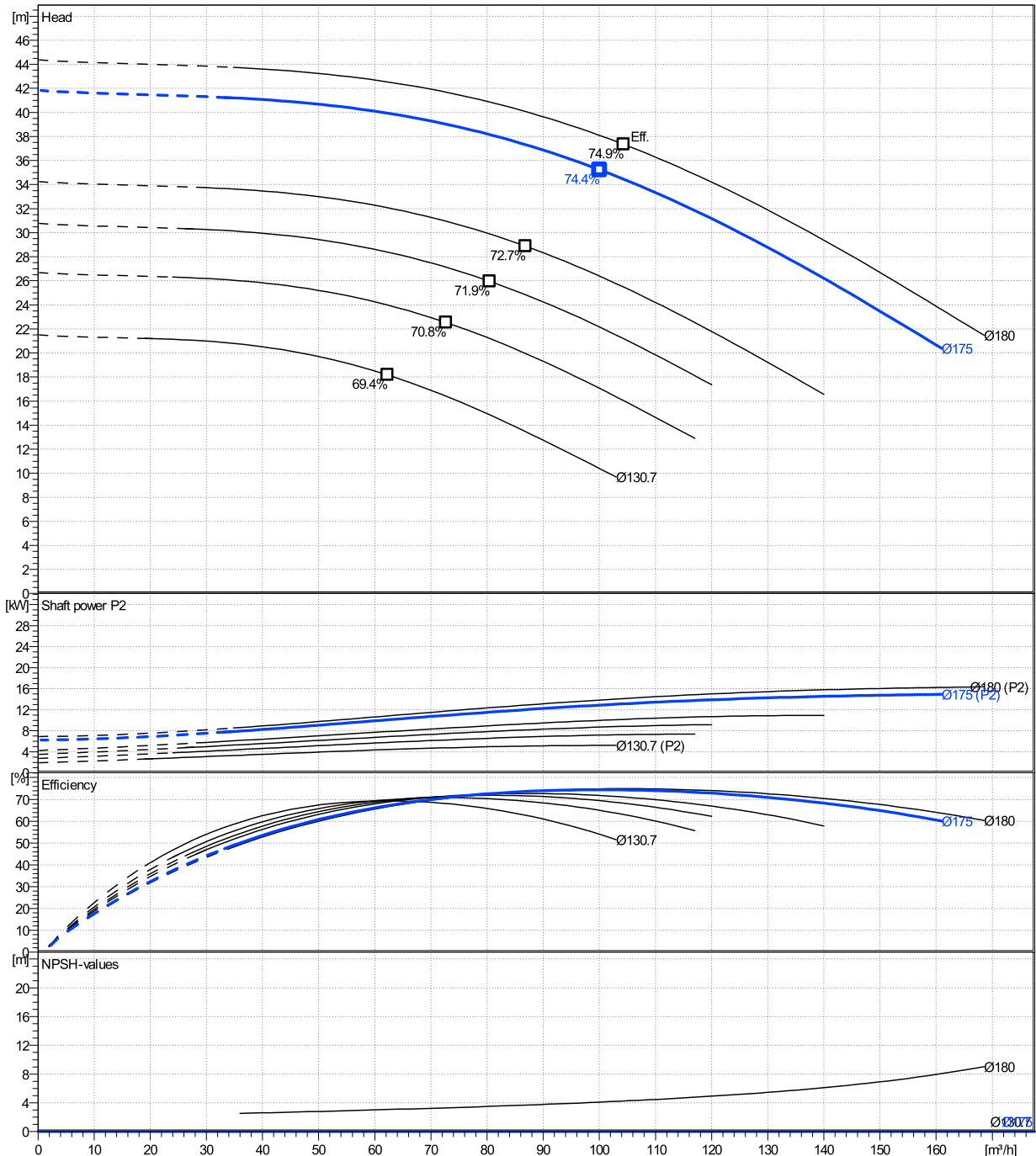
	Ø mm	Pump capacity			Pump head		Shaft power P2			Frequency	Hz	50
		Operating range Min. m³/h	Max. m³/h	η Max. m³/h	H(Q=0) m	η Max. m	P2(Q=0) kW	Max. kW	η Max. kW	Operating speed	rpm	2900
actual	175	34.5	161	100	41.8	35.2		14.9	12.9	Nominal flow	m³/h	0
Min.	0	/	/	62.3	21.5	18.2		/	4.43	Nominal head	m	0
Max.	180	/	/	104	44.4	37.3		/	14.1	Inlet pressure	kPa	0
										Static head	m	0

**Power datas referred to:**

hydr. Performance acceptance acc. To EN ISO 9906 Class Grade 3B

Water, pure [100%] ; 4°C; 1000kg/m³; 1.57mm²/s

MEI: N.A - according to Ecodesign Directive 2009/125/EC and Regulation (EU) No.547/2012



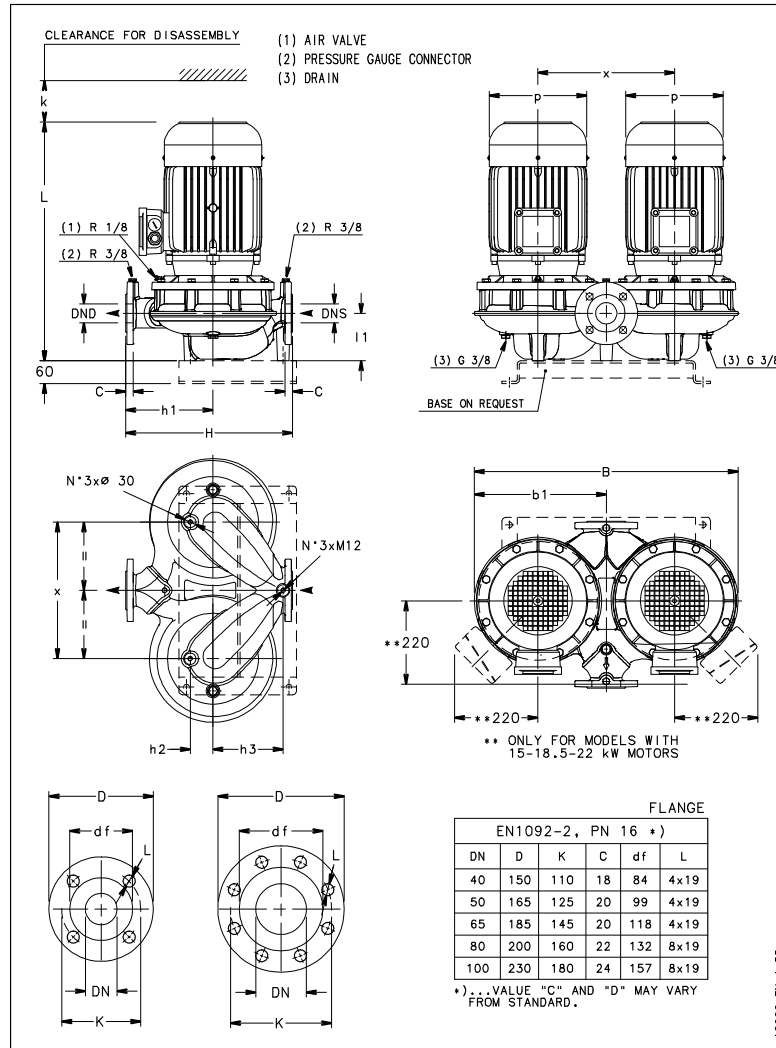
# LNTE 80-160/150/P25VCC4

## Dimensions

Company name  
Contact  
Phone number  
e-mail address

Close coupled  
2 poles motor  
PLM 160 B14 15 kW

Electrical and dimensional data refer to IE3 motor



### Dimensions [ mm ]

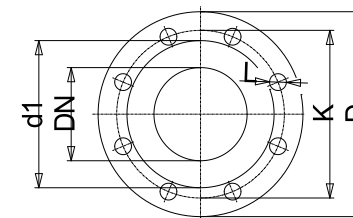
B	748
b1	374
DND	80
DNS	80
H	420
h1	235
h2	80
h3	110
k	111
L	727
L1	133
p	313
x	410

### Weight

Total weight	305 kg
--------------	--------

### Connections

Suction nozzle		Discharge nozzle	
DN 80		DN 80	
PN 16		PN 16	
EN1092-2		EN1092-2	
C	22	C	22
D	200	D	200
df	132	df	132
DN	80	DN	80
K	160	K	160
L	8 x 19	L	8 x 19



Value C, D may vary from Standard

### Dimensions and weight without obligation

Project Xylect-20969478  
Block LNTE 80-160/185/P25VCC4

Created by  
Created on 8/8/2023

Last update 8/8/2023