

LNTE 80-125/110/P25VCC4

Technical data

Company name
Contact
Phone number
e-mail address

Operating data						
1	Pumpe type	Single head pump		Fluid	Water, pure	
2	No. of pumps	1		Operating temperature t A	°C	4
3	Nominal flow	m ³ /h	0	Max / Min Operating Temperature mech. Seal	°C	120 / -25
4	Nominal head	m	0	pH-value at t A		7
5	Static head	m	0	Density at t A	kg/m ³	1000
6	Inlet pressure	kPa	0	Kin. viscosity at t A	mm ² /s	1.569
7	Environmental temperature	°C	20	Vapor pressure at t A	kPa	100
8	Available system NPSH	m	0	Altitude		0

Pump data						
9	Lubrication	Standard, Grease lubrication [Std]				
10	Execution	2 poles motor				
11	Design	In-Line single twin head				Impeller Ø
12	Operating speed	2900 rpm	Stages	1		Max. mm 148
13	Suction nozzle	DN 80 /	PN 16 /	EN1092-2		designed mm 148
14	Discharge nozzle	DN 80 /	PN 16 /	EN1092-2		Min. mm 117
15	Max. casing pressure	kPa				Nominal m ³ /h
16	Max. working pressure	kPa	286.4			Max- m ³ /h 135
17	Impeller type	Radial impeller				Min- m ³ /h 33
18	Head H(Q=0)	m	29			Nominal m
19	Max. shaft power	kW	9.7		Head	at Qmax m 14.3
20	Pump weight	kg				at Qmin m 28.9
21	Total weight	kg	225.0		Shaft power	kW
					Efficiency	%
					NPSH 3%	m

Materials					
Pump			Shaft Seal		
22					
23	Volute Casing	Cast Iron		Single mechanical seal, without shaft sleeve	
24	Casing Cover	Cast Iron		eMG12 - Ø22mm	BQ7EGG-WA
25	Impeller	Cast iron / ASTM Class 30		Mechanical seal diameter	22 mm
26	Stub shaft	Stainless steel / AISI 316L		1. Rotating ring	Carbon graphite resin impregnated
27	Wear ring	Stainless steel / AISI 304		2. Stationary ring	SiC, silicon carbide, sintered press.less
28	Impeller lock nut and washer	Stainless steel / AISI 304		3. Secondary seal	Ethylene propylene rubber (EPDM)
29	Impeller key	Stainless steel / AISI 316L		4. Springs	CrNiMo - Steel
30	Fill and draing plugs	Nickel-plated brass		5. Others	EPDM - WRAS
31				Gaskets of the pump	Ethylene propylene rubber (EPDM)
32					
33					
34					
35					
36					
37					
38					
39					
40					
41					

Motor data					
Electrical and dimensional data refer to IE3 motor					
42	Manufacturer	Lowara			
43	Specific design	IE3 3ph Flange Motor			
44	Type	PLM 132 B14 11 kW			
45	Rated power	11 kW	Rated current	20.2 A	
46	Nominal speed	2910 rpm	Rated voltage	400 V	
47	Frame size	132	Service factor	1	
48	Weight	kg 102.0	Degree of protection	IP55	

Remarks					
49					
50					
50					
52					

LNTE 80-125/110/P25VCC4

Performance curve

Company name
Contact
Phone number
e-mail address

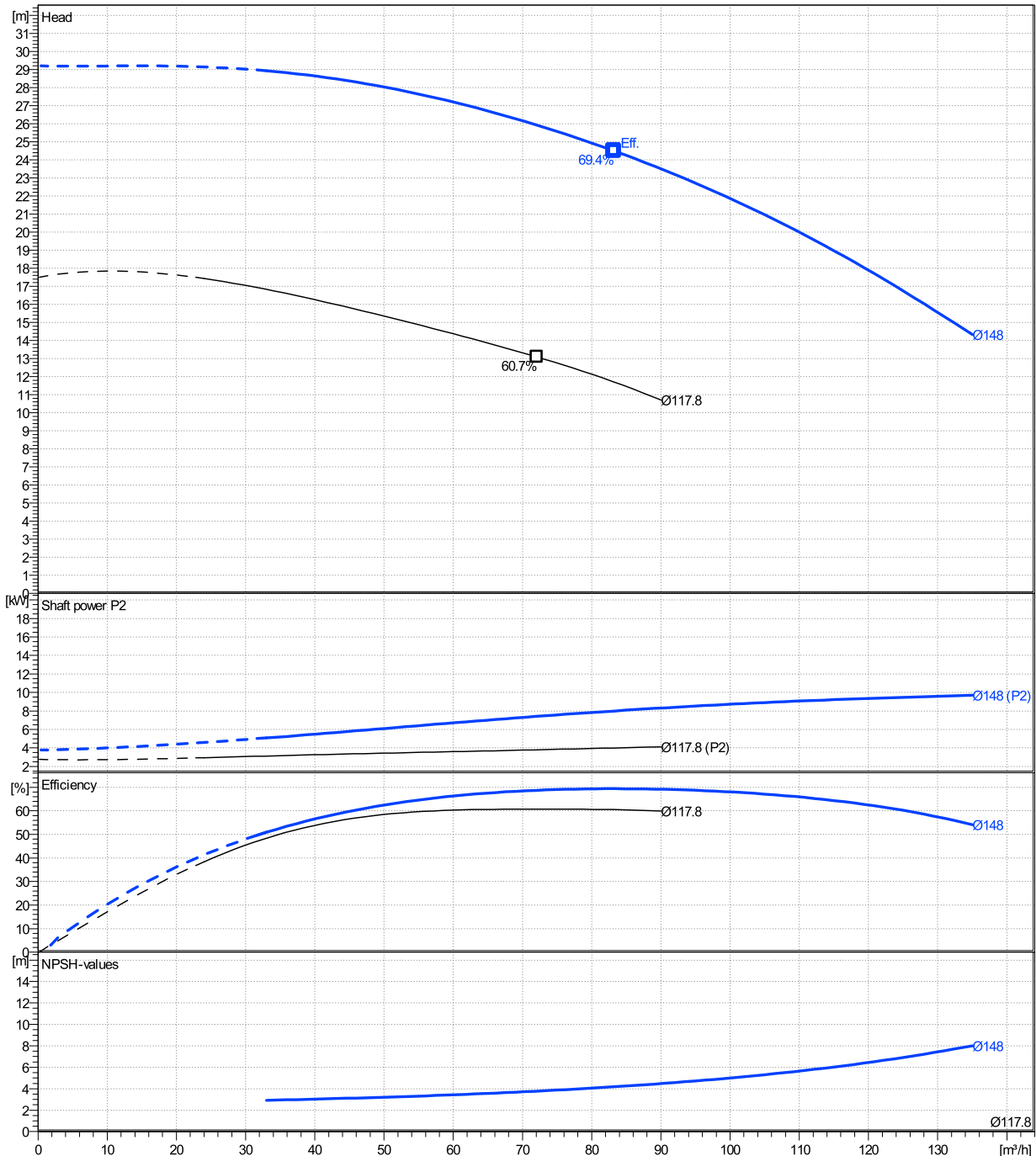
	Ø mm	Pump capacity			Pump head		Shaft power P2			Frequency		Hz	50
		Operating range Min. m³/h	Max. m³/h	η Max. m³/h	H(Q=0) m	η Max. m	P2(Q=0) kW	Max. kW	η Max. kW	Operating speed rpm	2900		
actual	148	33	135	83.2	29.2	24.5		9.7	7.99	Nominal flow	m³/h	0	
Min.	0	/	/	72.1	17.5	13.1		/	3.79	Nominal head	m	0	
Max.	148	/	/	83.2	29.2	24.5		/	7.99	Inlet pressure	kPa	0	
										Static head	m	0	

Power datas referred to:

hydr. Performance acceptance acc. To EN ISO 9906 Class Grade 3B

Water, pure [100%] ; 4°C; 1000kg/m³; 1.57mm²/s

MEI: N.A - according to Ecodesign Directive 2009/125/EC and Regulation (EU) No.547/2012



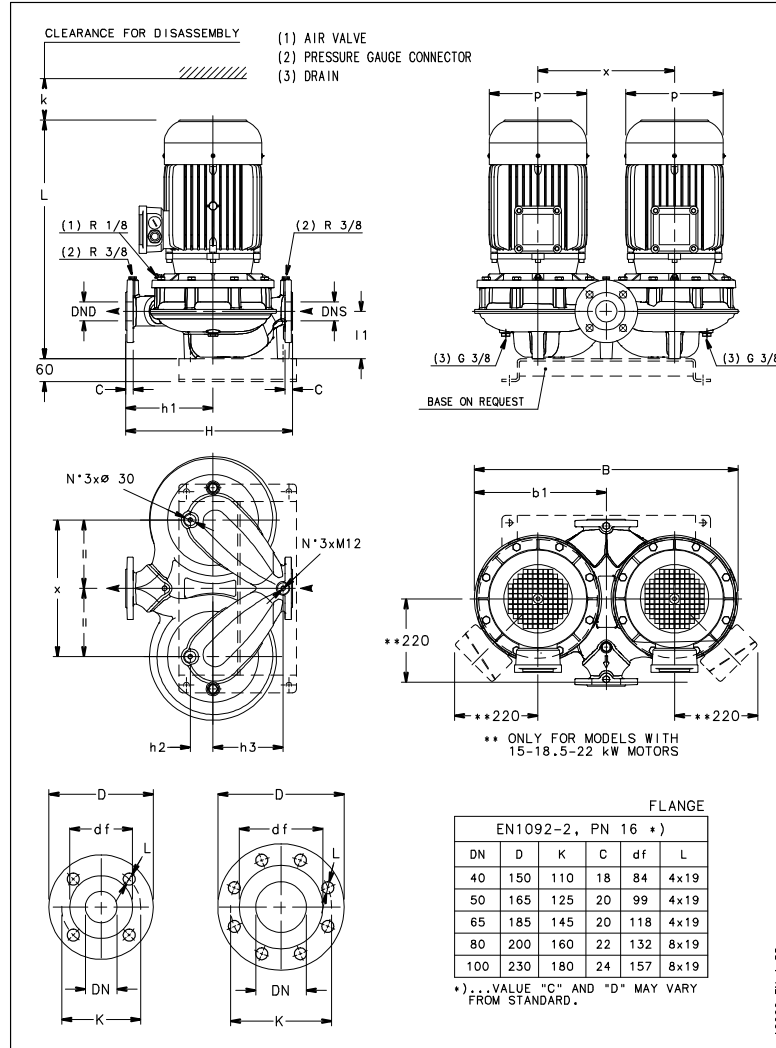
LNTE 80-125/110/P25VCC4

Dimensions

Company name
Contact
Phone number
e-mail address

Close coupled
2 poles motor
PLM 132 B14 11 kW

Electrical and dimensional data refer to IE3 motor



Dimensions [mm]

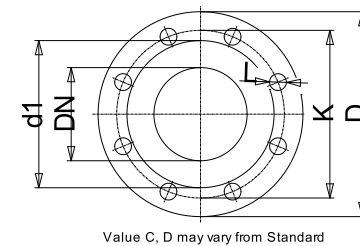
B	748
b1	374
DND	80
DNS	80
H	420
h1	235
h2	80
h3	110
k	111
L	638
l1	133
p	256
x	410

Weight

Total weight	225 kg
--------------	--------

Connections

Suction nozzle		Discharge nozzle	
DN 80		DN 80	
PN 16		PN 16	
EN1092-2		EN1092-2	
C	22	C	22
D	200	D	200
df	132	df	132
DN	80	DN	80
K	160	K	160
L	8 x 19	L	8 x 19



Dimensions and weight without obligation

Project	Xylect-20969466
Block	LNTE 80-125/110/P25VCC4

Created by
Created on 8/8/2023

Last update 8/8/2023