

LNTE 80-125/40/P25VCC4

Technical data

Company name
Contact
Phone number
e-mail address

Operating data			
1	Pumpe type	Single head pump	Fluid Water, pure
2	No. of pumps	1	Operating temperature t A °C 4
3	Nominal flow	m ³ /h 0	Max / Min Operating Temperature mech. Seal °C 120 / -25
4	Nominal head	m 0	pH-value at t A 7
5	Static head	m 0	Density at t A kg/m ³ 1000
6	Inlet pressure	kPa 0	Kin. viscosity at t A mm ² /s 1.569
7	Environmental temperature	°C 20	Vapor pressure at t A kPa 100
8	Available system NPSH	m 0	Altitude 0

Pump data			
9	Lubrication	Standard, Grease lubrication [Std]	
10	Execution	2 poles motor	
11	Design	In-Line single twin head	
12	Operating speed	2900 rpm	Stages 1
13	Suction nozzle	DN 80 / PN 16 / EN1092-2	Impeller Ø
14	Discharge nozzle	DN 80 / PN 16 / EN1092-2	
15	Max. casing pressure	kPa	Flow
16	Max. working pressure	kPa 171.7	
17	Impeller type	Radial impeller	
18	Head H(Q=0)	m 18	Head
19	Max. shaft power	kW 4.1	
20	Pump weight	kg	Shaft power kW
21	Total weight	kg 151.0	
			Efficiency %
			NPSH 3% m

Materials			
22		Pump	Shaft Seal
23	Volute Casing	Cast Iron	Single mechanical seal, without shaft sleeve
24	Casing Cover	Cast Iron	eMG12 - Ø22mm BQ7EGG-WA
25	Impeller	Cast iron / ASTM Class 30	Mechanical seal diameter 22 mm
26	Stub shaft	Stainless steel / AISI 316L	1. Rotating ring Carbon graphite resin impregnated
27	Wear ring	Stainless steel / AISI 304	2. Stationary ring SiC, silicon carbide, sintered press.less
28	Impeller lock nut and washer	Stainless steel / AISI 304	3. Secondary seal Ethylene propylene rubber (EPDM)
29	Impeller key	Stainless steel / AISI 316L	4. Springs CrNiMo - Steel
30	Fill and draing plugs	Nickel-plated brass	5. Others EPDM - WRAS
31			Gaskets of the pump Ethylene propylene rubber (EPDM)
32			
33			
34			
35			
36			
37			
38			
39			
40			
41			

Motor data			
Electrical and dimensional data refer to IE3 motor			
42	Manufacturer	Lowara	
43	Specific design	IE3 3ph Flange Motor	
44	Type	PLM 112R B14 4 kW	
45	Rated power	4 kW	Rated current 7.75 A
46	Nominal speed	2885 rpm	Rated voltage 400 V
47	Frame size	112R	Service factor 1
48	Weight	kg 37.6	Degree of protection IP55

Remarks			
49			
50			
50			
52			

LNTE 80-125/40/P25VCC4

Performance curve

Company name
Contact
Phone number
e-mail address

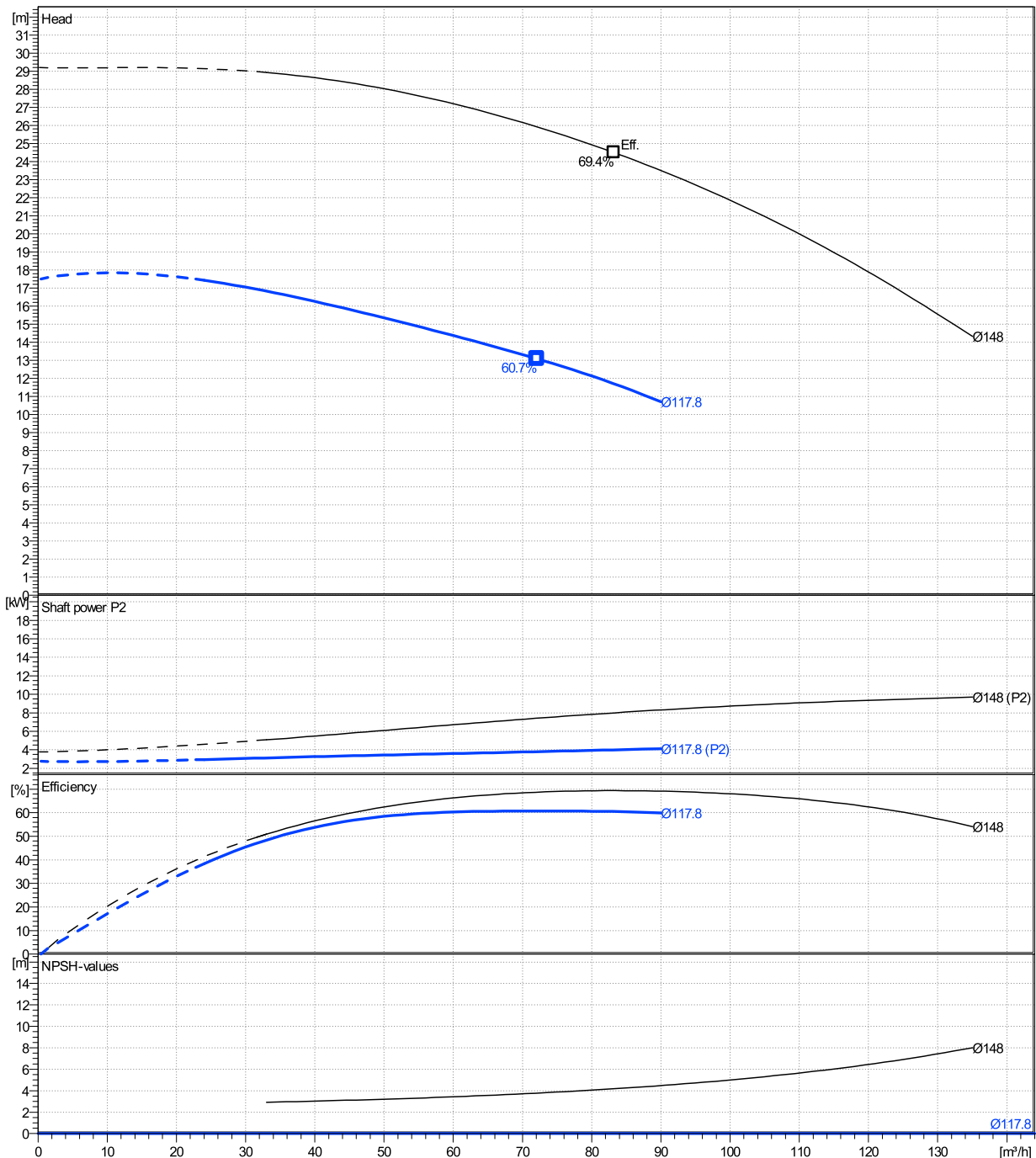
	Ø mm	Pump capacity			Pump head		Shaft power P2			Frequency	Hz	50
		Operating range Min. m³/h	Max. m³/h	η Max. m³/h	H(Q=0) m	η Max. m	P2(Q=0) kW	Max. kW	η Max. kW	Operating speed	rpm	2900
actual	117	24	90	72.1	17.5	13.1	4.12	3.79	Nominal flow	m³/h	0	
Min.	0	/	/	72.1	17.5	13.1	/	3.79	Nominal head	m	0	
Max.	148	/	/	83.2	29.2	24.5	/	7.99	Inlet pressure	kPa	0	
									Static head	m	0	

Power datas referred to:

hydr. Performance acceptance acc. To EN ISO 9906 Class Grade 3B

Water, pure [100%] ; 4°C; 1000kg/m³; 1.57mm²/s

MEI: N.A. - according to Ecodesign Directive 2009/125/EC and Regulation (EU) No.547/2012



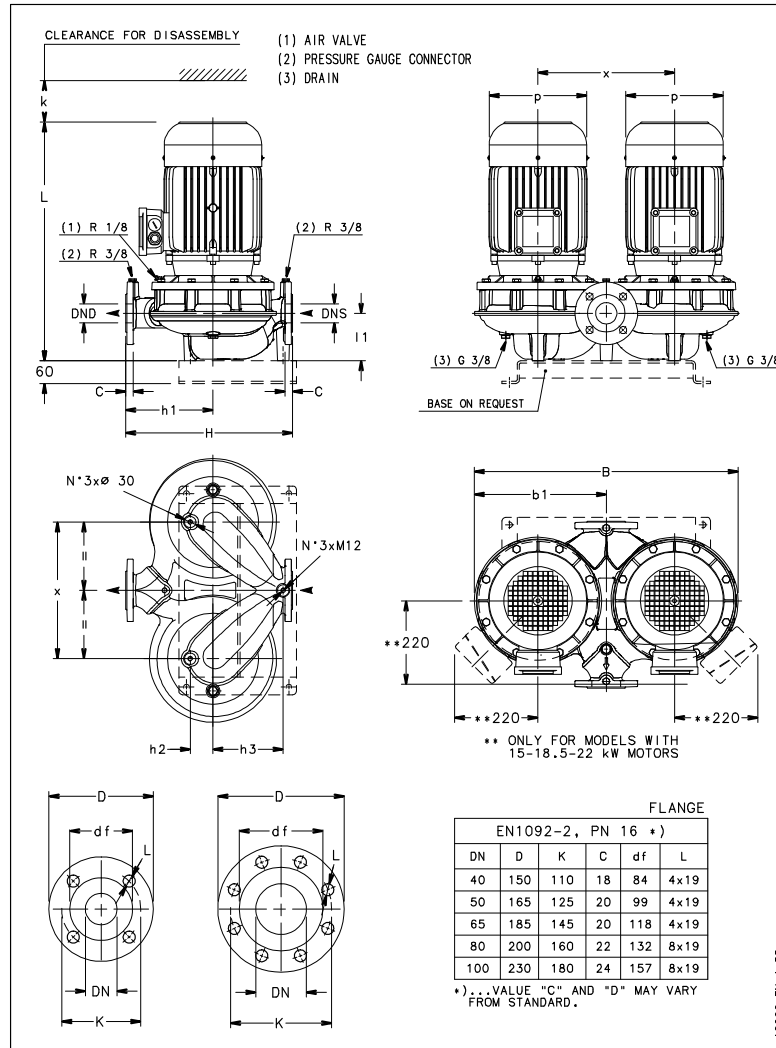
LNTE 80-125/40/P25VCC4

Dimensions

Company name
Contact
Phone number
e-mail address

Close coupled
2 poles motor
PLM 112R B14 4 kW

Electrical and dimensional data refer to IE3 motor



Dimensions [mm]

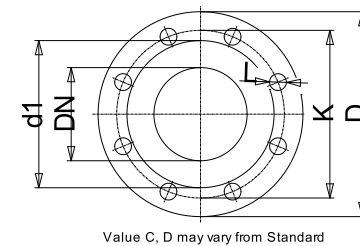
B	748
b1	374
DND	80
DNS	80
H	420
h1	235
h2	80
h3	110
k	111
L	552
l1	133
p	197
x	410

Weight

Total weight	151 kg
---------------------	---------------

Connections

Suction nozzle		Discharge nozzle	
DN 80		DN 80	
PN 16		PN 16	
EN1092-2		EN1092-2	
C	22	C	22
D	200	D	200
df	132	df	132
DN	80	DN	80
K	160	K	160
L	8 x 19	L	8 x 19



Dimensions and weight without obligation

Project	Xylect-20969466
Block	LNTE 80-125/110/P25VCC4

Created by
Created on 8/8/2023

Last update 8/8/2023