

LNTE 65-250/185/P25VCS4

Technical data

Company name
Contact
Phone number
e-mail address

Operating data						
1	Pumpe type	Single head pump		Fluid	Water, pure	
2	No. of pumps	1		Operating temperature t A	°C	4
3	Nominal flow	m ³ /h	0	Max / Min Operating Temperature mech. Seal	°C	120 / -25
4	Nominal head	m	0	pH-value at t A		7
5	Static head	m	0	Density at t A	kg/m ³	1000
6	Inlet pressure	kPa	0	Kin. viscosity at t A	mm ² /s	1.569
7	Environmental temperature	°C	20	Vapor pressure at t A	kPa	100
8	Available system NPSH	m	0	Altitude		0

Pump data						
9	Lubrication	Standard, Grease lubrication [Std]				
10	Execution	2 poles motor				
11	Design	In-Line single twin head				Impeller Ø
12	Operating speed	2900 rpm	Stages	1		
13	Suction nozzle	DN 65 /	PN 16 /	EN1092-2		
14	Discharge nozzle	DN 65 /	PN 16 /	EN1092-2		Flow
15	Max. casing pressure	kPa				
16	Max. working pressure	kPa	637.8			
17	Impeller type	Radial impeller				Head
18	Head H(Q=0)	m	65			
19	Max. shaft power	kW	17.2			
20	Pump weight	kg				Efficiency
21	Total weight	kg	319.0			NPSH 3%

Materials						
22		Pump			Shaft Seal	
23	Volute Casing	Cast Iron			Single mechanical seal, without shaft sleeve	
24	Casing Cover	Cast Iron			eMG12 - Ø28mm	BQ7EGG-WA
25	Impeller	Stainless steel / AISI 304			Mechanical seal diameter	28 mm
26	Stub shaft	Stainless steel / AISI 316L			1. Rotating ring	Carbon graphite resin impregnated
27	Wear ring	Stainless steel / AISI 304			2. Stationary ring	SiC, silicon carbide, sintered press. less
28	Impeller lock nut and washer	Stainless steel / AISI 304			3. Secondary seal	Ethylene propylene rubber (EPDM)
29	Impeller key	Stainless steel / AISI 316L			4. Springs	CrNiMo - Steel
30	Fill and draing plugs	Nickel-plated brass			5. Others	EPDM - WRAS
31					Gaskets of the pump	Ethylene propylene rubber (EPDM)
32						
33						
34						
35						
36						
37						
38						
39						
40						
41						

Motor data					
Electrical and dimensional data refer to IE3 motor					
42	Manufacturer	Lowara			
43	Specific design	IE3 3ph Flange Motor			
44	Type	PLM 160 B14 18,5 kW			
45	Rated power	18.5 kW	Rated current	32.7 A	
46	Nominal speed	2940 rpm	Rated voltage	400 V	
47	Frame size	160	Service factor	1	
48	Weight	kg 121.2	Degree of protection	IP55	

Remarks					
49					
50					
50					
52					

LNTE 65-250/185/P25VCS4

Performance curve

Company name
Contact
Phone number
e-mail address

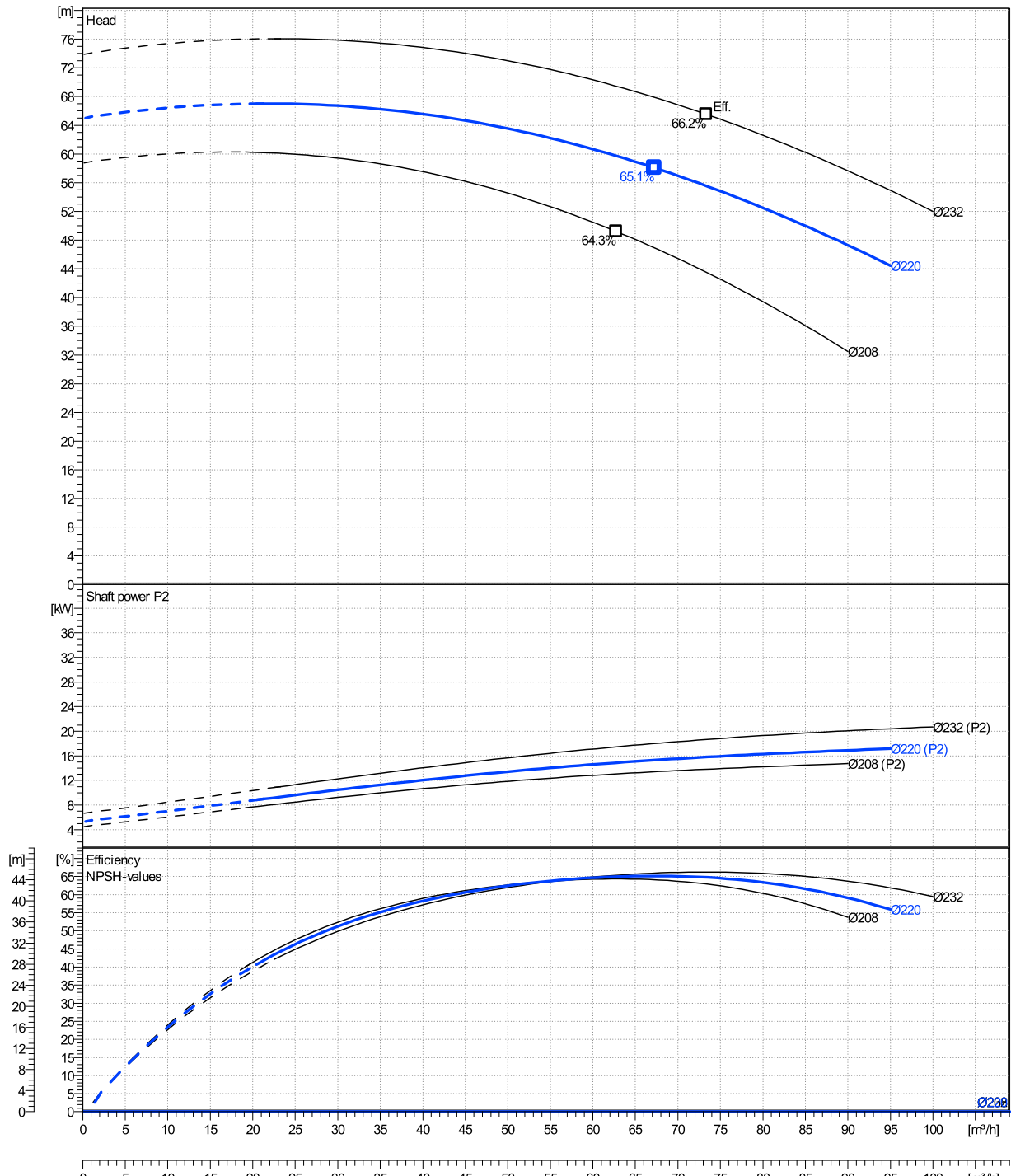
	Ø mm	Pump capacity			Pump head		Shaft power P2			Frequency	Hz	50
		Operating range Min. m³/h	Max. m³/h	η Max. m³/h	H(Q=0) m	η Max. m	P2(Q=0) kW	Max. kW	η Max. kW	Operating speed	rpm	2900
actual	220	21.2	95	67.2	65	58.1	17.2	15.3	Nominal flow	m³/h	0	
Min.	0	/	/	62.7	58.8	49.2	/	13.1	Nominal head	m	0	
Max.	232	/	/	73.4	73.9	65.5	/	18.7	Inlet pressure	kPa	0	
									Static head	m	0	

Power datas referred to:

hydr. Performance acceptance acc. To EN ISO 9906 Class Grade 3B

Water, pure [100%] ; 4°C; 1000kg/m³; 1.57mm²/s

MEI: N.A. - according to Ecodesign Directive 2009/125/EC and Regulation (EU) No.547/2012



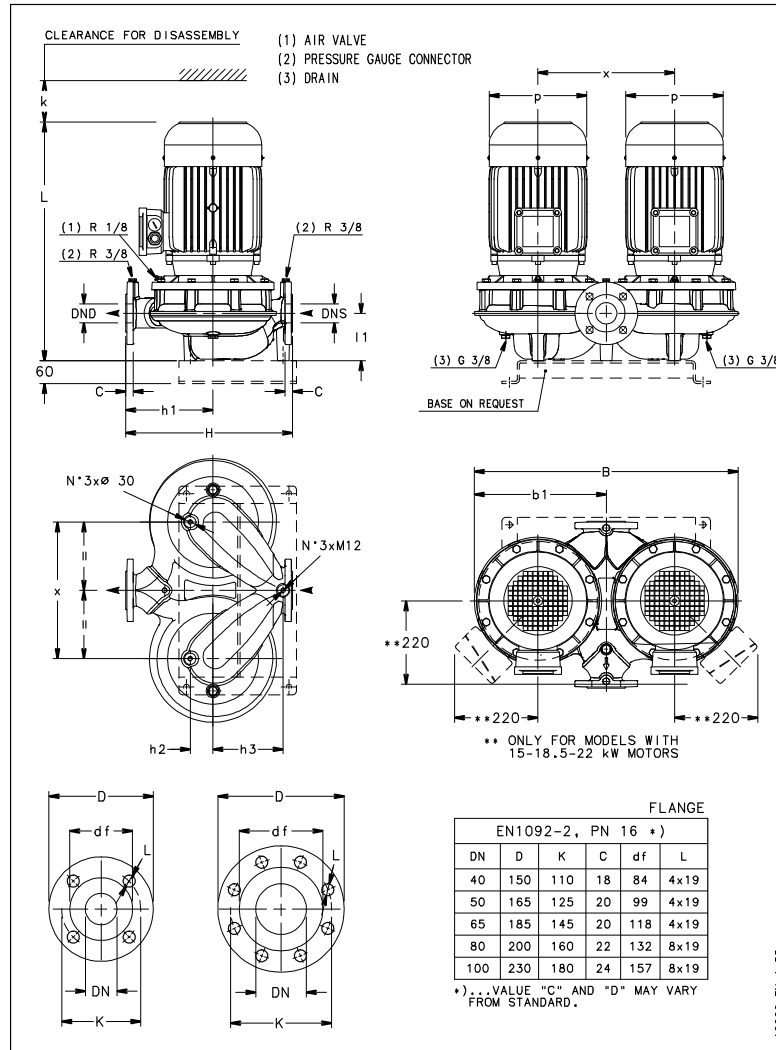
LNTE 65-250/185/P25VCS4

Dimensions

Company name
Contact
Phone number
e-mail address

Close coupled
2 poles motor
PLM 160 B14 18,5 kW

Electrical and dimensional data refer to IE3 motor



Dimensions [mm]

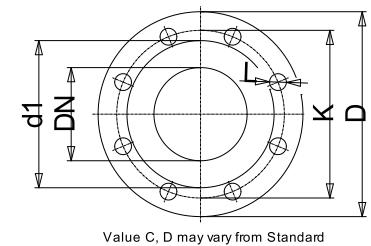
B	762
b1	377.5
DND	65
DNS	65
H	475
h1	250
h2	76
h3	196
k	105
L	712
l1	118
p	313
x	420

Weight

Total weight	319 kg
---------------------	---------------

Connections

Suction nozzle		Discharge nozzle	
DN 65		DN 65	
PN 16		PN 16	
EN1092-2		EN1092-2	
C	20	C	20
D	185	D	185
df	118	df	118
DN	65	DN	65
K	145	K	145
L	4 x 19	L	4 x 19



Dimensions and weight without obligation

Project	Xylect-20969423
Block	LNTE 65-250/220/P25VCS4

Created by
Created on 8/8/2023

Last update 8/8/2023