

LNTE 65-250/150/P25VCS4

Performance curve

Company name
Contact
Phone number
e-mail address

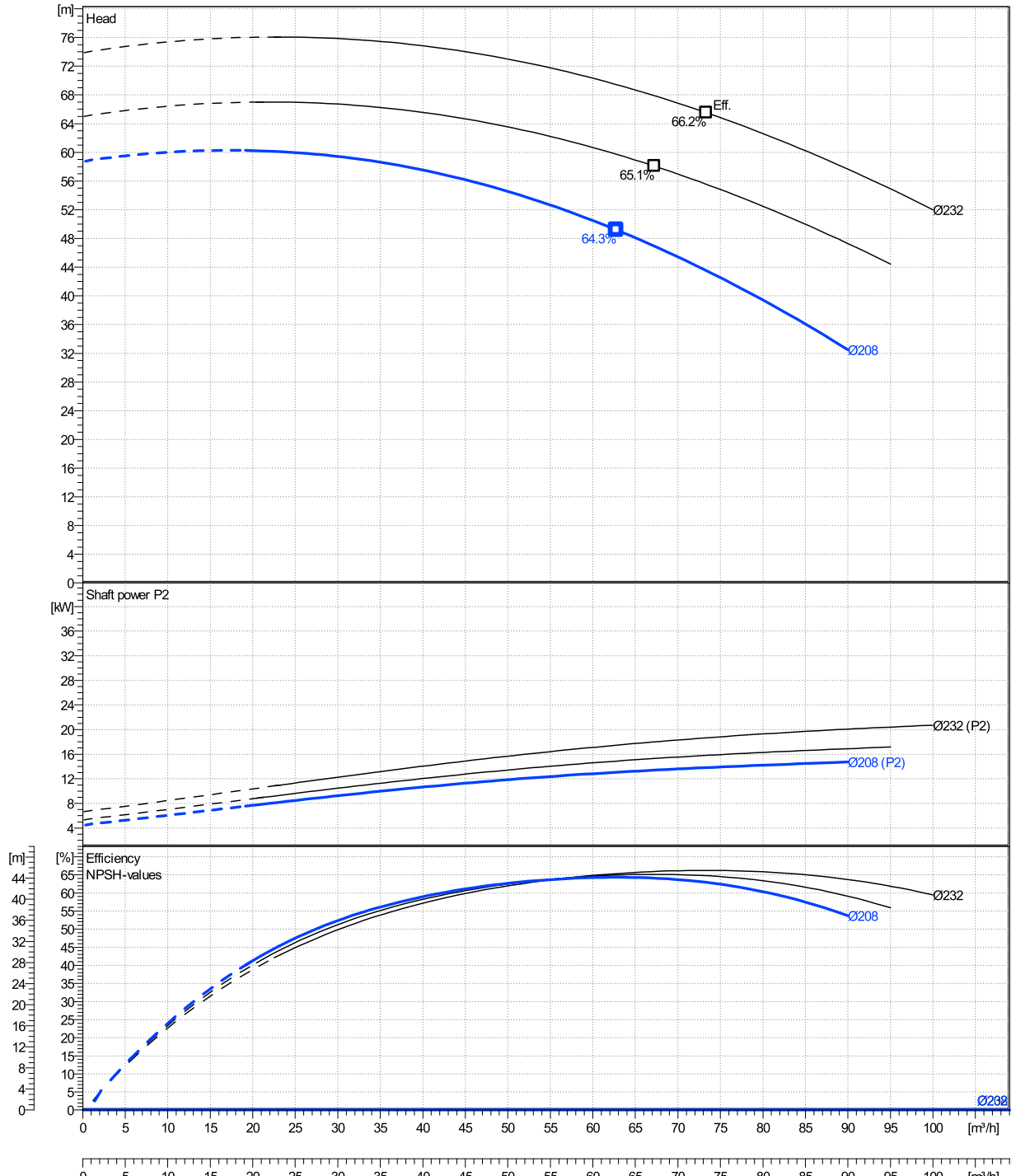
	Ø mm	Pump capacity			Pump head		Shaft power P2			Frequency		Hz	50
		Operating range Min. m³/h	Max. m³/h	η Max. m³/h	H(Q=0) m	η Max. m	P2(Q=0) kW	Max. kW	η Max. kW	Operating speed rpm	2900		
actual	208	19.7	90	62.7	58.8	49.2		14.7	13.1	Nominal flow	m³/h	0	
Min.	0	/	/	62.7	58.8	49.2		/	13.1	Nominal head	m	0	
Max.	232	/	/	73.4	73.9	65.5		/	18.7	Inlet pressure	kPa	0	
										Static head	m	0	

Power datas referred to:

hydr. Performance acceptance acc. To EN ISO 9906 Class Grade 3B

Water, pure [100%] ; 4°C; 1000kg/m³; 1.57mm²/s

MEI: N.A. - according to Ecodesign Directive 2009/125/EC and Regulation (EU) No.547/2012



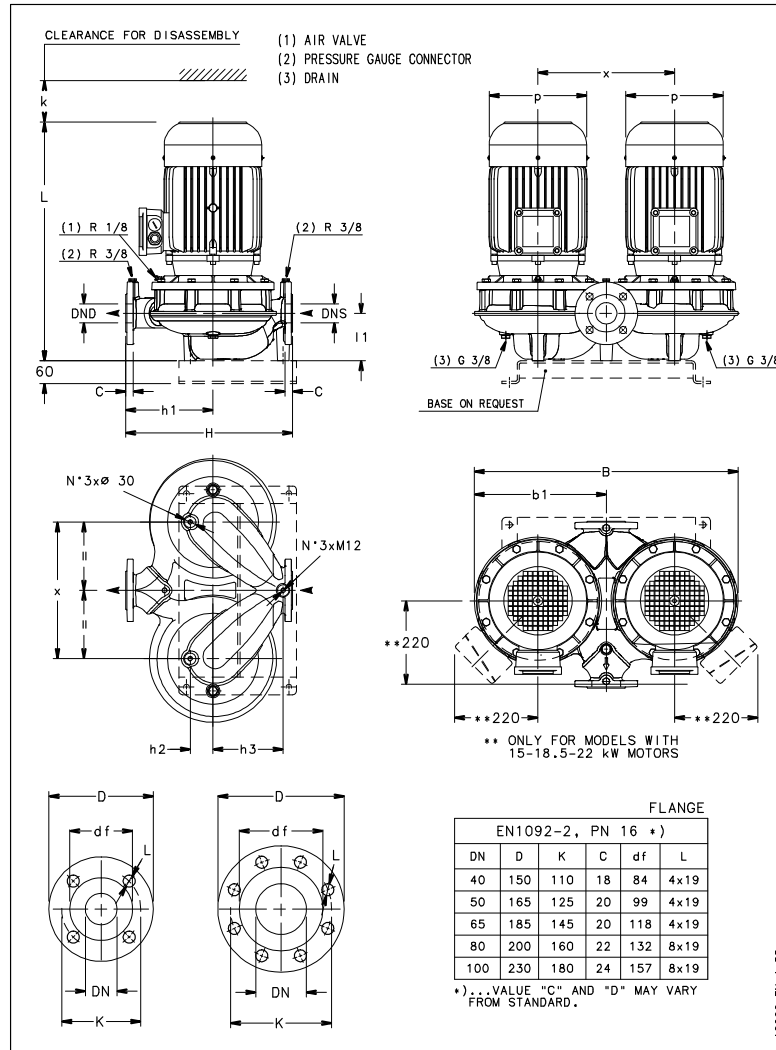
LNTE 65-250/150/P25VCS4

Dimensions

Company name
Contact
Phone number
e-mail address

Close coupled
2 poles motor
PLM 160 B14 15 kW

Electrical and dimensional data refer to IE3 motor



Dimensions [mm]

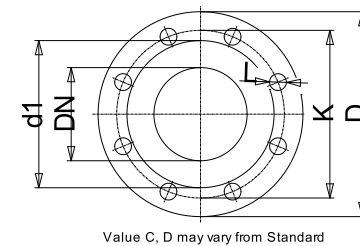
B	762
b1	377.5
DND	65
DNS	65
H	475
h1	250
h2	76
h3	196
k	105
L	712
l1	118
p	313
x	420

Weight

Total weight	297 kg
---------------------	---------------

Connections

Suction nozzle		Discharge nozzle	
DN 65		DN 65	
PN 16		PN 16	
EN1092-2		EN1092-2	
C	20	C	20
D	185	D	185
df	118	df	118
DN	65	DN	65
K	145	K	145
L	4 x 19	L	4 x 19



Dimensions and weight without obligation

Project	Xylect-20969423
Block	LNTE 65-250/220/P25VCS4

Created by
Created on 8/8/2023

Last update 8/8/2023