

# LNTE 65-160/92/P25VCS4

## Technical data

Company name  
Contact  
Phone number  
e-mail address

Operating data				
1	Pumpe type	Single head pump	Fluid	Water, pure
2	No. of pumps	1	Operating temperature t A	°C 4
3	Nominal flow	m³/h 0	Max / Min Operating Temperature mech. Seal	°C 120 / -25
4	Nominal head	m 0	pH-value at t A	7
5	Static head	m 0	Density at t A	kg/m³ 1000
6	Inlet pressure	kPa 0	Kin. viscosity at t A	mm²/s 1.569
7	Environmental temperature	°C 20	Vapor pressure at t A	kPa 100
8	Available system NPSH	m 0	Altitude	0

Pump data				
9	Lubrication	Standard, Grease lubrication [Std]		
10	Execution	2 poles motor		
11	Design	In-Line single twin head		
12	Operating speed	2900 rpm	Stages	1
13	Suction nozzle	DN 65 /	PN 16 /	EN1092-2
14	Discharge nozzle	DN 65 /	PN 16 /	EN1092-2
15	Max. casing pressure	kPa		
16	Max. working pressure	kPa	364.4	
17	Impeller type	Radial impeller		
18	Head H(Q=0)	m	37	
19	Max. shaft power	kW	8.7	
20	Pump weight	kg		
21	Total weight	kg	180.0	

Impeller Ø	Max.	mm	176
	designed	mm	170
	Min.	mm	144
Flow	Nominal	m³/h	
	Max-	m³/h	100
	Min-	m³/h	23.8
Head	Nominal	m	
	at Qmax	m	17.8
	at Qmin	m	35.8
Shaft power		kW	
Efficiency		%	
NPSH 3%		m	

Materials				
	Pump		Shaft Seal	
22				
23	Volute Casing	Cast Iron		Single mechanical seal, without shaft sleeve
24	Casing Cover	Cast Iron		eMG12 - Ø22mm
25	Impeller	Stainless steel / AISI 304		Mechanical seal diameter
26	Stub shaft	Stainless steel / AISI 316L		22 mm
27	Wear ring	Stainless steel / AISI 304		1. Rotating ring
28	Impeller lock nut and washer	Stainless steel / AISI 304		Carbon graphite resin impregnated
29	Impeller key	Stainless steel / AISI 316L		2. Stationary ring
30	Fill and draing plugs	Nickel-plated brass		SiC, silicon carbide, sintered press.less
31				3. Secondary seal
32				Ethylene propylene rubber (EPDM)
33				4. Springs
34				CrNiMo - Steel
35				5. Others
36				EPDM - WRAS
37				Gaskets of the pump
38				Ethylene propylene rubber (EPDM)
39				
40				
41				

Motor data				
Electrical and dimensional data refer to IE3 motor				
42	Manufacturer	Lowara		
43	Specific design	IE3 3ph Flange Motor		
44	Type	PLM 132 B14 9,2 kW		
45	Rated power	9.2 kW	Rated current	17.4 A
46	Nominal speed	2920 rpm	Rated voltage	400 V
47	Frame size	132	Service factor	1
48	Weight	kg 70.4	Degree of protection	IP55

Remarks				
49				
50				
50				
52				

# LNTE 65-160/92/P25VCS4

## Performance curve

Company name  
Contact  
Phone number  
e-mail address

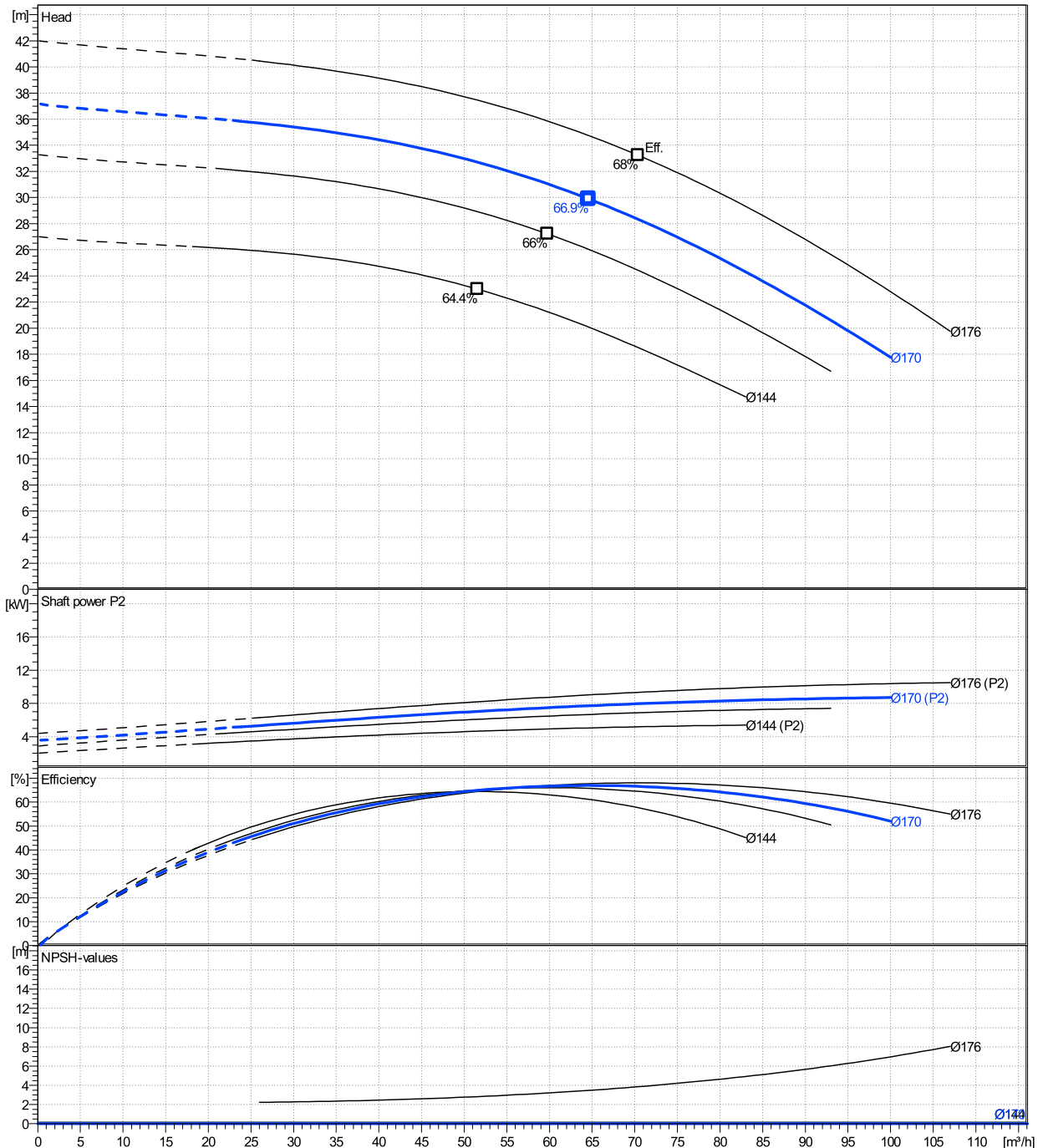
	Ø mm	Pump capacity			Pump head		Shaft power P2			Frequency	Hz	50
		Operating range Min. m³/h	Max. m³/h	η Max. m³/h	H(Q=0) m	η Max. m	P2(Q=0) kW	Max. kW	η Max. kW	Operating speed	rpm	2900
actual	170	23.8	100	64.6	37.1	29.9	8.71	7.71	Nominal flow	m³/h	0	
Min.	0	/	/	51.6	27	23	/	4.65	Nominal head	m	0	
Max.	176	/	/	70.4	42	33.2	/	9.33	Inlet pressure	kPa	0	
									Static head	m	0	

**Power datas referred to:**

hydr. Performance acceptance acc. To EN ISO 9906 Class Grade 3B

Water, pure [100%] ; 4°C; 1000kg/m³; 1.57mm²/s

MEI: N.A - according to Ecodesign Directive 2009/125/EC and Regulation (EU) No.547/2012



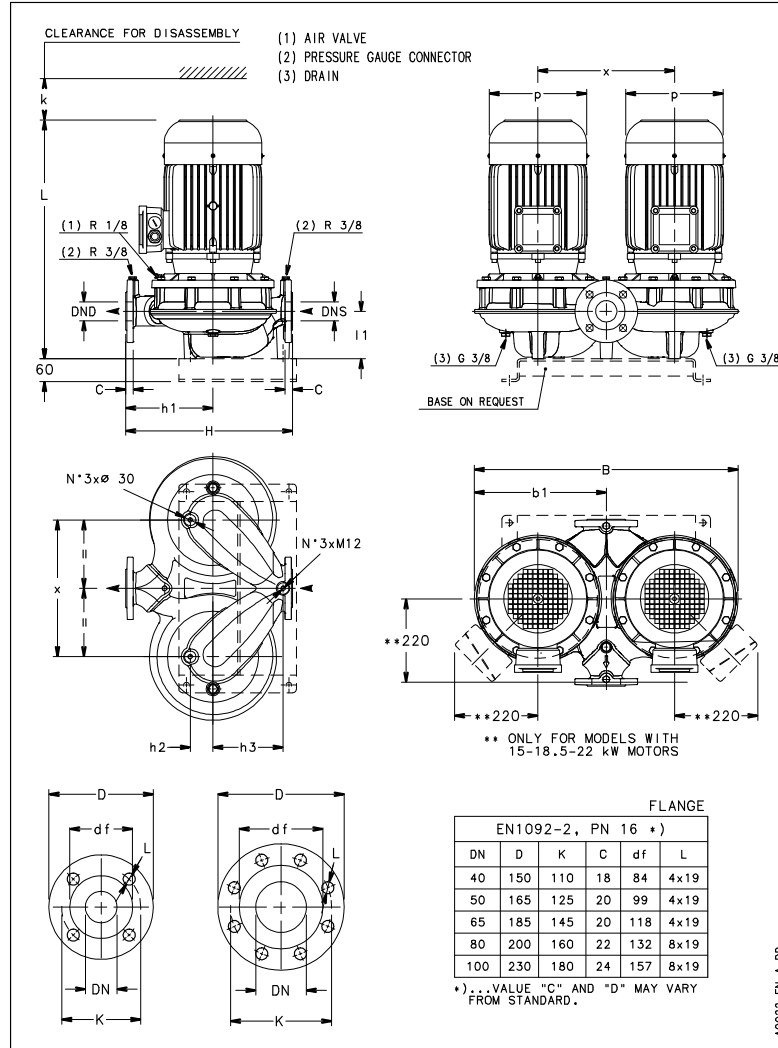
# LNTE 65-160/92/P25VCS4

## Dimensions

Company name  
Contact  
Phone number  
e-mail address

Close coupled  
2 poles motor  
PLM 132 B14 9,2 kW

Electrical and dimensional data refer to IE3 motor



### Dimensions [ mm ]

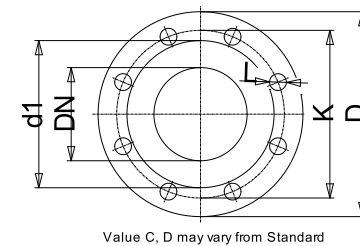
B	646
b1	323
DND	65
DNS	65
H	360
h1	190
h2	75
h3	140
k	94
L	633
l1	122
p	256
x	360

### Weight

Total weight	180 kg
--------------	--------

### Connections

Suction nozzle		Discharge nozzle	
DN 65		DN 65	
PN 16		PN 16	
EN1092-2		EN1092-2	
C	20	C	20
D	185	D	185
df	118	df	118
DN	65	DN	65
K	145	K	145
L	4 x 19	L	4 x 19



### Dimensions and weight without obligation

Project	Xylect-20969377
Block	LNTE 65-160/110/P25VCS4

Created by  
Created on 8/8/2023

Last update 8/8/2023