

LNTE 65-160/55/P25VCS4

Technical data

Company name
Contact
Phone number
e-mail address

Operating data					
1	Pumpe type	Single head pump		Fluid	Water, pure
2	No. of pumps	1		Operating temperature t A	°C 4
3	Nominal flow	m ³ /h	0	Max / Min Operating Temperature mech. Seal	°C 120 / -25
4	Nominal head	m	0	pH-value at t A	7
5	Static head	m	0	Density at t A	kg/m ³ 1000
6	Inlet pressure	kPa	0	Kin. viscosity at t A	mm ² /s 1.569
7	Environmental temperature	°C	20	Vapor pressure at t A	kPa 100
8	Available system NPSH	m	0	Altitude	0

Pump data					
9	Lubrication	Standard, Grease lubrication [Std]			
10	Execution	2 poles motor			
11	Design	In-Line single twin head			
12	Operating speed	2900 rpm	Stages	1	
13	Suction nozzle	DN 65 /	PN 16 /	EN1092-2	
14	Discharge nozzle	DN 65 /	PN 16 /	EN1092-2	
15	Max. casing pressure	kPa		Impeller Ø	Max. mm 176
16	Max. working pressure	kPa	264.9		designed mm 144
17	Impeller type	Radial impeller			Min. mm 144
18	Head H(Q=0)	m	27	Flow	Nominal m ³ /h
19	Max. shaft power	kW	5.4		Max- m ³ /h 83
20	Pump weight	kg			Min- m ³ /h 19
21	Total weight	kg	130.0	Head	Nominal m
					at Qmax m 14.7
				at Qmin m 26.2	
				Shaft power	kW
				Efficiency	%
				NPSH 3%	m

Materials					
Pump			Shaft Seal		
22				Single mechanical seal, without shaft sleeve	
23	Volute Casing	Cast Iron		eMG12 - Ø22mm	BQ7EGG-WA
24	Casing Cover	Cast Iron		Mechanical seal diameter	22 mm
25	Impeller	Stainless steel / AISI 304		1. Rotating ring	Carbon graphite resin impregnated
26	Stub shaft	Stainless steel / AISI 316L		2. Stationary ring	SiC, silicon carbide, sintered press.less
27	Wear ring	Stainless steel / AISI 304		3. Secondary seal	Ethylene propylene rubber (EPDM)
28	Impeller lock nut and washer	Stainless steel / AISI 304		4. Springs	CrNiMo - Steel
29	Impeller key	Stainless steel / AISI 316L		5. Others	EPDM - WRAS
30	Fill and draing plugs	Nickel-plated brass		Gaskets of the pump	Ethylene propylene rubber (EPDM)
31					
32					
33					
34					
35					
36					
37					
38					
39					
40					
41					

Motor data					
Electrical and dimensional data refer to IE3 motor					
42	Manufacturer	Lowara			
43	Specific design	IE3 3ph Flange Motor			
44	Type	PLM 112 B14 5,5 kW			
45	Rated power	5.5 kW	Rated current	10.4 A	
46	Nominal speed	2880 rpm	Rated voltage	400 V	
47	Frame size	112	Service factor	1	
48	Weight	kg 55.8	Degree of protection	IP55	

Remarks					
49					
50					
50					
52					

LNTE 65-160/55/P25VCS4

Performance curve

Company name
Contact
Phone number
e-mail address

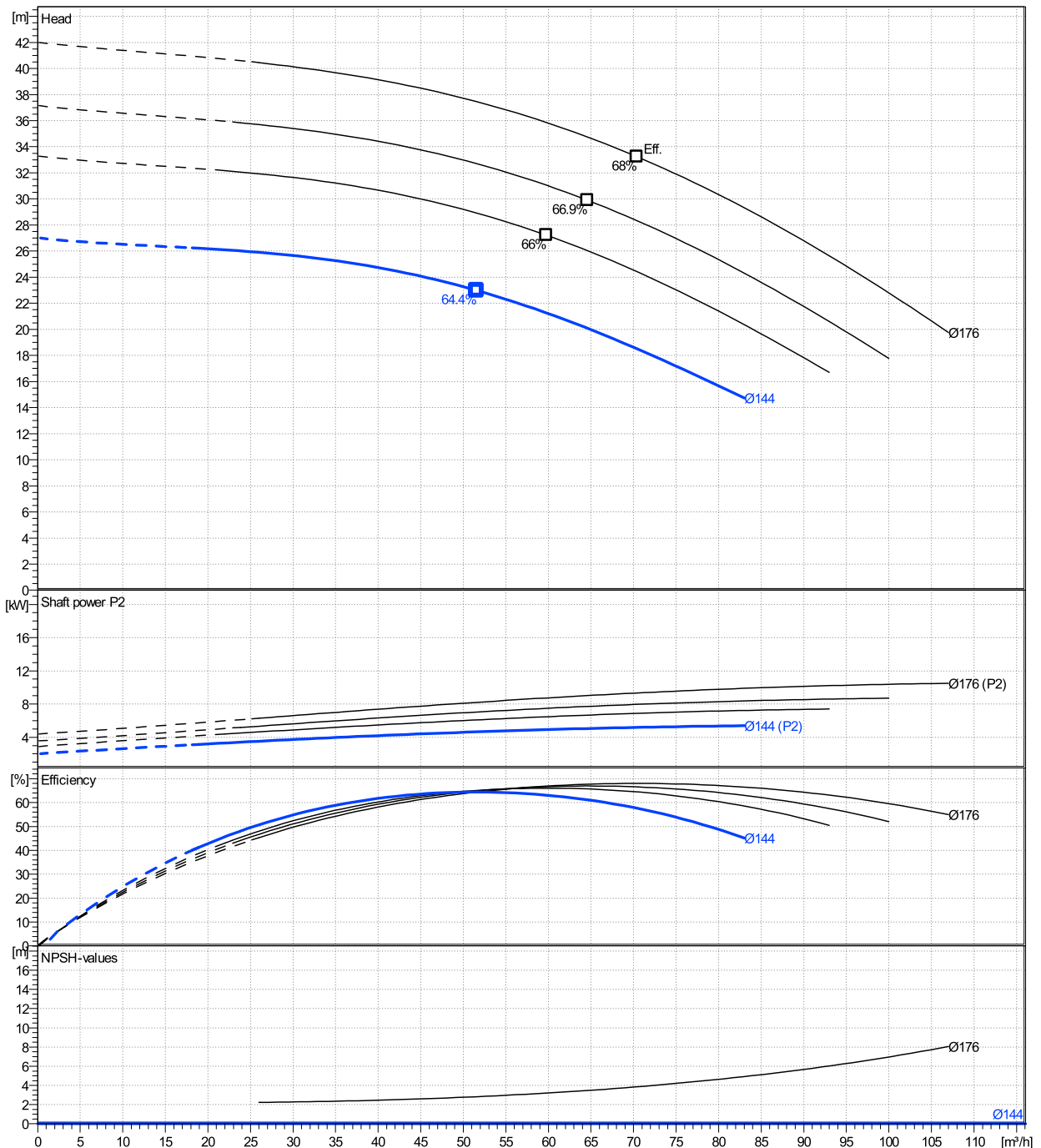
	Ø mm	Pump capacity			Pump head		Shaft power P2			Frequency		Hz	50
		Operating range Min. m³/h	Max. m³/h	η Max. m³/h	H(Q=0) m	η Max. m	P2(Q=0) kW	Max. kW	η Max. kW	Operating speed rpm	Nominal flow m³/h		
actual	144	19	83	51.6	27	23	5.38	4.65			2900	0	
Min.	0	/	/	51.6	27	23	/	4.65				0	
Max.	176	/	/	70.4	42	33.2	/	9.33				0	

Power datas referred to:

hydr. Performance acceptance acc. To EN ISO 9906 Class Grade 3B

Water, pure [100%] ; 4°C; 1000kg/m³; 1.57mm²/s

MEI: N.A - according to Ecodesign Directive 2009/125/EC and Regulation (EU) No.547/2012



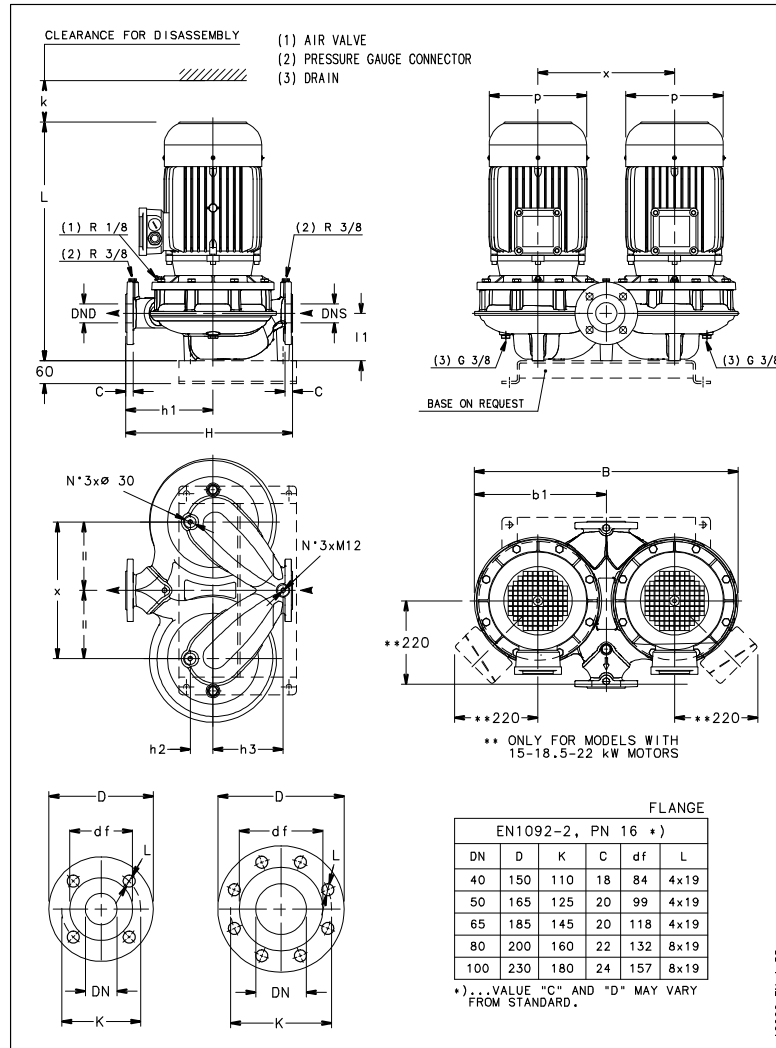
LNTE 65-160/55/P25VCS4

Dimensions

Company name
Contact
Phone number
e-mail address

Close coupled
2 poles motor
PLM 112 B14 5,5 kW

Electrical and dimensional data refer to IE3 motor



Dimensions [mm]

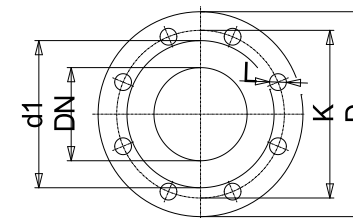
B	646
b1	323
DND	65
DNS	65
H	360
h1	190
h2	75
h3	140
k	94
L	581
l1	122
p	214
x	360

Weight

Total weight	130 kg
--------------	--------

Connections

Suction nozzle		Discharge nozzle	
DN 65		DN 65	
PN 16		PN 16	
EN1092-2		EN1092-2	
C	20	C	20
D	185	D	185
df	118	df	118
DN	65	DN	65
K	145	K	145
L	4 x 19	L	4 x 19



Value C, D may vary from Standard

Dimensions and weight without obligation

Project Xylect-20969377
Block LNTE 65-160/110/P25VCS4

Created by
Created on 8/8/2023

Last update 8/8/2023