

LNTE 65-125/40/P25VCS4

Technical data

Company name
Contact
Phone number
e-mail address

| Operating data | | | |
|----------------|---------------------------|---------------------|---------------------------------------------------------|
| 1 | Pumpe type | Single head pump | Fluid Water, pure |
| 2 | No. of pumps | 1 | Operating temperature t A °C 4 |
| 3 | Nominal flow | m ³ /h 0 | Max / Min Operating Temperature mech. Seal °C 120 / -25 |
| 4 | Nominal head | m 0 | pH-value at t A 7 |
| 5 | Static head | m 0 | Density at t A kg/m ³ 1000 |
| 6 | Inlet pressure | kPa 0 | Kin. viscosity at t A mm ² /s 1.569 |
| 7 | Environmental temperature | °C 20 | Vapor pressure at t A kPa 100 |
| 8 | Available system NPSH | m 0 | Altitude 0 |

| Pump data | | | |
|-----------|-----------------------|------------------------------------|----------------|
| 9 | Lubrication | Standard, Grease lubrication [Std] | |
| 10 | Execution | 2 poles motor | |
| 11 | Design | In-Line single twin head | |
| 12 | Operating speed | 2900 rpm | Stages 1 |
| 13 | Suction nozzle | DN 65 / PN 16 / EN1092-2 | Impeller Ø |
| 14 | Discharge nozzle | DN 65 / PN 16 / EN1092-2 | |
| 15 | Max. casing pressure | kPa | Flow |
| 16 | Max. working pressure | kPa 217.2 | |
| 17 | Impeller type | Radial impeller | |
| 18 | Head H(Q=0) | m 22 | Head |
| 19 | Max. shaft power | kW 3.7 | |
| 20 | Pump weight | kg | Shaft power kW |
| 21 | Total weight | kg 112.0 | |
| | | | Efficiency % |
| | | | |
| | | | NPSH 3% m |
| | | | |

| Materials | | | |
|-----------|------------------------------|-----------------------------|--------------------------------------------------------------|
| 22 | | Pump | Shaft Seal |
| 23 | Volute Casing | Cast Iron | Single mechanical seal, without shaft sleeve |
| 24 | Casing Cover | Cast Iron | eMG12 - Ø22mm BQ7EGG-WA |
| 25 | Impeller | Stainless steel / AISI 304 | Mechanical seal diameter 22 mm |
| 26 | Stub shaft | Stainless steel / AISI 316L | 1. Rotating ring Carbon graphite resin impregnated |
| 27 | Wear ring | Stainless steel / AISI 304 | 2. Stationary ring SiC, silicon carbide, sintered press.less |
| 28 | Impeller lock nut and washer | Stainless steel / AISI 304 | 3. Secondary seal Ethylene propylene rubber (EPDM) |
| 29 | Impeller key | Stainless steel / AISI 316L | 4. Springs CrNiMo - Steel |
| 30 | Fill and draing plugs | Nickel-plated brass | 5. Others EPDM - WRAS |
| 31 | | | Gaskets of the pump Ethylene propylene rubber (EPDM) |
| 32 | | | |
| 33 | | | |
| 34 | | | |
| 35 | | | |
| 36 | | | |
| 37 | | | |
| 38 | | | |
| 39 | | | |
| 40 | | | |
| 41 | | | |

| Motor data | | | |
|----------------------------------------------------|-----------------|----------------------|---------------------------|
| Electrical and dimensional data refer to IE3 motor | | | |
| 42 | Manufacturer | Lowara | |
| 43 | Specific design | IE3 3ph Flange Motor | |
| 44 | Type | PLM 112R B14 4 kW | |
| 45 | Rated power | 4 kW | Rated current 7.75 A |
| 46 | Nominal speed | 2885 rpm | Rated voltage 400 V |
| 47 | Frame size | 112R | Service factor 1 |
| 48 | Weight | kg 37.6 | Degree of protection IP55 |

| Remarks | | | |
|---------|--|--|--|
| 49 | | | |
| 50 | | | |
| 50 | | | |
| 52 | | | |

LNTE 65-125/40/P25VCS4

Performance curve

Company name
Contact
Phone number
e-mail address

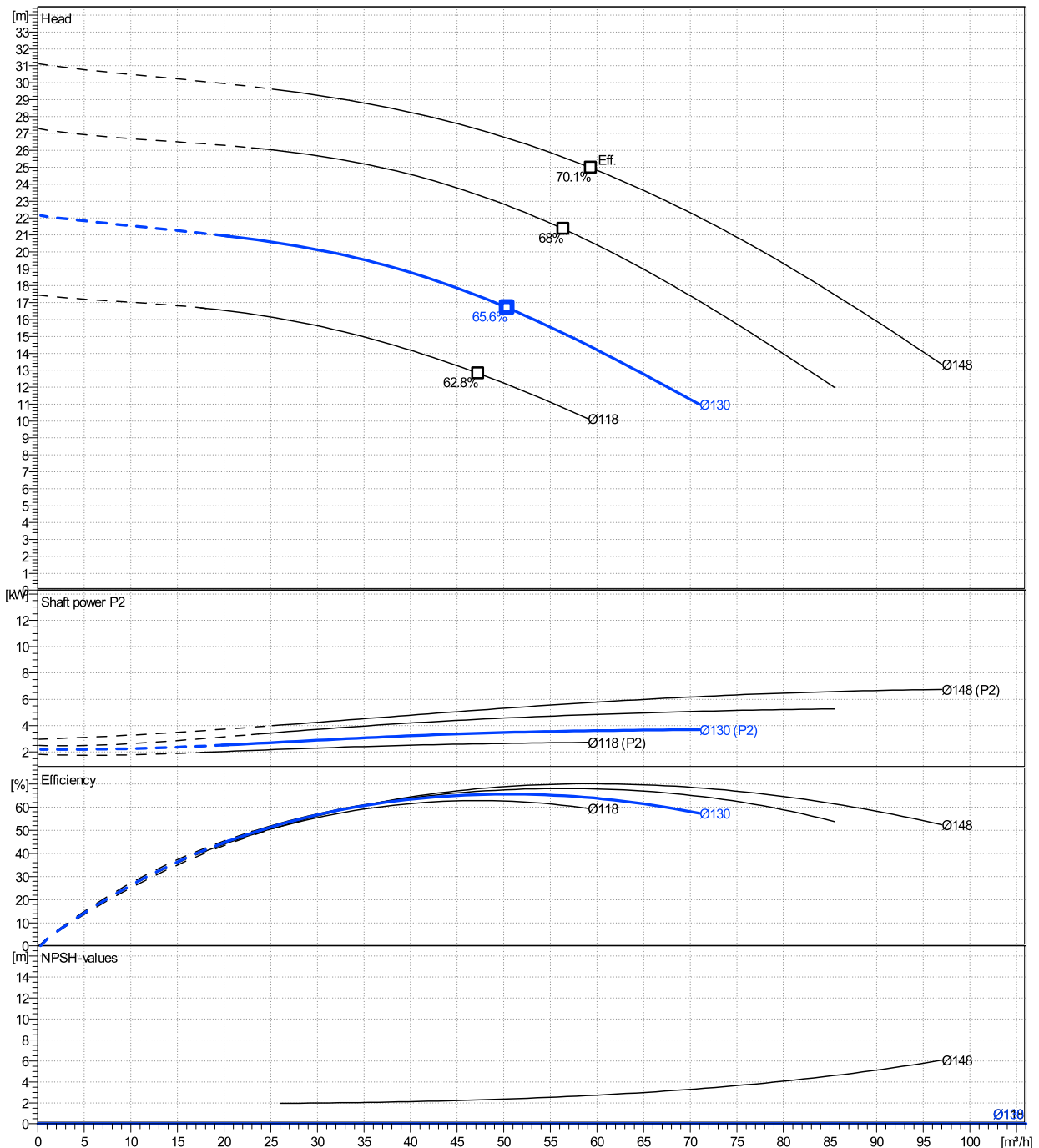
| | Ø mm | Pump capacity | | | Pump head | | Shaft power P2 | | | Frequency | Hz | |
|--------|---------|------------------------------|-----------|----------------|-------------|-------------|----------------|---------|--------------|-----------------|------|---|
| | | Operating range Min. m³/h | Max. m³/h | η Max. m³/h | H(Q=0) m | η Max. m | P2(Q=0) kW | Max. kW | η Max. kW | Operating speed | rpm | |
| actual | 130 | 20.4 | 71 | 50.4 | 22.1 | 16.7 | | 3.71 | 3.49 | Nominal flow | m³/h | 0 |
| Min. | 0 | / | / | 47.3 | 17.5 | 12.8 | | / | 2.62 | Nominal head | m | 0 |
| Max. | 148 | / | / | 59.4 | 31.1 | 25 | | / | 5.76 | Inlet pressure | kPa | 0 |
| | | | | | | | | | | Static head | m | 0 |

Power datas referred to:

hydr. Performance acceptance acc. To EN ISO 9906 Class Grade 3B

Water, pure [100%] ; 4°C; 1000kg/m³; 1.57mm²/s

MEI: N.A - according to Ecodesign Directive 2009/125/EC and Regulation (EU) No.547/2012



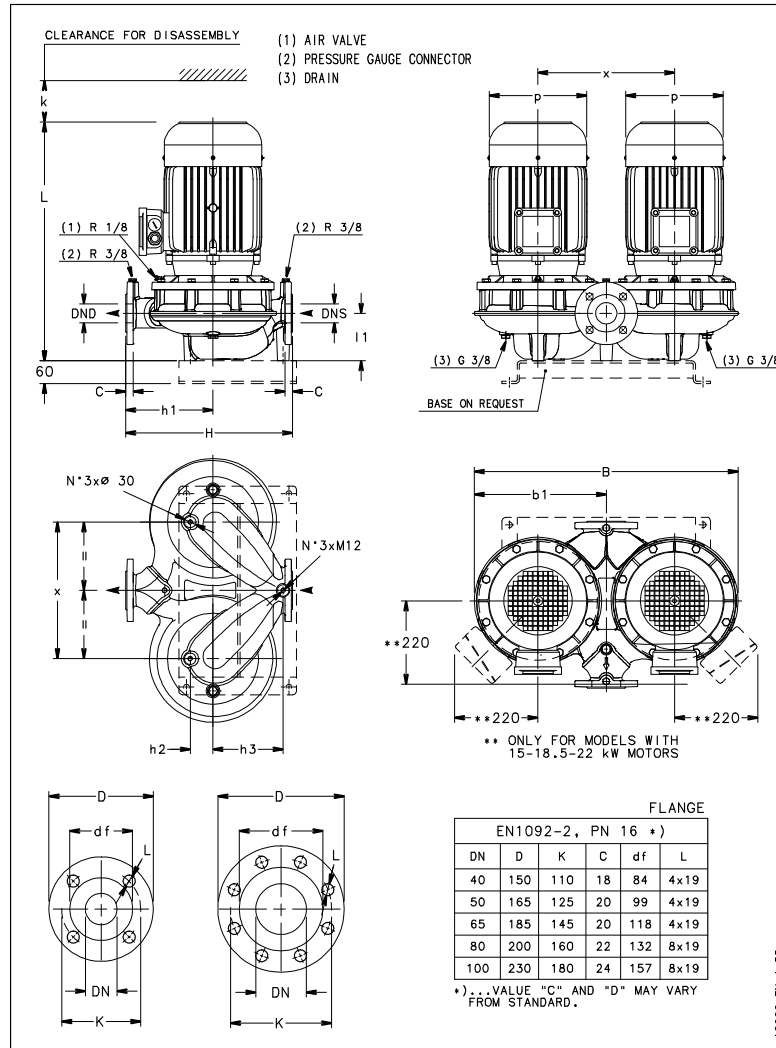
LNTE 65-125/40/P25VCS4

Dimensions

Company name
Contact
Phone number
e-mail address

Close coupled
2 poles motor
PLM 112R B14 4 kW

Electrical and dimensional data refer to IE3 motor



Dimensions [mm]

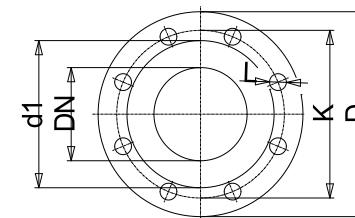
| | |
|-----|-----|
| B | 646 |
| b1 | 323 |
| DND | 65 |
| DNS | 65 |
| H | 360 |
| h1 | 190 |
| h2 | 75 |
| h3 | 140 |
| k | 100 |
| L | 547 |
| l1 | 122 |
| p | 197 |
| x | 360 |

Weight

| | |
|---------------------|---------------|
| Total weight | 112 kg |
|---------------------|---------------|

Connections

| Suction nozzle | | Discharge nozzle | |
|----------------|--------|------------------|--------|
| DN 65 | | DN 65 | |
| PN 16 | | PN 16 | |
| EN1092-2 | | EN1092-2 | |
| C | 20 | C | 20 |
| D | 185 | D | 185 |
| df | 118 | df | 118 |
| DN | 65 | DN | 65 |
| K | 145 | K | 145 |
| L | 4 x 19 | L | 4 x 19 |



Value C, D may vary from Standard

Dimensions and weight without obligation

Project Xylect-20969354
Block LNTE 65-125/75/P25VCS4

Created by
Created on 8/8/2023

Last update 8/8/2023