

# LNTE 50-250/150/P25VCS4

## Technical data

Company name  
Contact  
Phone number  
e-mail address

Operating data				
1	Pumpe type	Single head pump	Fluid	Water, pure
2	No. of pumps	1	Operating temperature t A	°C 4
3	Nominal flow	m³/h 0	Max / Min Operating Temperature mech. Seal	°C 120 / -25
4	Nominal head	m 0	pH-value at t A	7
5	Static head	m 0	Density at t A	kg/m³ 1000
6	Inlet pressure	kPa 0	Kin. viscosity at t A	mm²/s 1.569
7	Environmental temperature	°C 20	Vapor pressure at t A	kPa 100
8	Available system NPSH	m 0	Altitude	0

Pump data			
9	Lubrication	Standard, Grease lubrication [Std]	
10	Execution	2 poles motor	
11	Design	In-Line single twin head	
12	Operating speed	2900 rpm	Stages 1
13	Suction nozzle	DN 50 / PN 16 / EN1092-2	Impeller Ø
14	Discharge nozzle	DN 50 / PN 16 / EN1092-2	
15	Max. casing pressure	kPa	Flow
16	Max. working pressure	kPa 705.5	
17	Impeller type	Radial impeller	
18	Head H(Q=0)	m 72	Head
19	Max. shaft power	kW 14.6	
20	Pump weight	kg	Shaft power
21	Total weight	kg 289.0	
			Efficiency
			NPSH 3%

Materials			
Pump		Shaft Seal	
22			
23	Volute Casing	Cast Iron	Single mechanical seal, without shaft sleeve
24	Casing Cover	Cast Iron	eMG12 - Ø28mm
25	Impeller	Stainless steel / AISI 304	Mechanical seal diameter
26	Stub shaft	Stainless steel / AISI 316L	28 mm
27	Wear ring	Stainless steel / AISI 304	1. Rotating ring
28	Impeller lock nut and washer	Stainless steel / AISI 304	2. Stationary ring
29	Impeller key	Stainless steel / AISI 316L	3. Secondary seal
30	Fill and draing plugs	Nickel-plated brass	4. Springs
31			5. Others
32			Gaskets of the pump
33			Ethylene propylene rubber (EPDM)
34			
35			
36			
37			
38			
39			
40			
41			

Motor data			
Electrical and dimensional data refer to IE3 motor			
42	Manufacturer	Lowara	
43	Specific design	IE3 3ph Flange Motor	
44	Type	PLM 160 B14 15 kW	
45	Rated power	15 kW	Rated current 26.6 A
46	Nominal speed	2940 rpm	Rated voltage 400 V
47	Frame size	160	Service factor 1
48	Weight	kg 110.8	Degree of protection IP55

Remarks			
49			
50			
50			
52			

# LNTE 50-250/150/P25VCS4

## Performance curve

Company name  
Contact  
Phone number  
e-mail address

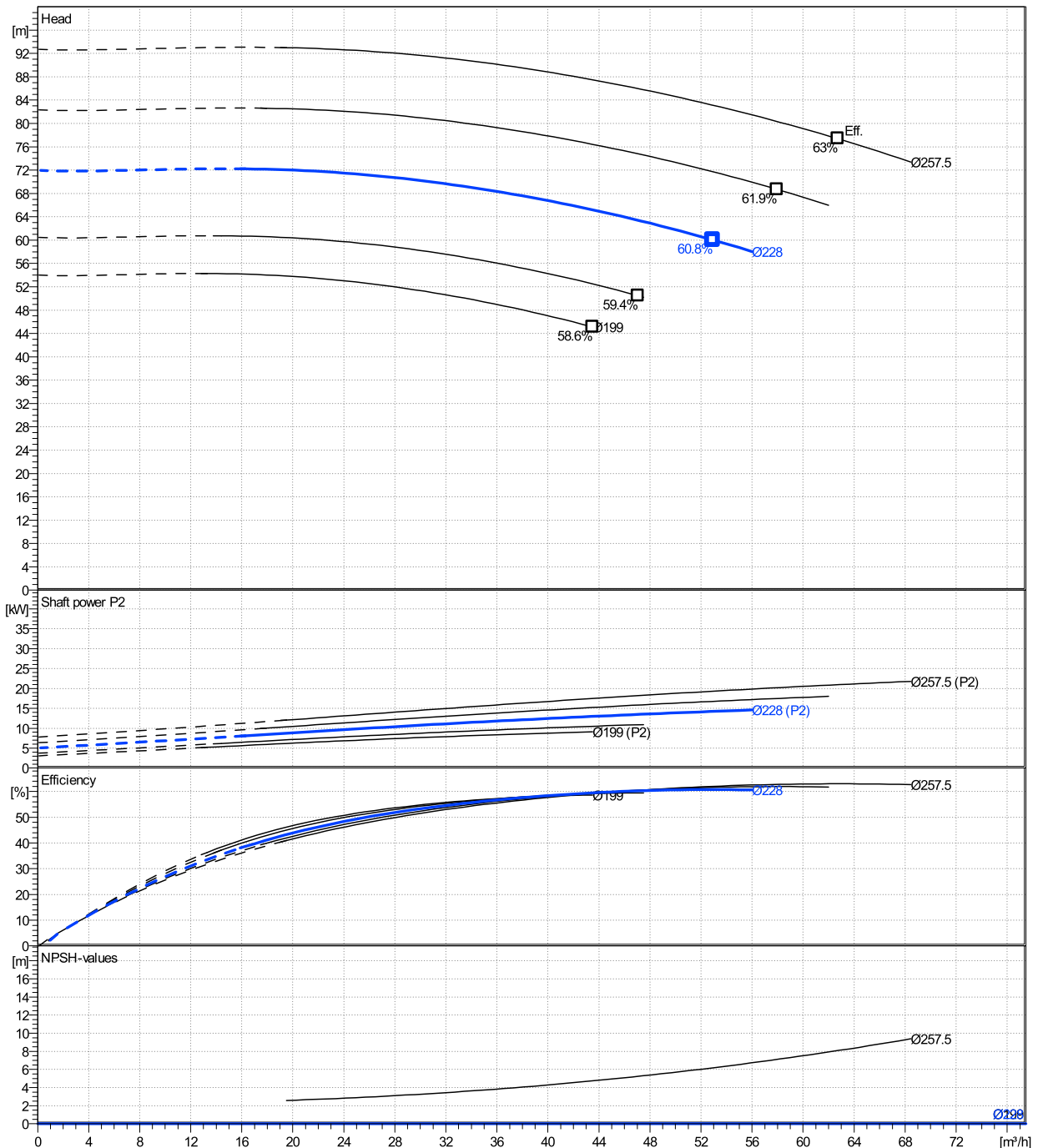
	Ø mm	Pump capacity Operating range η			Pump head η		Shaft power P2 η			Frequency	Hz	50
		Min. m³/h	Max. m³/h	Max. m³/h	H(Q=0) m	Max. m	P2(Q=0) kW	Max. kW	Max. kW	Operating speed	rpm	2900
actual	228	16.3	56	52.9	71.9	60	14.6	14.2		Nominal flow	m³/h	0
Min.	0	/	/	43.5	54	45.1	/	9.13		Nominal head	m	0
Max.	257	/	/	62.7	92.7	77.4	/	21		Inlet pressure	kPa	0
										Static head	m	0

**Power datas referred to:**

hydr. Performance acceptance acc. To EN ISO 9906 Class Grade 3B

Water, pure [100%] ; 4°C; 1000kg/m³; 1.57mm²/s

MEI: N.A - according to Ecodesign Directive 2009/125/EC and Regulation (EU) No.547/2012



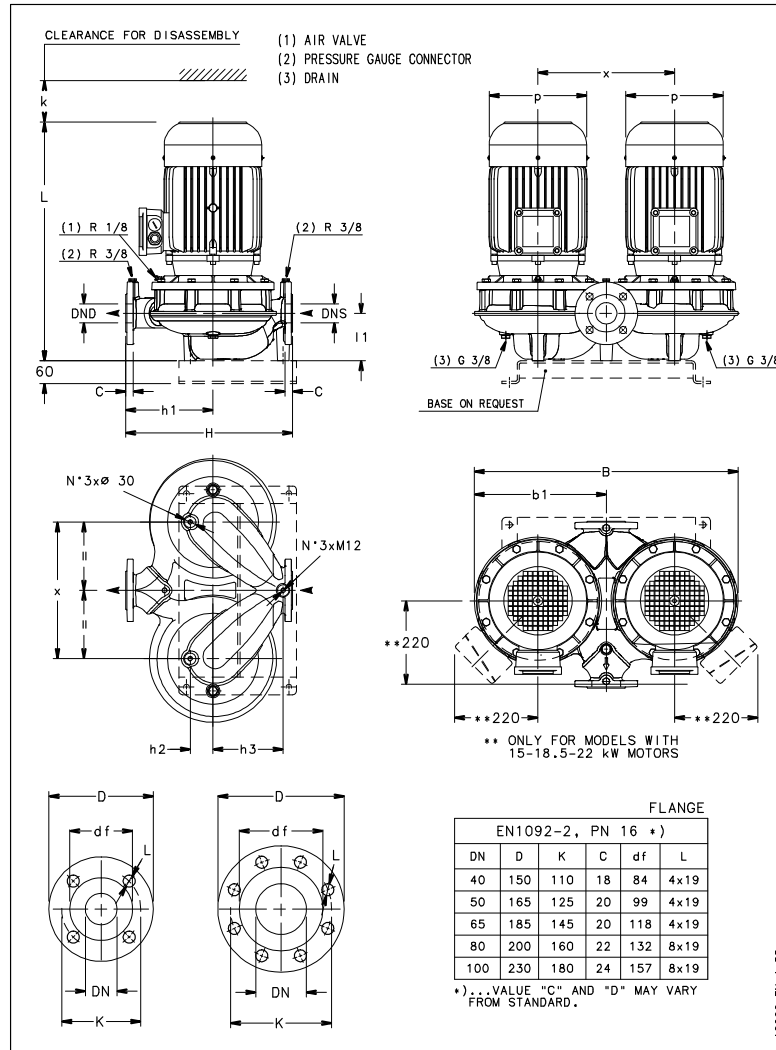
# LNTE 50-250/150/P25VCS4

## Dimensions

Company name  
Contact  
Phone number  
e-mail address

Close coupled  
2 poles motor  
PLM 160 B14 15 kW

Electrical and dimensional data refer to IE3 motor



### Dimensions [ mm ]

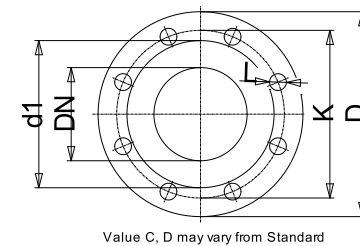
B	745
b1	372.5
DND	50
DNS	50
H	440
h1	230
h2	60
h3	185
k	108
L	709
l1	115
p	313
x	410

### Weight

<b>Total weight</b>	<b>289 kg</b>
---------------------	---------------

### Connections

Suction nozzle		Discharge nozzle	
DN 50		DN 50	
PN 16		PN 16	
EN1092-2		EN1092-2	
C	20	C	20
D	165	D	165
df	99	df	99
DN	50	DN	50
K	125	K	125
L	4 x 19	L	4 x 19



### Dimensions and weight without obligation

Project	Xylect-20969310
Block	LNTE 50-250/220/P25VCS4

Created by  
Created on 8/8/2023

Last update 8/8/2023