

# LNTE 50-160/75/P25VCS4

## Technical data

Company name  
Contact  
Phone number  
e-mail address

| Operating data |                           |                   |    |  |                          |
|----------------|---------------------------|-------------------|----|--|--------------------------|
| 1              | Pumpe type                | Single head pump  |    | Fluid                                      | Water, pure              |
| 2              | No. of pumps              | 1                 |    | Operating temperature t A                  | °C 4                     |
| 3              | Nominal flow              | m <sup>3</sup> /h | 0  | Max / Min Operating Temperature mech. Seal | °C 120 / -25             |
| 4              | Nominal head              | m                 | 0  | pH-value at t A                            | 7                        |
| 5              | Static head               | m                 | 0  | Density at t A                             | kg/m <sup>3</sup> 1000   |
| 6              | Inlet pressure            | kPa               | 0  | Kin. viscosity at t A                      | mm <sup>2</sup> /s 1.569 |
| 7              | Environmental temperature | °C                | 20 | Vapor pressure at t A                      | kPa 100                  |
| 8              | Available system NPSH     | m                 | 0  | Altitude                                   | 0                        |

| Pump data |                       |                                    |         |             |                           |
|-----------|-----------------------|------------------------------------|---------|-------------|---------------------------|
| 9         | Lubrication           | Standard, Grease lubrication [Std] |         |             |                           |
| 10        | Execution             | 2 poles motor                      |         |             |                           |
| 11        | Design                | In-Line single twin head           |         |             |                           |
| 12        | Operating speed       | 2900 rpm                           | Stages  | 1           |                           |
| 13        | Suction nozzle        | DN 50 /                            | PN 16 / | EN1092-2    |                           |
| 14        | Discharge nozzle      | DN 50 /                            | PN 16 / | EN1092-2    |                           |
| 15        | Max. casing pressure  | kPa                                |         | Impeller Ø  | Max. mm 165               |
| 16        | Max. working pressure | kPa                                | 387     |             | designed mm 165           |
| 17        | Impeller type         | Radial impeller                    |         |             | Min. mm 127               |
| 18        | Head H(Q=0)           | m                                  | 39      |             |                           |
| 19        | Max. shaft power      | kW                                 | 6.9     |             |                           |
| 20        | Pump weight           | kg                                 |         |             |                           |
| 21        | Total weight          | kg                                 | 156.0   |             |                           |
|           |                       |                                    |         | Flow        | Nominal m <sup>3</sup> /h |
|           |                       |                                    |         |             | Max- m <sup>3</sup> /h 56 |
|           |                       |                                    |         |             | Min- m <sup>3</sup> /h 15 |
|           |                       |                                    |         | Head        | Nominal m                 |
|           |                       |                                    |         |             | at Qmax m 30              |
|           |                       |                                    |         |             | at Qmin m 38.9            |
|           |                       |                                    |         | Shaft power | kW                        |
|           |                       |                                    |         | Efficiency  | %                         |
|           |                       |                                    |         | NPSH 3%     | m                         |

| Materials |                              |                             |            |  |   |
|-----------|------------------------------|-----------------------------|------------|--|---|
| Pump      |                              |                             | Shaft Seal |  |   |
| 22        |                              |                             |            |  |   |
| 23        | Volute Casing                | Cast Iron                   |            | Single mechanical seal, without shaft sleeve |   |
| 24        | Casing Cover                 | Cast Iron                   |            | eMG12 - Ø22mm                                | BQ7EGG-WA                                 |
| 25        | Impeller                     | Stainless steel / AISI 304  |            | Mechanical seal diameter                     | 22 mm                                     |
| 26        | Stub shaft                   | Stainless steel / AISI 316L |            | 1. Rotating ring                             | Carbon graphite resin impregnated         |
| 27        | Wear ring                    | Stainless steel / AISI 304  |            | 2. Stationary ring                           | SiC, silicon carbide, sintered press.less |
| 28        | Impeller lock nut and washer | Stainless steel / AISI 304  |            | 3. Secondary seal                            | Ethylene propylene rubber (EPDM)          |
| 29        | Impeller key                 | Stainless steel / AISI 316L |            | 4. Springs                                   | CrNiMo - Steel                            |
| 30        | Fill and draing plugs        | Nickel-plated brass         |            | 5. Others                                    | EPDM - WRAS                               |
| 31        |                              |                             |            | Gaskets of the pump                          | Ethylene propylene rubber (EPDM)          |
| 32        |                              |                             |            |  |   |
| 33        |                              |                             |            |  |   |
| 34        |                              |                             |            |  |   |
| 35        |                              |                             |            |  |   |
| 36        |                              |                             |            |  |   |
| 37        |                              |                             |            |  |   |
| 38        |                              |                             |            |  |   |
| 39        |                              |                             |            |  |   |
| 40        |                              |                             |            |  |   |
| 41        |                              |                             |            |  |   |

| Motor data   |                 |                      |                      |        |  |
|--|-----------------|----------------------|----------------------|--------|--|
| Electrical and dimensional data refer to IE3 motor |                 |                      |                      |        |  |
| 42   | Manufacturer    | Lowara               |                      |        |  |
| 43   | Specific design | IE3 3ph Flange Motor |                      |        |  |
| 44   | Type            | PLM 132 B14 7,5 kW   |                      |        |  |
| 45   | Rated power     | 7.5 kW               | Rated current        | 14.1 A |  |
| 46   | Nominal speed   | 2920 rpm             | Rated voltage        | 400 V  |  |
| 47   | Frame size      | 132                  | Service factor       | 1      |  |
| 48   | Weight          | kg 55.8              | Degree of protection | IP55   |  |

| Remarks |  |  |  |  |  |
|---------|--|--|--|--|--|
| 49      |  |  |  |  |  |
| 50      |  |  |  |  |  |
| 50      |  |  |  |  |  |
| 52      |  |  |  |  |  |

# LNTE 50-160/75/P25VCS4

## Performance curve

Company name  
Contact  
Phone number  
e-mail address

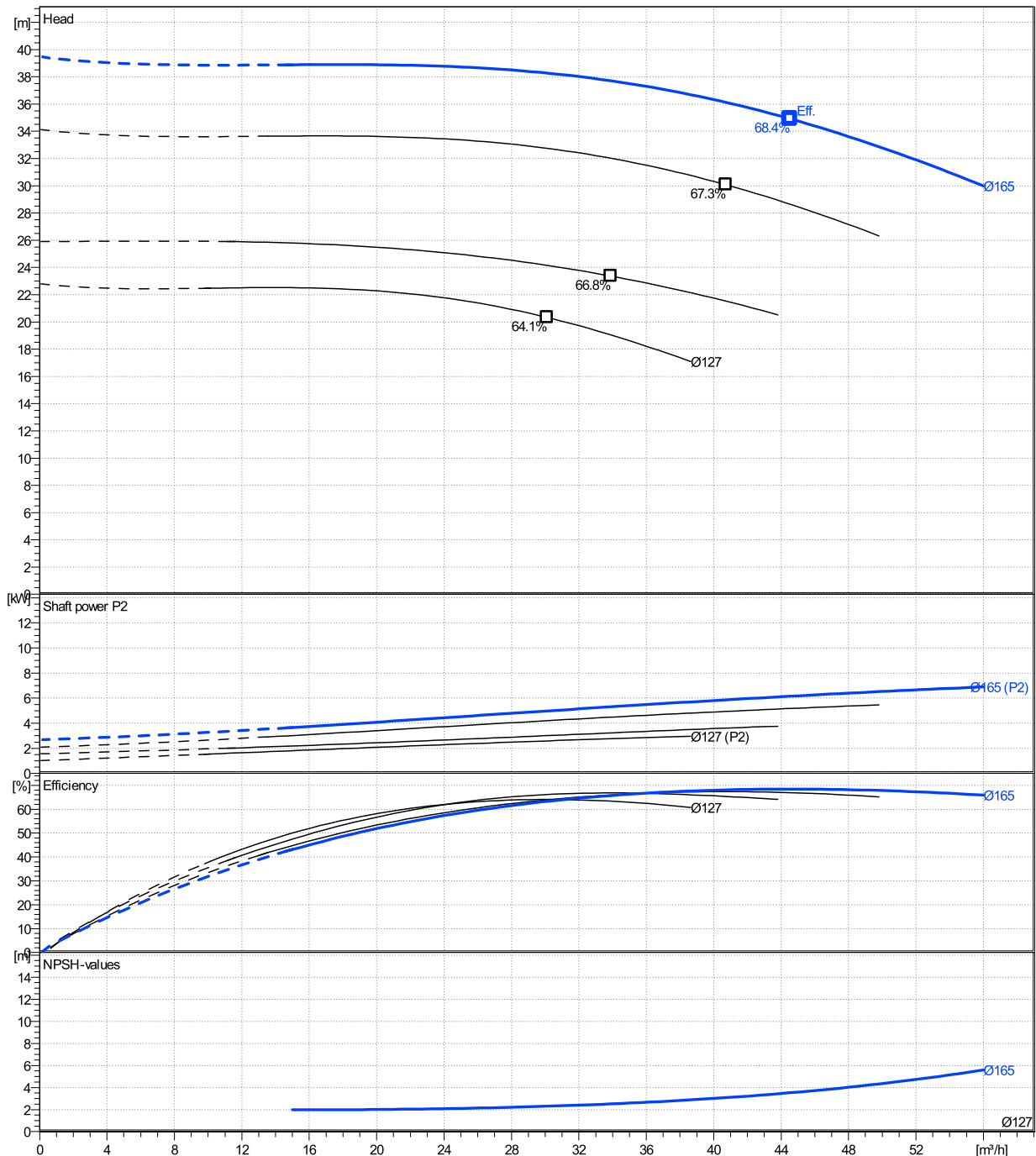
|        | Ø<br>mm | Pump capacity                |           |                | Pump head   |             | Shaft power P2 |         |              | Frequency       | Hz   | 50   |
|--------|---------|------------------------------|-----------|----------------|-------------|-------------|----------------|---------|--------------|-----------------|------|------|
|        |         | Operating range<br>Min. m³/h | Max. m³/h | η<br>Max. m³/h | H(Q=0)<br>m | η<br>Max. m | P2(Q=0)<br>kW  | Max. kW | η<br>Max. kW | Operating speed | rpm  | 2900 |
| actual | 165     | 15                           | 56        | 44.5           | 39.5        | 34.9        |                | 6.9     | 6.16         | Nominal flow    | m³/h | 0    |
| Min.   | 0       | /                            | /         | 30.1           | 22.8        | 20.3        |                | /       | 2.6          | Nominal head    | m    | 0    |
| Max.   | 165     | /                            | /         | 44.5           | 39.5        | 34.9        |                | /       | 6.16         | Inlet pressure  | kPa  | 0    |
|        |         |                              |           |                |             |             |                |         |              | Static head     | m    | 0    |

**Power datas referred to:**

hydr. Performance acceptance acc. To EN ISO 9906 Class Grade 3B

Water, pure [100%] ; 4°C; 1000kg/m³; 1.57mm²/s

MEI: N.A - according to Ecodesign Directive 2009/125/EC and Regulation (EU) No.547/2012



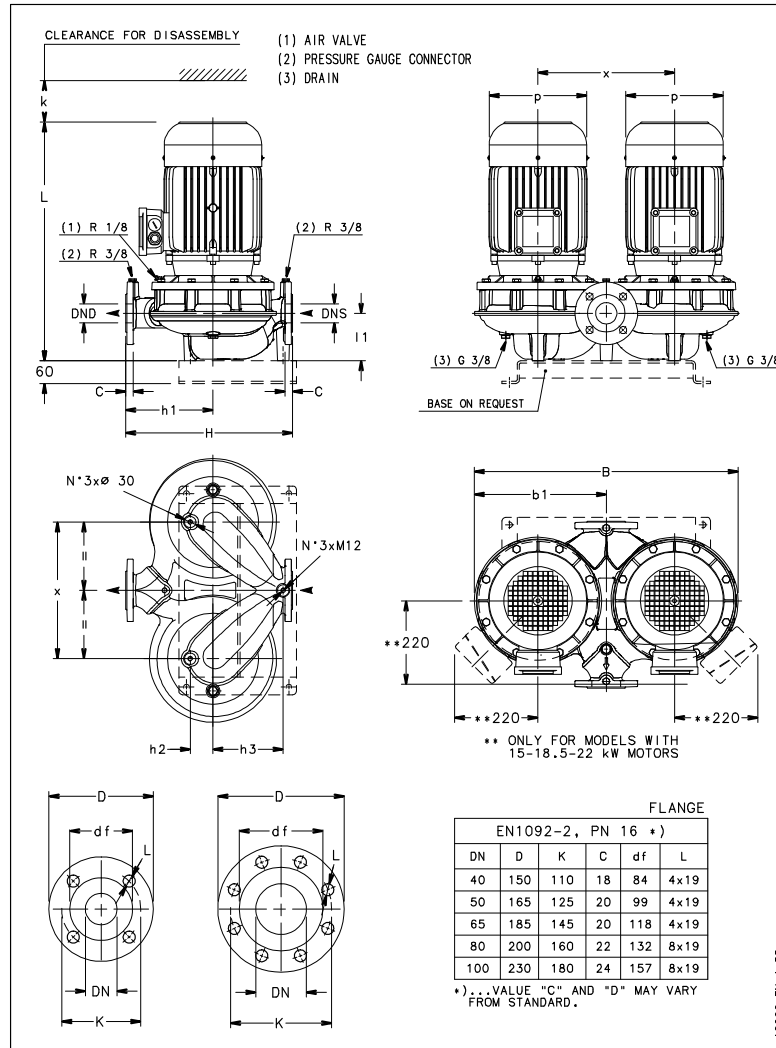
# LNTE 50-160/75/P25VCS4

## Dimensions

Company name  
Contact  
Phone number  
e-mail address

Close coupled  
2 poles motor  
PLM 132 B14 7,5 kW

Electrical and dimensional data refer to IE3 motor



### Dimensions [ mm ]

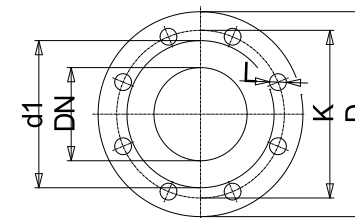
|     |     |
|-----|-----|
| B   | 555 |
| b1  | 275 |
| DND | 50  |
| DNS | 50  |
| H   | 340 |
| h1  | 190 |
| h2  | 57  |
| h3  | 120 |
| k   | 96  |
| L   | 583 |
| l1  | 116 |
| p   | 256 |
| x   | 310 |

### Weight

|                     |               |
|---------------------|---------------|
| <b>Total weight</b> | <b>156 kg</b> |
|---------------------|---------------|

### Connections

| Suction nozzle |        | Discharge nozzle |        |
|----------------|--------|------------------|--------|
| DN 50          |        | DN 50            |        |
| PN 16          |        | PN 16            |        |
| EN1092-2       |        | EN1092-2         |        |
| C              | 20     | C                | 20     |
| D              | 165    | D                | 165    |
| df             | 99     | df               | 99     |
| DN             | 50     | DN               | 50     |
| K              | 125    | K                | 125    |
| L              | 4 x 19 | L                | 4 x 19 |



Value C, D may vary from Standard

### Dimensions and weight without obligation

Project Xylect-20969244  
Block LNTE 50-160/75/P25VCS4

Created by  
Created on 8/8/2023

Last update 8/8/2023