

LNTE 40-250/150/P25VCS4

Technical data

Company name
Contact
Phone number
e-mail address

Operating data						
1	Pumpe type	Single head pump		Fluid	Water, pure	
2	No. of pumps	1		Operating temperature t A	°C	4
3	Nominal flow	m ³ /h	0	Max / Min Operating Temperature mech. Seal	°C	120 / -25
4	Nominal head	m	0	pH-value at t A		7
5	Static head	m	0	Density at t A	kg/m ³	1000
6	Inlet pressure	kPa	0	Kin. viscosity at t A	mm ² /s	1.569
7	Environmental temperature	°C	20	Vapor pressure at t A	kPa	100
8	Available system NPSH	m	0	Altitude		0

Pump data						
9	Lubrication	Standard, Grease lubrication [Std]				
10	Execution	2 poles motor				
11	Design	In-Line single twin head				Impeller Ø
12	Operating speed	2900 rpm	Stages	1		
13	Suction nozzle	DN 40	/	PN 16	/	EN1092-2
14	Discharge nozzle	DN 40	/	PN 16	/	EN1092-2
15	Max. casing pressure	kPa				
16	Max. working pressure	kPa	879.4			
17	Impeller type	Radial impeller				Head
18	Head H(Q=0)	m	90			
19	Max. shaft power	kW	14.8			Shaft power
20	Pump weight	kg				Efficiency
21	Total weight	kg	277.0			NPSH 3%

Materials						
22		Pump			Shaft Seal	
23	Volute Casing	Cast Iron			Single mechanical seal, without shaft sleeve	
24	Casing Cover	Cast Iron			eMG12 - Ø28mm	BQ7EGG-WA
25	Impeller	Stainless steel / AISI 304			Mechanical seal diameter	28 mm
26	Stub shaft	Stainless steel / AISI 316L			1. Rotating ring	Carbon graphite resin impregnated
27	Wear ring	Stainless steel / AISI 304			2. Stationary ring	SiC, silicon carbide, sintered press. less
28	Impeller lock nut and washer	Stainless steel / AISI 304			3. Secondary seal	Ethylene propylene rubber (EPDM)
29	Impeller key	Stainless steel / AISI 316L			4. Springs	CrNiMo - Steel
30	Fill and draing plugs	Nickel-plated brass			5. Others	EPDM - WRAS
31					Gaskets of the pump	Ethylene propylene rubber (EPDM)
32						
33						
34						
35						
36						
37						
38						
39						
40						
41						

Motor data					
Electrical and dimensional data refer to IE3 motor					
42	Manufacturer	Lowara			
43	Specific design	IE3 3ph Flange Motor			
44	Type	PLM 160 B14 15 kW			
45	Rated power	15 kW	Rated current	26.6 A	
46	Nominal speed	2940 rpm	Rated voltage	400 V	
47	Frame size	160	Service factor	1	
48	Weight	kg 110.8	Degree of protection	IP55	

Remarks					
49					
50					
50					
52					

LNTE 40-250/150/P25VCS4

Performance curve

Company name
Contact
Phone number
e-mail address

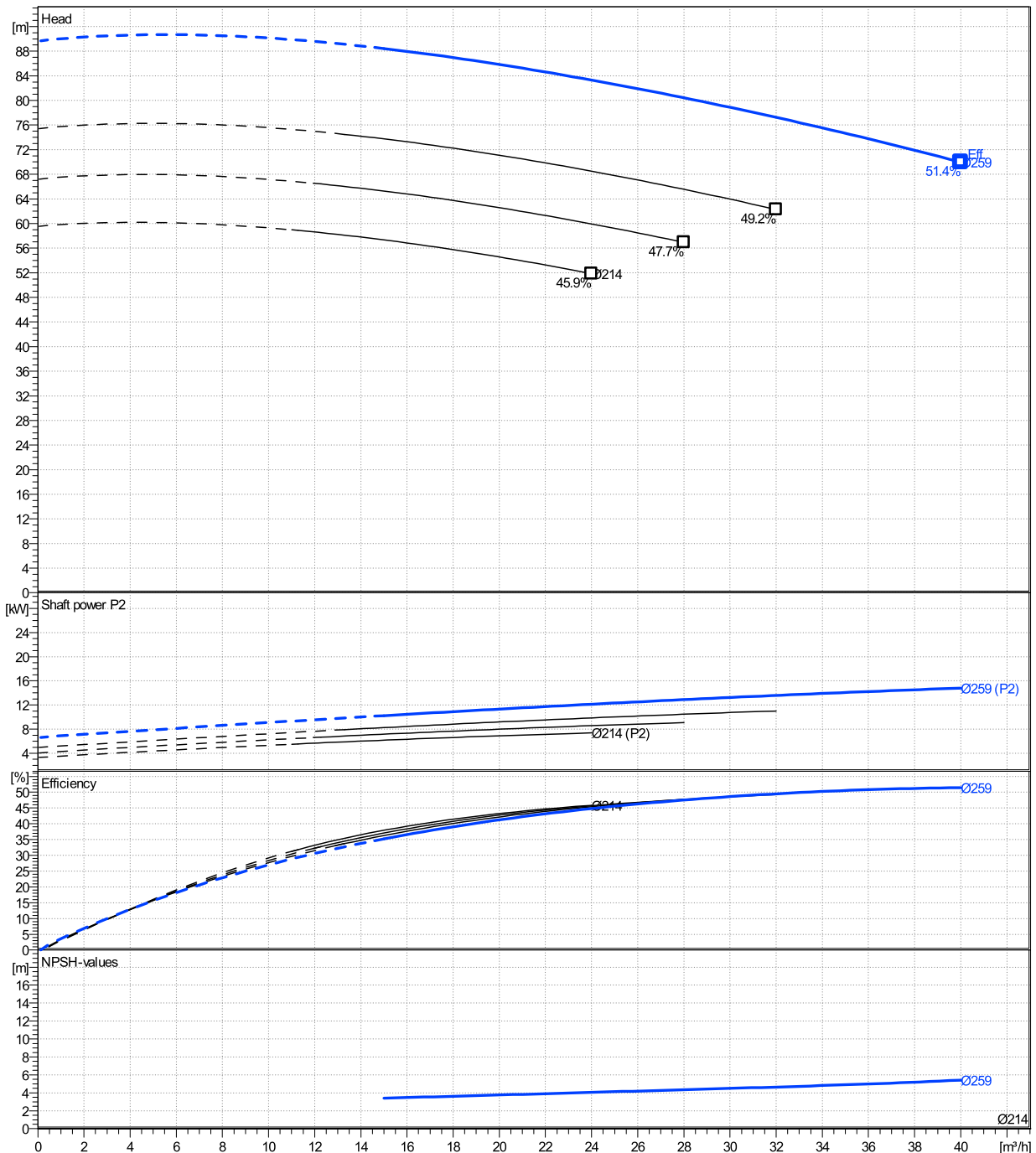
	Ø mm	Pump capacity			Pump head		Shaft power P2			Frequency	Hz	50
		Operating range Min. m³/h	Max. m³/h	η Max. m³/h	H(Q=0) m	η Max. m	P2(Q=0) kW	Max. kW	η Max. kW	Operating speed	rpm	2900
actual	259	15	40	40	89.7	70	14.8	14.8	14.8	Nominal flow	m³/h	0
Min.	0	/	/	24	59.5	51.9	/	7.39	7.39	Nominal head	m	0
Max.	259	/	/	40	89.7	70	/	14.8	14.8	Inlet pressure	kPa	0
										Static head	m	0

Power datas referred to:

hydr. Performance acceptance acc. To EN ISO 9906 Class Grade 3B

Water, pure [100%] ; 4°C; 1000kg/m³; 1.57mm²/s

MEI: N.A - according to Ecodesign Directive 2009/125/EC and Regulation (EU) No.547/2012



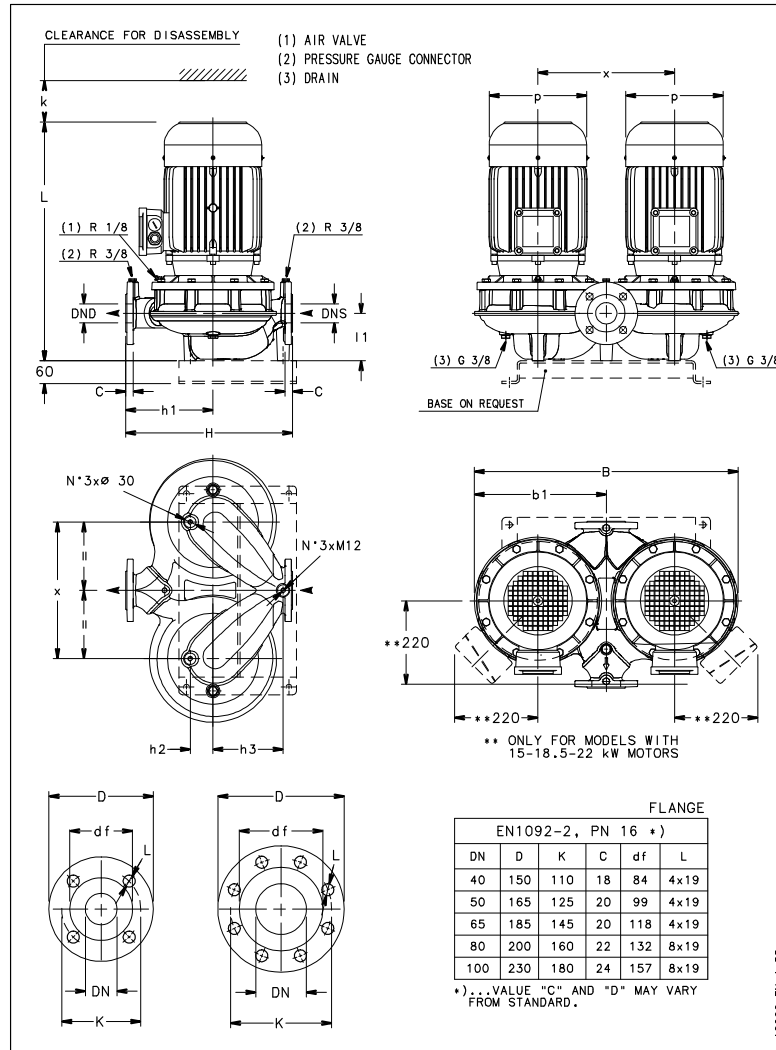
LNTE 40-250/150/P25VCS4

Dimensions

Company name
Contact
Phone number
e-mail address

Close coupled
2 poles motor
PLM 160 B14 15 kW

Electrical and dimensional data refer to IE3 motor



Dimensions [mm]

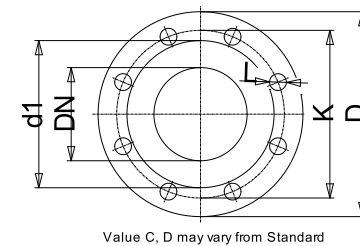
B	745
b1	372.5
DND	40
DNS	40
H	440
h1	220
h2	65
h3	193
k	104
L	702
l1	110
p	313
x	410

Weight

Total weight	277 kg
---------------------	---------------

Connections

Suction nozzle		Discharge nozzle	
DN 40		DN 40	
PN 16		PN 16	
EN1092-2		EN1092-2	
C	18	C	18
D	150	D	150
df	84	df	84
DN	40	DN	40
K	110	K	110
L	4 x 19	L	4 x 19



Dimensions and weight without obligation

Project	Xylect-20969204
Block	LNTE 40-250/150/P25VCS4

Created by
Created on 8/8/2023

Last update 8/8/2023