

# LNTE 40-250/110/P25VCS4

## Technical data

Company name  
Contact  
Phone number  
e-mail address

Operating data						
1	Pumpe type	Single head pump		Fluid	Water, pure	
2	No. of pumps	1		Operating temperature t A	°C	4
3	Nominal flow	m <sup>3</sup> /h	0	Max / Min Operating Temperature mech. Seal	°C	120 / -25
4	Nominal head	m	0	pH-value at t A		7
5	Static head	m	0	Density at t A	kg/m <sup>3</sup>	1000
6	Inlet pressure	kPa	0	Kin. viscosity at t A	mm <sup>2</sup> /s	1.569
7	Environmental temperature	°C	20	Vapor pressure at t A	kPa	100
8	Available system NPSH	m	0	Altitude		0

Pump data						
9	Lubrication	Standard, Grease lubrication [Std]				
10	Execution	2 poles motor				
11	Design	In-Line single twin head				Impeller Ø
12	Operating speed	2900 rpm	Stages	1		Max. mm 259
13	Suction nozzle	DN 40 /	PN 16 /	EN1092-2		designed mm 239
14	Discharge nozzle	DN 40 /	PN 16 /	EN1092-2		Min. mm 214
15	Max. casing pressure	kPa				Nominal m <sup>3</sup> /h
16	Max. working pressure	kPa	739.8			Max- m <sup>3</sup> /h 32
17	Impeller type	Radial impeller				Min- m <sup>3</sup> /h 13.3
18	Head H(Q=0)	m	75			Nominal m
19	Max. shaft power	kW	11			at Qmax m 62.3
20	Pump weight	kg				at Qmin m 74.5
21	Total weight	kg	197.0			Shaft power kW
						Efficiency %
						NPSH 3% m

Materials						
Pump			Shaft Seal			
22				Single mechanical seal, without shaft sleeve		
23	Volute Casing	Cast Iron		eMG12 - Ø28mm		BQ7EGG-WA
24	Casing Cover	Cast Iron		Mechanical seal diameter		28 mm
25	Impeller	Stainless steel / AISI 304		1. Rotating ring		Carbon graphite resin impregnated
26	Stub shaft	Stainless steel / AISI 316L		2. Stationary ring		SiC, silicon carbide, sintered press.less
27	Wear ring	Stainless steel / AISI 304		3. Secondary seal		Ethylene propylene rubber (EPDM)
28	Impeller lock nut and washer	Stainless steel / AISI 304		4. Springs		CrNiMo - Steel
29	Impeller key	Stainless steel / AISI 316L		5. Others		EPDM - WRAS
30	Fill and draing plugs	Nickel-plated brass		Gaskets of the pump		Ethylene propylene rubber (EPDM)
31						
32						
33						
34						
35						
36						
37						
38						
39						
40						
41						

Motor data					
Electrical and dimensional data refer to IE3 motor					
42	Manufacturer	Lowara			
43	Specific design	IE3 3ph Flange Motor			
44	Type	PLM 132 B14 11 kW			
45	Rated power	11 kW	Rated current	20.2 A	
46	Nominal speed	2910 rpm	Rated voltage	400 V	
47	Frame size	132	Service factor	1	
48	Weight	kg 102.0	Degree of protection	IP55	

Remarks					
49					
50					
50					
52					

# LNTE 40-250/110/P25VCS4

## Performance curve

Company name  
Contact  
Phone number  
e-mail address

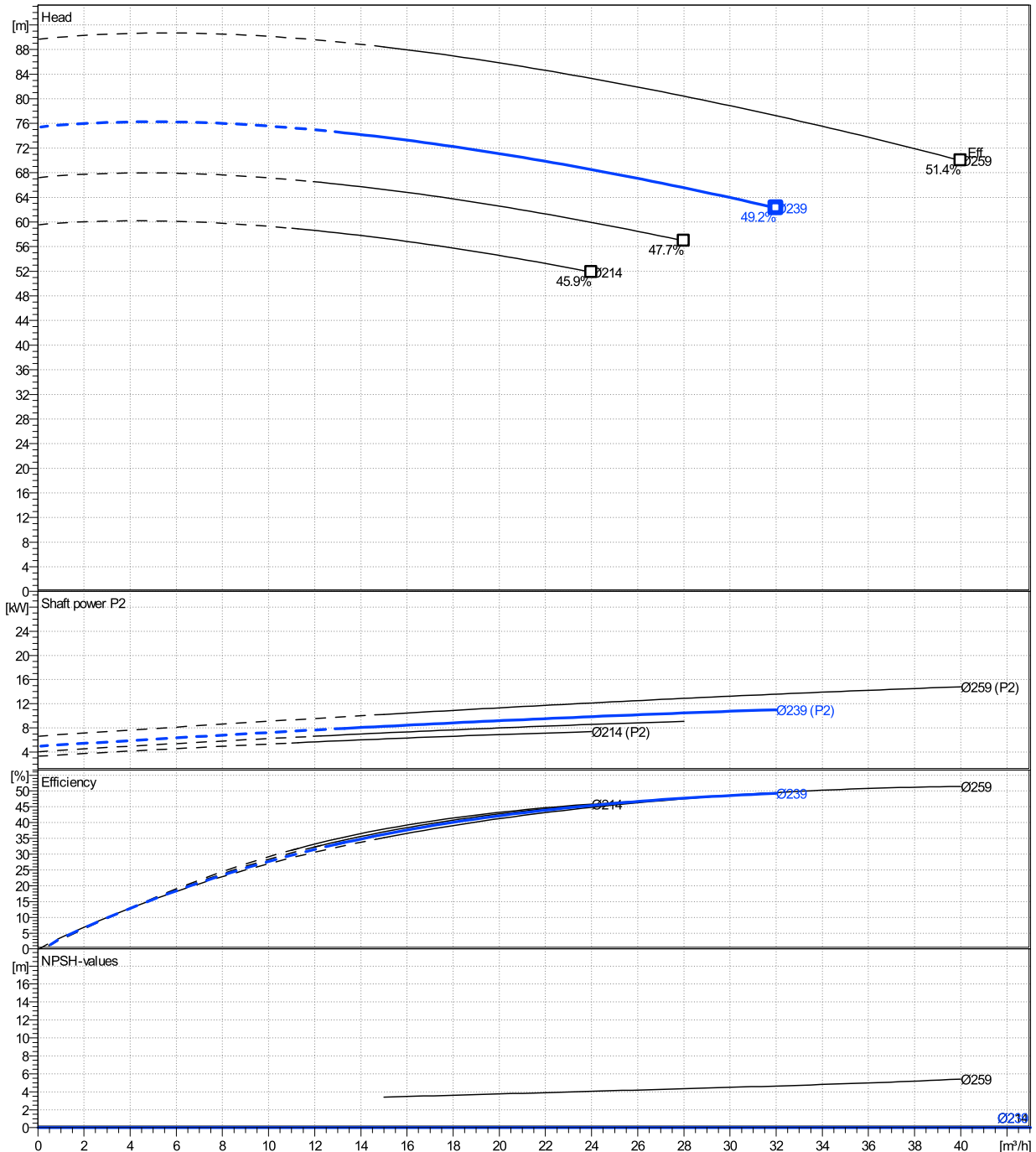
	Ø mm	Pump capacity			Pump head		Shaft power P2			Frequency	Hz	50
		Operating range Min. m³/h	Max. m³/h	η Max. m³/h	H(Q=0) m	η Max. m	P2(Q=0) kW	Max. kW	η Max. kW	Operating speed	rpm	2900
actual	239	13.3	32	32	75.4	62.3		11	11	Nominal flow	m³/h	0
Min.	0	/	/	24	59.5	51.9		/	7.39	Nominal head	m	0
Max.	259	/	/	40	89.7	70		/	14.8	Inlet pressure	kPa	0
										Static head	m	0

**Power datas referred to:**

hydr. Performance acceptance acc. To EN ISO 9906 Class Grade 3B

Water, pure [100%] ; 4°C; 1000kg/m³; 1.57mm²/s

MEI: N.A. - according to Ecodesign Directive 2009/125/EC and Regulation (EU) No.547/2012



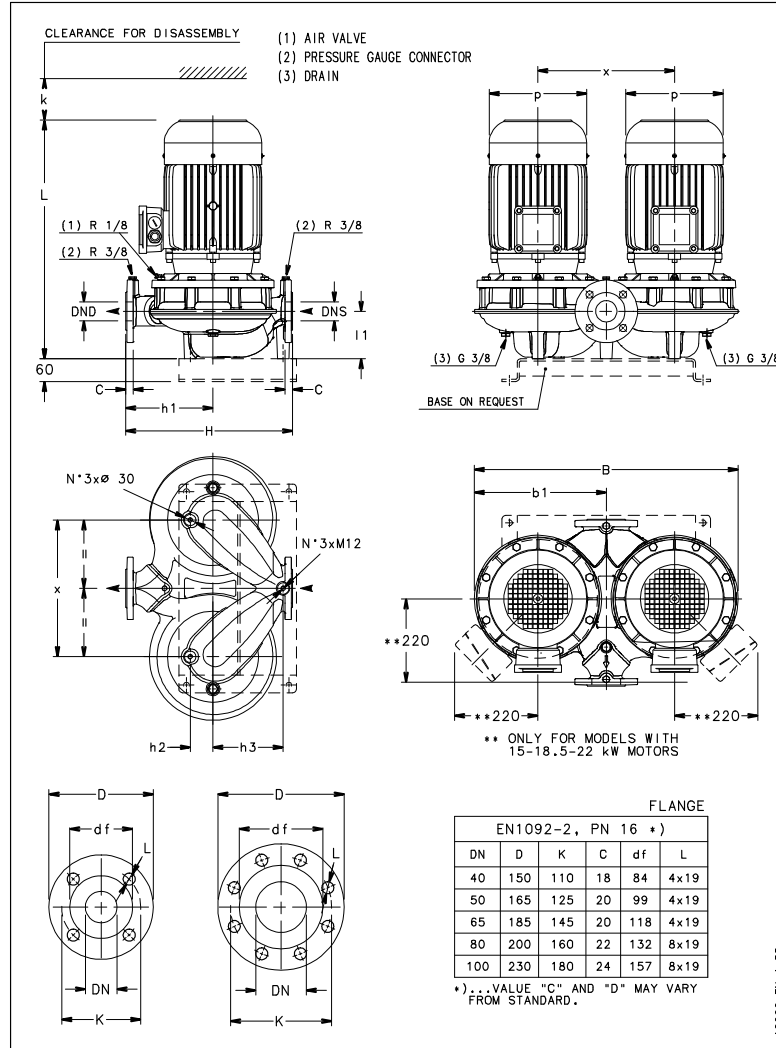
# LNTE 40-250/110/P25VCS4

## Dimensions

Company name  
Contact  
Phone number  
e-mail address

Close coupled  
2 poles motor  
PLM 132 B14 11 kW

Electrical and dimensional data refer to IE3 motor



### Dimensions [ mm ]

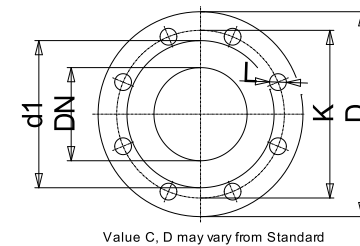
B	745
b1	372.5
DND	40
DNS	40
H	440
h1	220
h2	65
h3	193
k	104
L	613
l1	110
p	256
x	410

### Weight

<b>Total weight</b>	<b>197 kg</b>
---------------------	---------------

### Connections

Suction nozzle		Discharge nozzle	
DN 40		DN 40	
PN 16		PN 16	
EN1092-2		EN1092-2	
C	18	C	18
D	150	D	150
df	84	df	84
DN	40	DN	40
K	110	K	110
L	4 x 19	L	4 x 19



### Dimensions and weight without obligation

Project	Xylect-20969204
Block	LNTE 40-250/150/P25VCS4

Created by  
Created on 8/8/2023

Last update 8/8/2023