

LNTE 40-250/92/P25VCS4

Technical data

Company name
Contact
Phone number
e-mail address

| Operating data | | | | | | |
|----------------|---------------------------|-------------------|----|--|--------------------|-----------|
| 1 | Pumpe type | Single head pump | | Fluid | Water, pure | |
| 2 | No. of pumps | 1 | | Operating temperature t A | °C | 4 |
| 3 | Nominal flow | m ³ /h | 0 | Max / Min Operating Temperature mech. Seal | °C | 120 / -25 |
| 4 | Nominal head | m | 0 | pH-value at t A | | 7 |
| 5 | Static head | m | 0 | Density at t A | kg/m ³ | 1000 |
| 6 | Inlet pressure | kPa | 0 | Kin. viscosity at t A | mm ² /s | 1.569 |
| 7 | Environmental temperature | °C | 20 | Vapor pressure at t A | kPa | 100 |
| 8 | Available system NPSH | m | 0 | Altitude | | 0 |

| Pump data | | | | | | | |
|-----------|-----------------------|------------------------------------|---------|-------------|-------------------|------------|------|
| 9 | Lubrication | Standard, Grease lubrication [Std] | | | | | |
| 10 | Execution | 2 poles motor | | | | | |
| 11 | Design | In-Line single twin head | | | | Impeller Ø | |
| 12 | Operating speed | 2900 rpm | Stages | 1 | | | |
| 13 | Suction nozzle | DN 40 / | PN 16 / | EN1092-2 | | | |
| 14 | Discharge nozzle | DN 40 / | PN 16 / | EN1092-2 | | Flow | |
| 15 | Max. casing pressure | kPa | | Max- | m ³ /h | | 28 |
| 16 | Max. working pressure | kPa | 659.4 | Min- | m ³ /h | 12.3 | |
| 17 | Impeller type | Radial impeller | | | | Head | |
| 18 | Head H(Q=0) | m | 67 | Nominal | m | | |
| 19 | Max. shaft power | kW | 9.1 | at Qmax | m | | 56.9 |
| 20 | Pump weight | kg | | at Qmin | m | 66.4 | |
| 21 | Total weight | kg | 191.0 | Shaft power | kW | | |
| | | | | Efficiency | % | | |
| | | | | NPSH 3% | m | | |

| Materials | | | | | | |
|-----------|------------------------------|-----------------------------|--|--|--|---|
| 22 | | Pump | | | Shaft Seal | |
| 23 | Volute Casing | Cast Iron | | | Single mechanical seal, without shaft sleeve | |
| 24 | Casing Cover | Cast Iron | | | eMG12 - Ø28mm | BQ7EGG-WA |
| 25 | Impeller | Stainless steel / AISI 304 | | | Mechanical seal diameter | 28 mm |
| 26 | Stub shaft | Stainless steel / AISI 316L | | | 1. Rotating ring | Carbon graphite resin impregnated |
| 27 | Wear ring | Stainless steel / AISI 304 | | | 2. Stationary ring | SiC, silicon carbide, sintered press.less |
| 28 | Impeller lock nut and washer | Stainless steel / AISI 304 | | | 3. Secondary seal | Ethylene propylene rubber (EPDM) |
| 29 | Impeller key | Stainless steel / AISI 316L | | | 4. Springs | CrNiMo - Steel |
| 30 | Fill and draing plugs | Nickel-plated brass | | | 5. Others | EPDM - WRAS |
| 31 | | | | | Gaskets of the pump | Ethylene propylene rubber (EPDM) |
| 32 | | | | | | |
| 33 | | | | | | |
| 34 | | | | | | |
| 35 | | | | | | |
| 36 | | | | | | |
| 37 | | | | | | |
| 38 | | | | | | |
| 39 | | | | | | |
| 40 | | | | | | |
| 41 | | | | | | |

| Motor data | | | | | |
|--|-----------------|----------------------|----------------------|--------|--|
| Electrical and dimensional data refer to IE3 motor | | | | | |
| 42 | Manufacturer | Lowara | | | |
| 43 | Specific design | IE3 3ph Flange Motor | | | |
| 44 | Type | PLM 132 B14 9,2 kW | | | |
| 45 | Rated power | 9.2 kW | Rated current | 17.4 A | |
| 46 | Nominal speed | 2920 rpm | Rated voltage | 400 V | |
| 47 | Frame size | 132 | Service factor | 1 | |
| 48 | Weight | kg 70.4 | Degree of protection | IP55 | |

| Remarks | | | | | |
|---------|--|--|--|--|--|
| 49 | | | | | |
| 50 | | | | | |
| 50 | | | | | |
| 52 | | | | | |

LNTE 40-250/92/P25VCS4

Performance curve

Company name
Contact
Phone number
e-mail address

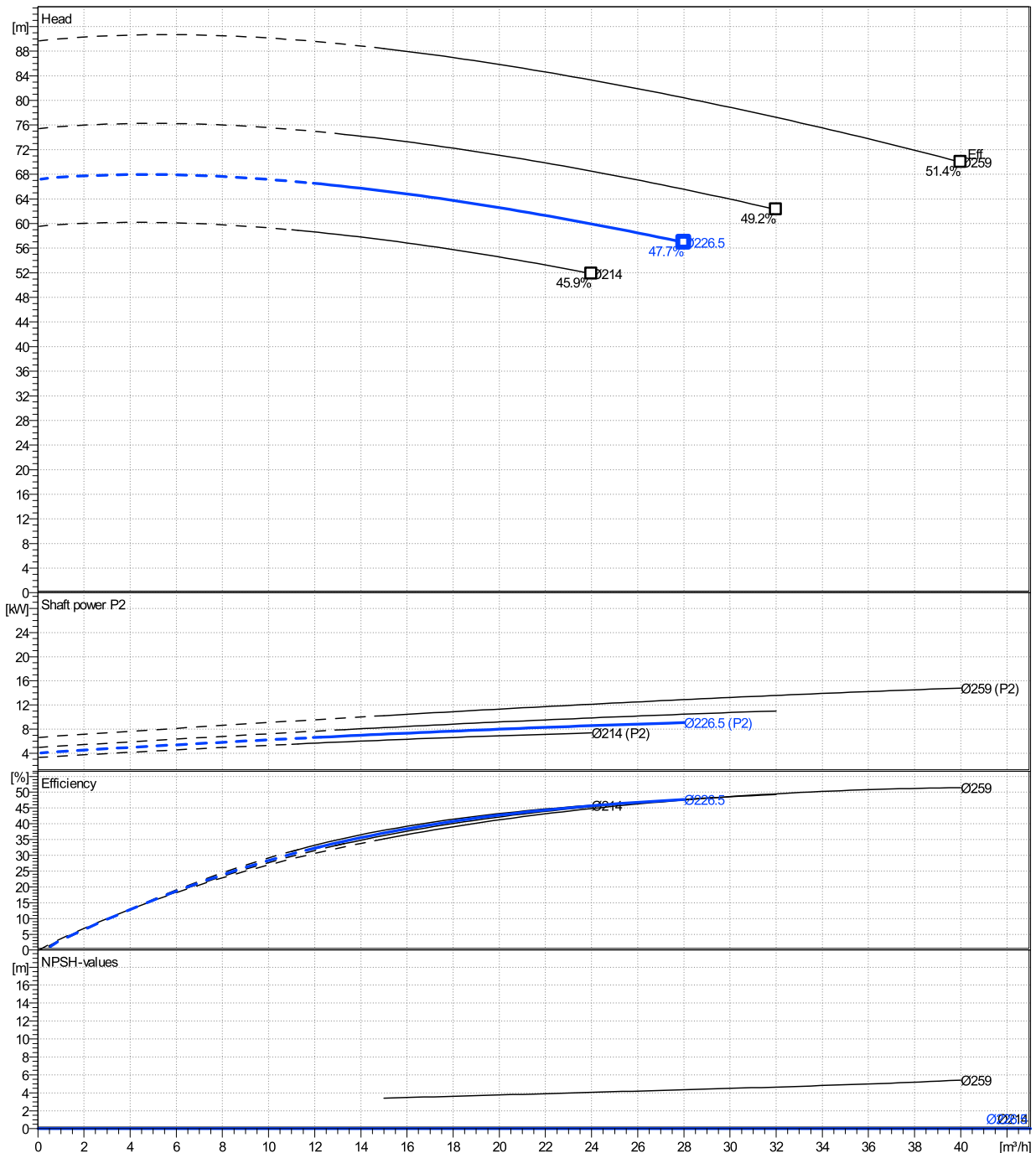
| | Ø mm | Pump capacity | | | Pump head | | Shaft power P2 | | | Frequency | |
|--------|---------|------------------------------|-----------|----------------|-------------|-------------|----------------|---------|--------------|-----------|------|
| | | Operating range Min. m³/h | Max. m³/h | η Max. m³/h | H(Q=0) m | η Max. m | P2(Q=0) kW | Max. kW | η Max. kW | Hz | |
| actual | 226 | 12.3 | 28 | 28 | 67.2 | 56.9 | 9.09 | 9.09 | 9.09 | 50 | 2900 |
| Min. | 0 | / | / | 24 | 59.5 | 51.9 | / | 7.39 | / | | 0 |
| Max. | 259 | / | / | 40 | 89.7 | 70 | / | 14.8 | / | | 0 |

Power datas referred to:

hydr. Performance acceptance acc. To EN ISO 9906 Class Grade 3B

Water, pure [100%] ; 4°C; 1000kg/m³; 1.57mm²/s

MEI: N.A. - according to Ecodesign Directive 2009/125/EC and Regulation (EU) No.547/2012



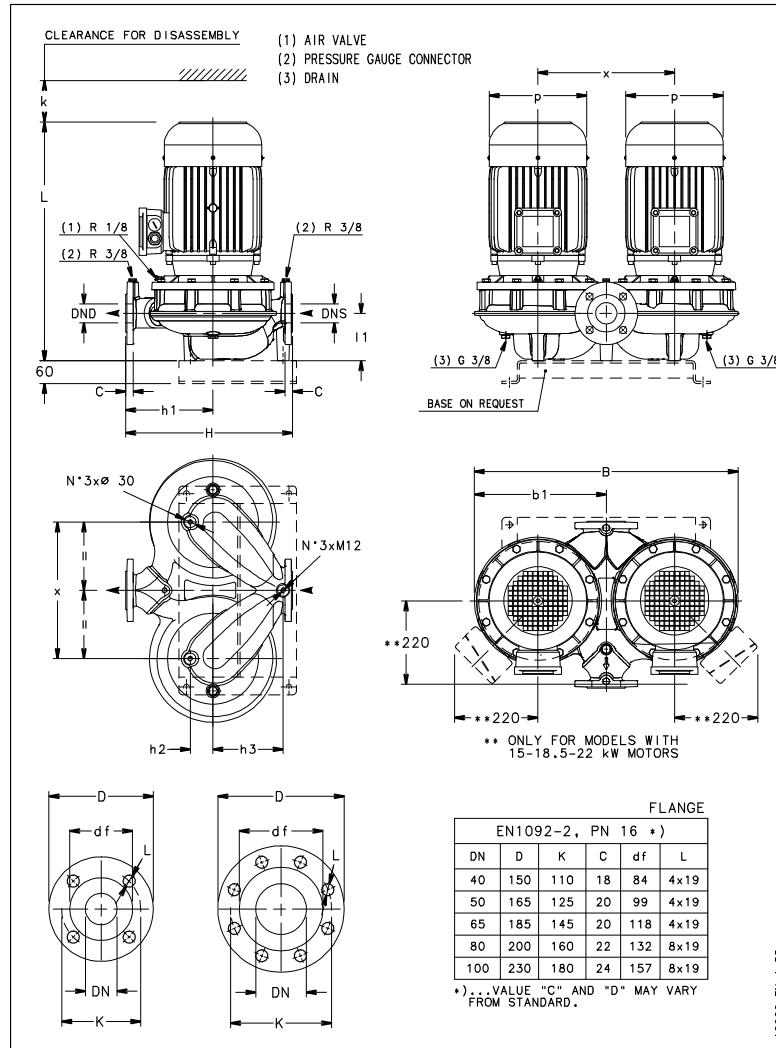
LNTE 40-250/92/P25VCS4

Dimensions

Company name
Contact
Phone number
e-mail address

Close coupled
2 poles motor
PLM 132 B14 9,2 kW

Electrical and dimensional data refer to IE3 motor



Dimensions [mm]

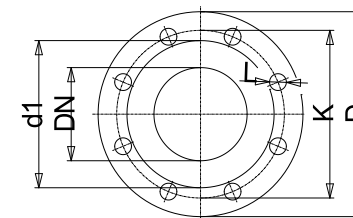
| | |
|-----|-------|
| B | 745 |
| b1 | 372.5 |
| DND | 40 |
| DNS | 40 |
| H | 440 |
| h1 | 220 |
| h2 | 65 |
| h3 | 193 |
| k | 104 |
| L | 613 |
| l1 | 110 |
| p | 256 |
| x | 410 |

Weight

| | |
|---------------------|---------------|
| Total weight | 191 kg |
|---------------------|---------------|

Connections

| Suction nozzle | | Discharge nozzle | |
|----------------|--------|------------------|--------|
| DN 40 | | DN 40 | |
| PN 16 | | PN 16 | |
| EN1092-2 | | EN1092-2 | |
| C | 18 | C | 18 |
| D | 150 | D | 150 |
| df | 84 | df | 84 |
| DN | 40 | DN | 40 |
| K | 110 | K | 110 |
| L | 4 x 19 | L | 4 x 19 |



Value C, D may vary from Standard

Dimensions and weight without obligation

Project Xylect-20969204
Block LNTE 40-250/150/P25VCS4

Created by
Created on 8/8/2023

Last update 8/8/2023