

LNTE 40-200/75/P25VCS4

Technical data

Company name
Contact
Phone number
e-mail address

Operating data				
1	Pumpe type	Single head pump	Fluid	Water, pure
2	No. of pumps	1	Operating temperature t A	°C 4
3	Nominal flow	m ³ /h 0	Max / Min Operating Temperature mech. Seal	°C 120 / -25
4	Nominal head	m 0	pH-value at t A	7
5	Static head	m 0	Density at t A	kg/m ³ 1000
6	Inlet pressure	kPa 0	Kin. viscosity at t A	mm ² /s 1.569
7	Environmental temperature	°C 20	Vapor pressure at t A	kPa 100
8	Available system NPSH	m 0	Altitude	0

Pump data				
9	Lubrication	Standard, Grease lubrication [Std]		
10	Execution	2 poles motor		
11	Design	In-Line single twin head		
12	Operating speed	2900 rpm	Stages	1
13	Suction nozzle	DN 40 /	PN 16 /	EN1092-2
14	Discharge nozzle	DN 40 /	PN 16 /	EN1092-2
15	Max. casing pressure	kPa		
16	Max. working pressure	kPa	554.5	
17	Impeller type	Radial impeller		
18	Head H(Q=0)	m	57	
19	Max. shaft power	kW	7.5	
20	Pump weight	kg		
21	Total weight	kg	179.0	

	Impeller Ø	Flow	Head	Shaft power	Efficiency	NPSH 3%	Max.		Min.	
							mm	mm	m ³ /h	m ³ /h
							205	205	158	
							Nominal			
							Max-			
							Min-			
							Nominal			
							at Qmax			
							at Qmin			

Materials				
	Pump		Shaft Seal	
23	Volute Casing	Cast Iron	Single mechanical seal, without shaft sleeve	
24	Casing Cover	Cast Iron	eMG12 - Ø22mm	BQ7EGG-WA
25	Impeller	Stainless steel / AISI 304	Mechanical seal diameter	22 mm
26	Stub shaft	Stainless steel / AISI 316L	1. Rotating ring	Carbon graphite resin impregnated
27	Wear ring	Stainless steel / AISI 304	2. Stationary ring	SiC, silicon carbide, sintered press.less
28	Impeller lock nut and washer	Stainless steel / AISI 304	3. Secondary seal	Ethylene propylene rubber (EPDM)
29	Impeller key	Stainless steel / AISI 316L	4. Springs	CrNiMo - Steel
30	Fill and draing plugs	Nickel-plated brass	5. Others	EPDM - WRAS
31			Gaskets of the pump	Ethylene propylene rubber (EPDM)
32				
33				
34				
35				
36				
37				
38				
39				
40				
41				

Motor data				
Electrical and dimensional data refer to IE3 motor				
42	Manufacturer	Lowara		
43	Specific design	IE3 3ph Flange Motor		
44	Type	PLM 132 B14 7,5 kW		
45	Rated power	7.5 kW	Rated current	14.1 A
46	Nominal speed	2920 rpm	Rated voltage	400 V
47	Frame size	132	Service factor	1
48	Weight	kg 55.8	Degree of protection	IP55

Remarks				
49				
50				
50				
52				

LNTE 40-200/75/P25VCS4

Performance curve

Company name
Contact
Phone number
e-mail address

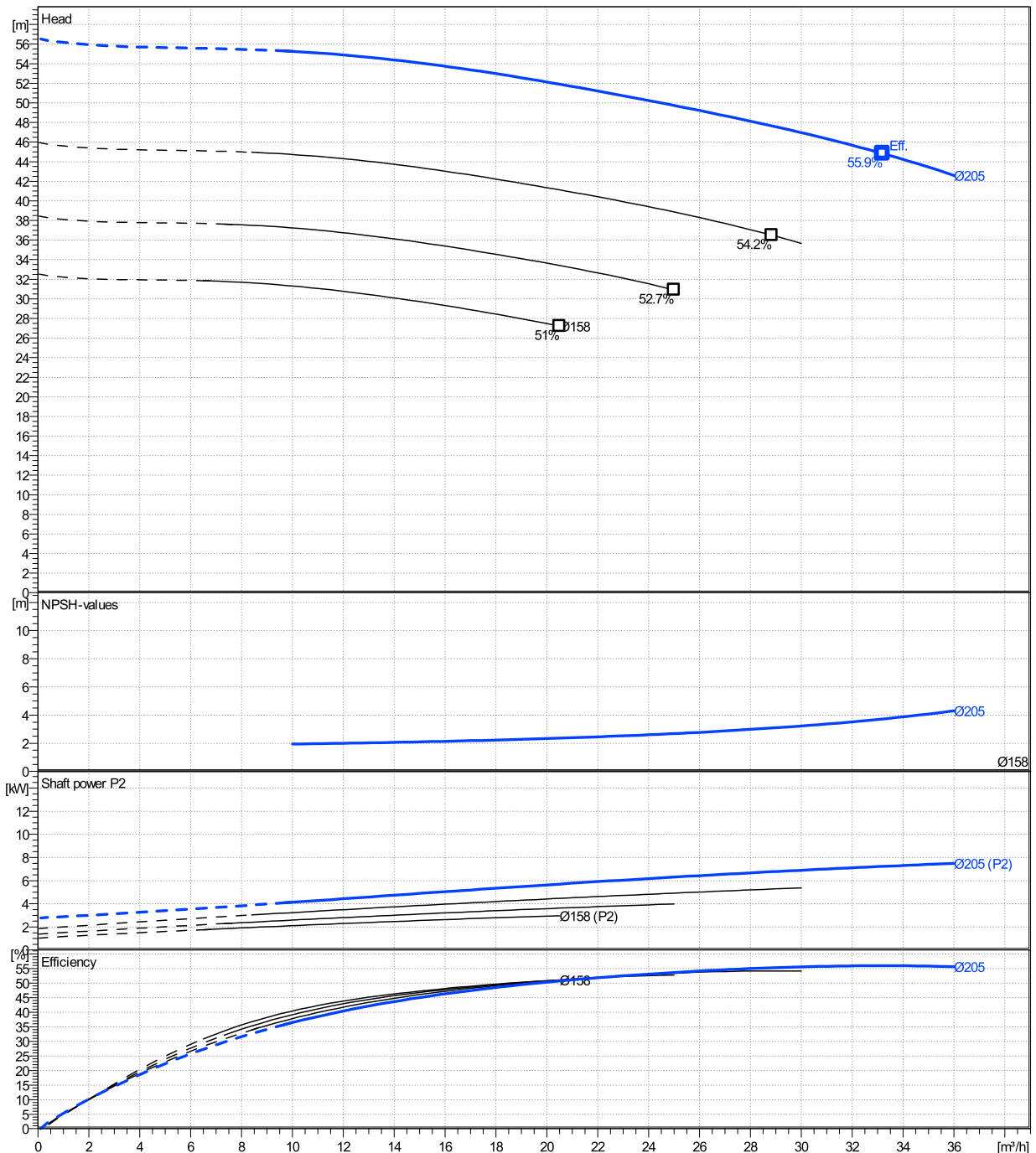
	Ø mm	Pump capacity			Pump head		Shaft power P2			Frequency	Hz	50
		Operating range Min. m³/h	Max. m³/h	η Max. m³/h	H(Q=0) m	η Max. m	P2(Q=0) kW	Max. kW	η Max. kW	Operating speed	rpm	2900
actual	205	10	36	33.2	56.5	44.8		7.5	7.23	Nominal flow	m³/h	0
Min.	0	/	/	20.5	32.5	27.2		/	2.97	Nominal head	m	0
Max.	205	/	/	33.2	56.5	44.8		/	7.23	Inlet pressure	kPa	0
										Static head	m	0

Power datas referred to:

hydr. Performance acceptance acc. To EN ISO 9906 Class Grade 3B

Water, pure [100%] ; 4°C; 1000kg/m³; 1.57mm²/s

MEI: N.A - according to Ecodesign Directive 2009/125/EC and Regulation (EU) No.547/2012



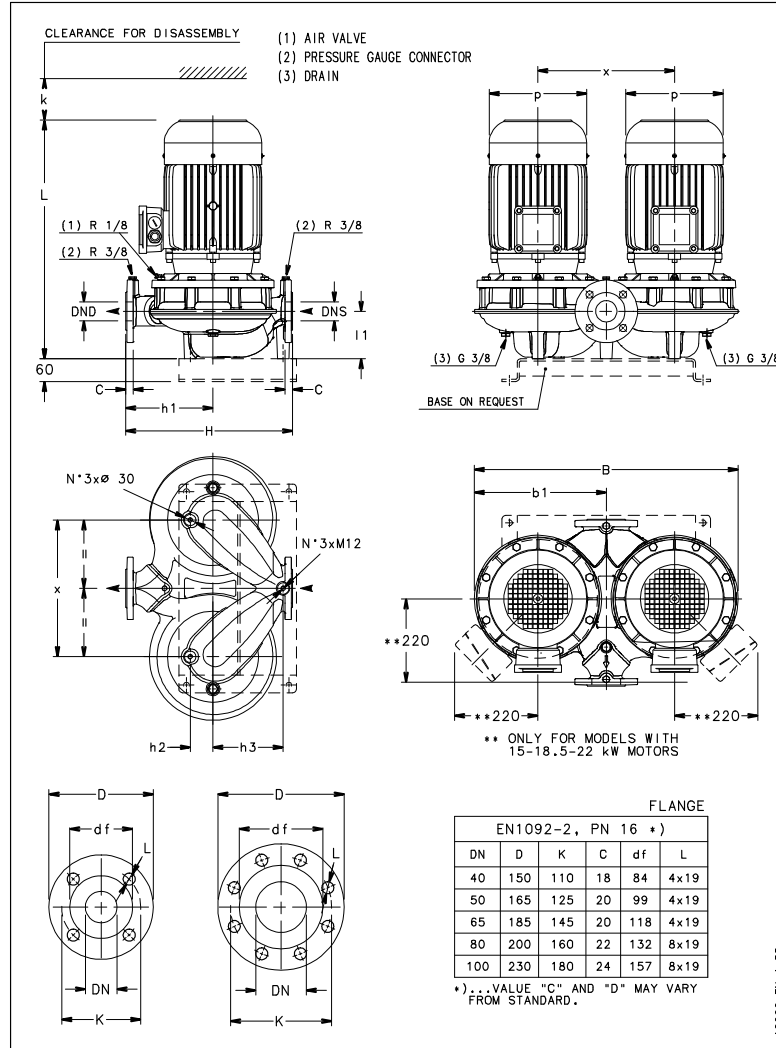
LNTE 40-200/75/P25VCS4

Dimensions

Company name
Contact
Phone number
e-mail address

Close coupled
2 poles motor
PLM 132 B14 7,5 kW

Electrical and dimensional data refer to IE3 motor



Dimensions [mm]

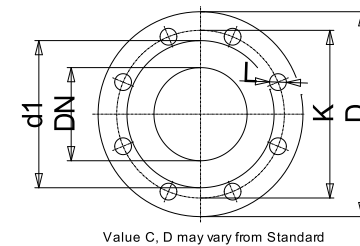
B	745
b1	372.5
DND	40
DNS	40
H	440
h1	220
h2	65
h3	193
k	104
L	575
l1	110
p	256
x	410

Weight

Total weight	179 kg
---------------------	---------------

Connections

Suction nozzle		Discharge nozzle	
DN 40		DN 40	
PN 16		PN 16	
EN1092-2		EN1092-2	
C	18	C	18
D	150	D	150
df	84	df	84
DN	40	DN	40
K	110	K	110
L	4 x 19	L	4 x 19



Dimensions and weight without obligation

Project	Xylect-20969189	Created by		Created on	8/8/2023	Last update	8/8/2023
Block	LNTE 40-200/75/P25VCS4						