

LNTE 40-200/55/P25VCS4

Technical data

Company name
Contact
Phone number
e-mail address

Operating data						
1	Pumpe type	Single head pump		Fluid	Water, pure	
2	No. of pumps	1		Operating temperature t A	°C	4
3	Nominal flow	m ³ /h	0	Max / Min Operating Temperature mech. Seal	°C	120 / -25
4	Nominal head	m	0	pH-value at t A	7	
5	Static head	m	0	Density at t A	kg/m ³	1000
6	Inlet pressure	kPa	0	Kin. viscosity at t A	mm ² /s	1.569
7	Environmental temperature	°C	20	Vapor pressure at t A	kPa	100
8	Available system NPSH	m	0	Altitude	0	

Pump data						
9	Lubrication	Standard, Grease lubrication [Std]				
10	Execution	2 poles motor				
11	Design	In-Line single twin head				Impeller Ø
12	Operating speed	2900 rpm	Stages	1		Max. mm 205
13	Suction nozzle	DN 40 /	PN 16 /	EN1092-2		designed mm 186
14	Discharge nozzle	DN 40 /	PN 16 /	EN1092-2		Min. mm 158
15	Max. casing pressure	kPa				Flow
16	Max. working pressure	kPa	450.7			Max- m ³ /h 30
17	Impeller type	Radial impeller				Min- m ³ /h 8.6
18	Head H(Q=0)	m	46			Head
19	Max. shaft power	kW	5.4			Nominal m
20	Pump weight	kg				at Qmax m 35.7
21	Total weight	kg	141.0			at Qmin m 44.9
						Shaft power kW
						Efficiency %
						NPSH 3% m

Materials						
Pump			Shaft Seal			
22				Single mechanical seal, without shaft sleeve		
23	Volute Casing	Cast Iron		eMG12 - Ø22mm		BQ7EGG-WA
24	Casing Cover	Cast Iron		Mechanical seal diameter		22 mm
25	Impeller	Stainless steel / AISI 304		1. Rotating ring		Carbon graphite resin impregnated
26	Stub shaft	Stainless steel / AISI 316L		2. Stationary ring		SiC, silicon carbide, sintered press.less
27	Wear ring	Stainless steel / AISI 304		3. Secondary seal		Ethylene propylene rubber (EPDM)
28	Impeller lock nut and washer	Stainless steel / AISI 304		4. Springs		CrNiMo - Steel
29	Impeller key	Stainless steel / AISI 316L		5. Others		EPDM - WRAS
30	Fill and draing plugs	Nickel-plated brass		Gaskets of the pump		Ethylene propylene rubber (EPDM)
31						
32						
33						
34						
35						
36						
37						
38						
39						
40						
41						

Motor data					
Electrical and dimensional data refer to IE3 motor					
42	Manufacturer	Lowara			
43	Specific design	IE3 3ph Flange Motor			
44	Type	PLM 112 B14 5,5 kW			
45	Rated power	5.5 kW	Rated current	10.4 A	
46	Nominal speed	2880 rpm	Rated voltage	400 V	
47	Frame size	112	Service factor	1	
48	Weight	kg 55.8	Degree of protection	IP55	

Remarks					
49					
50					
50					
52					

LNTE 40-200/55/P25VCS4

Performance curve

Company name
Contact
Phone number
e-mail address

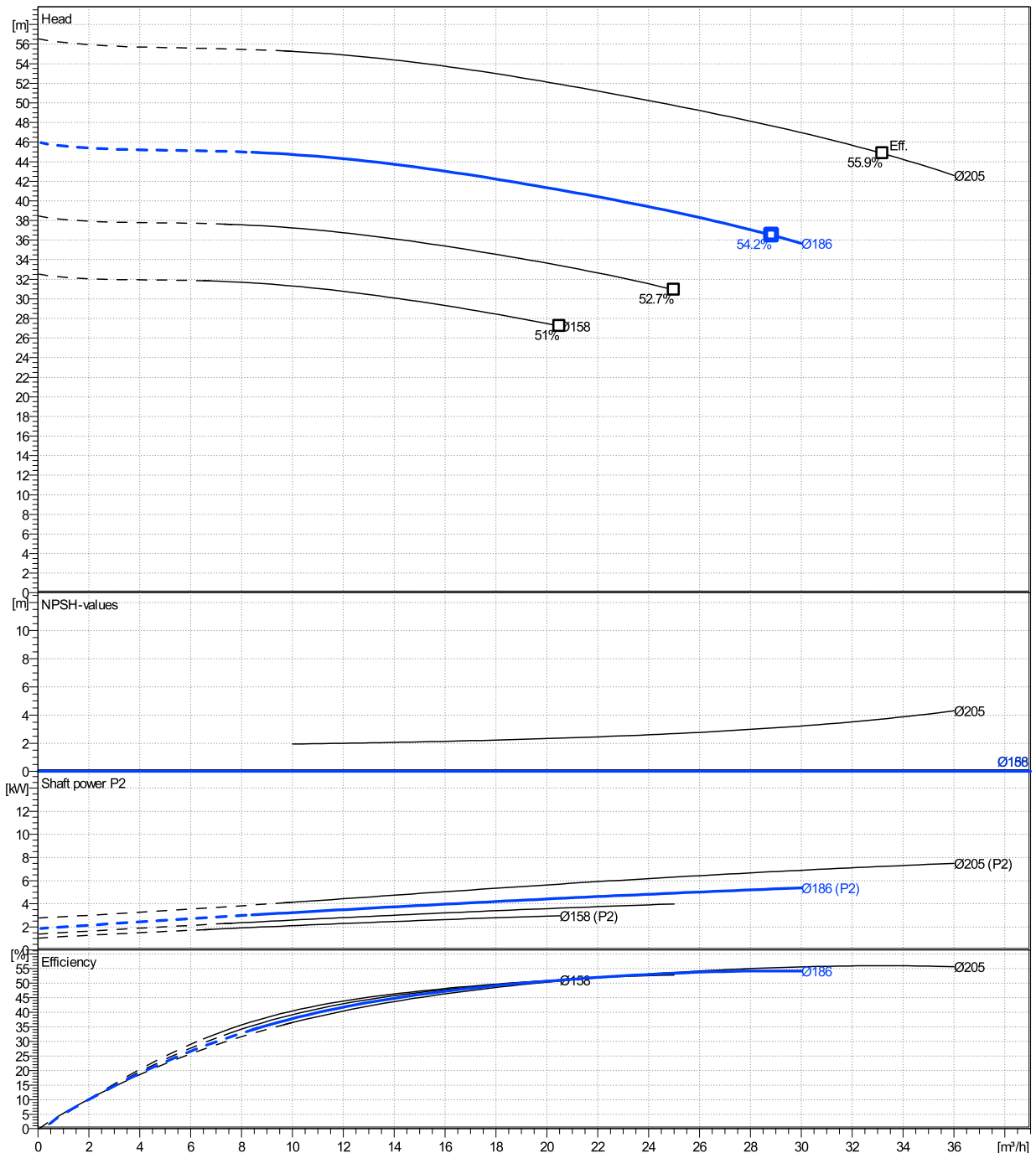
	Ø mm	Pump capacity			Pump head		Shaft power P2			Frequency	Hz	50
		Operating range Min. m³/h	Max. m³/h	η Max. m³/h	H(Q=0) m	η Max. m	P2(Q=0) kW	Max. kW	η Max. kW	Operating speed	rpm	2900
actual	186	8.64	30	28.8	45.9	36.5		5.38	5.28	Nominal flow	m³/h	0
Min.	0	/	/	20.5	32.5	27.2		/	2.97	Nominal head	m	0
Max.	205	/	/	33.2	56.5	44.8		/	7.23	Inlet pressure	kPa	0
										Static head	m	0

Power datas referred to:

hydr. Performance acceptance acc. To EN ISO 9906 Class Grade 3B

Water, pure [100%] ; 4°C; 1000kg/m³; 1.57mm²/s

MEI: N.A - according to Ecodesign Directive 2009/125/EC and Regulation (EU) No.547/2012



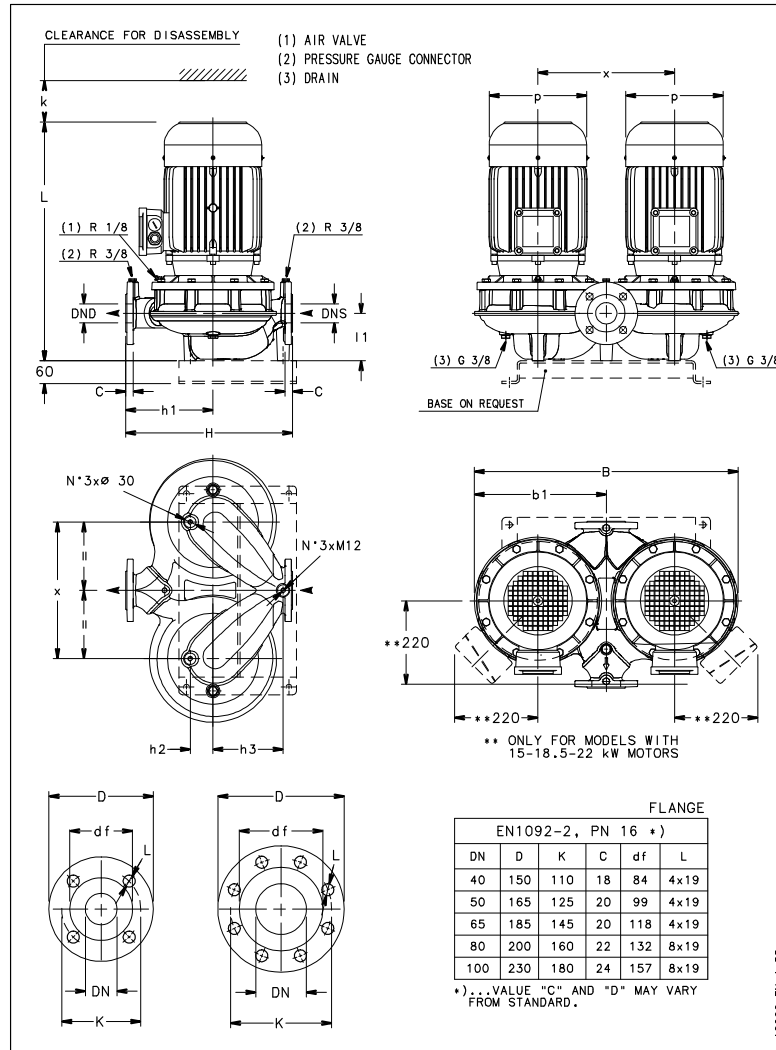
LNTE 40-200/55/P25VCS4

Dimensions

Company name
Contact
Phone number
e-mail address

Close coupled
2 poles motor
PLM 112 B14 5,5 kW

Electrical and dimensional data refer to IE3 motor



Dimensions [mm]

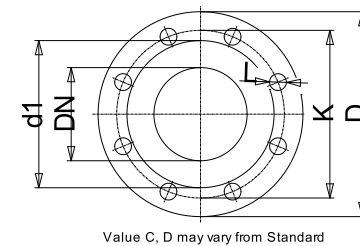
B	745
b1	372.5
DND	40
DNS	40
H	440
h1	220
h2	65
h3	193
k	104
L	561
l1	110
p	214
x	410

Weight

Total weight	141 kg
---------------------	---------------

Connections

Suction nozzle		Discharge nozzle	
DN 40		DN 40	
PN 16		PN 16	
EN1092-2		EN1092-2	
C	18	C	18
D	150	D	150
df	84	df	84
DN	40	DN	40
K	110	K	110
L	4 x 19	L	4 x 19



Dimensions and weight without obligation

Project	Xylect-20969189	Created by		Last update	8/8/2023
Block	LNTE 40-200/75/P25VCS4	Created on	8/8/2023		