

LNTE 40-160/30/P25RCS4

Technical data

Company name
Contact
Phone number
e-mail address

Operating data					
1	Pumpe type	Single head pump	Fluid	Water, pure	
2	No. of pumps	1	Operating temperature t A	°C	4
3	Nominal flow	m ³ /h 0	Max / Min Operating Temperature mech. Seal	°C	120 / -25
4	Nominal head	m 0	pH-value at t A		7
5	Static head	m 0	Density at t A	kg/m ³	1000
6	Inlet pressure	kPa 0	Kin. viscosity at t A	mm ² /s	1.569
7	Environmental temperature	°C 20	Vapor pressure at t A	kPa	100
8	Available system NPSH	m 0	Altitude		0

Pump data					
9	Lubrication	Standard, Grease lubrication [Std]			
10	Execution	2 poles motor			
11	Design	In-Line single twin head			
12	Operating speed	2900 rpm	Stages	1	
13	Suction nozzle	DN 40 /	PN 16 /	EN1092-2	
14	Discharge nozzle	DN 40 /	PN 16 /	EN1092-2	
15	Max. casing pressure	kPa		Impeller Ø	Max. mm 171
16	Max. working pressure	kPa 286.1			designed mm 150
17	Impeller type	Radial impeller			Min. mm 137
18	Head H(Q=0)	m 29		Flow	Nominal m ³ /h
19	Max. shaft power	kW 3			Max- m ³ /h 31.5
20	Pump weight	kg			Min- m ³ /h 8.2
21	Total weight	kg 81.0		Head	Nominal m
					at Qmax m 21.2
					at Qmin m 29.7
				Shaft power	kW
				Efficiency	%
				NPSH 3%	m

Materials					
22		Pump		Shaft Seal	
23	Volute Casing	Cast Iron		Single mechanical seal, without shaft sleeve	
24	Casing Cover	Cast Iron		eMG12 - Ø22mm	BQ7EGG-WA
25	Impeller	Stainless steel / AISI 304		Mechanical seal diameter	22 mm
26	Stub shaft	Stainless steel / AISI 316L		1. Rotating ring	Carbon graphite resin impregnated
27	Wear ring	Stainless steel / AISI 304		2. Stationary ring	SiC, silicon carbide, sintered press.less
28	Impeller lock nut and washer	Stainless steel / AISI 304		3. Secondary seal	Ethylene propylene rubber (EPDM)
29	Impeller key	Stainless steel / AISI 316L		4. Springs	CrNiMo - Steel
30	Fill and draing plugs	Nickel-plated brass		5. Others	EPDM - WRAS
31				Gaskets of the pump	Ethylene propylene rubber (EPDM)
32					
33					
34					
35					
36					
37					
38					
39					
40					
41					

Motor data					
Electrical and dimensional data refer to IE3 motor					
42	Manufacturer	Lowara			
43	Specific design	IE3 3ph Flange Motor			
44	Type	PLM 90 B14 3 kW			
45	Rated power	3 kW	Rated current	6.33 A	
46	Nominal speed	2865 rpm	Rated voltage	400 V	
47	Frame size	90	Service factor	1	
48	Weight	kg 24.6	Degree of protection	IP55	

Remarks					
49					
50					
50					
52					

LNTE 40-160/30/P25RCS4

Performance curve

Company name
Contact
Phone number
e-mail address

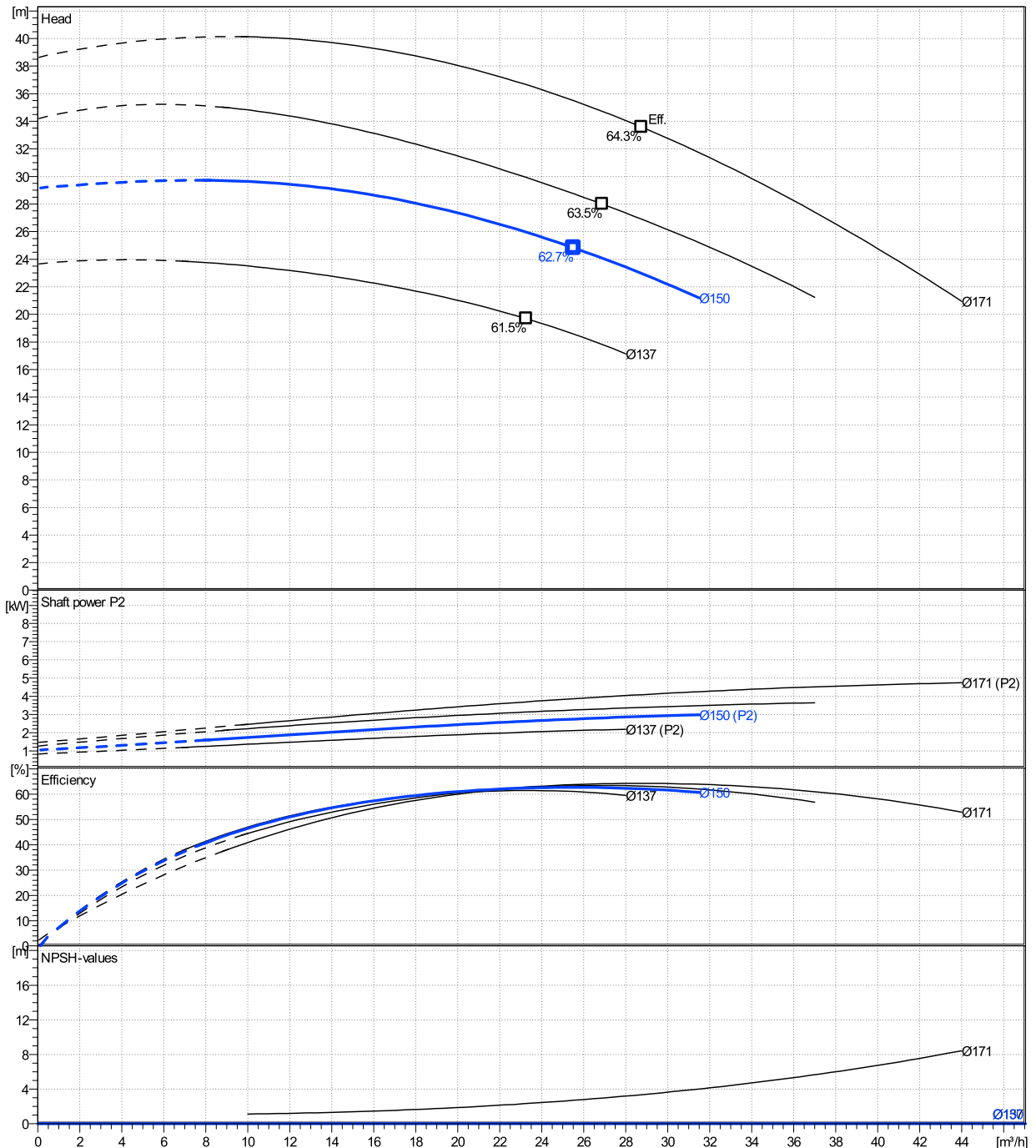
	Ø mm	Pump capacity			Pump head		Shaft power P2			Frequency		Hz	50
		Operating range Min. m³/h	Max. m³/h	η Max. m³/h	H(Q=0) m	η Max. m	P2(Q=0) kW	Max. kW	η Max. kW	Operating speed rpm	2900		
actual	150	8.22	31.5	25.5	29.2	24.8		2.99	2.74	Nominal flow	m³/h	0	
Min.	0	/	/	23.3	23.7	19.7		/	2.03	Nominal head	m	0	
Max.	171	/	/	28.8	38.6	33.6		/	4.09	Inlet pressure	kPa	0	
										Static head	m	0	

Power datas referred to:

hydr. Performance acceptance acc. To EN ISO 9906 Class Grade 3B

Water, pure [100%] ; 4°C; 1000kg/m³; 1.57mm²/s

MEI: N.A - according to Ecodesign Directive 2009/125/EC and Regulation (EU) No.547/2012



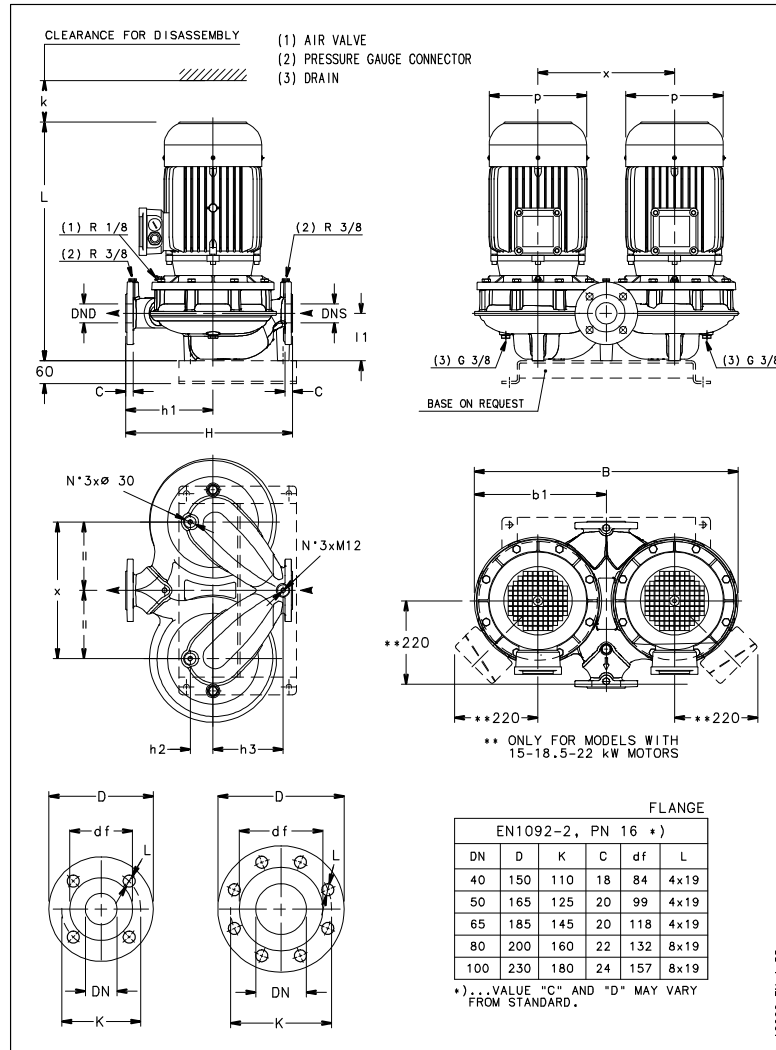
LNTE 40-160/30/P25RCS4

Dimensions

Company name
Contact
Phone number
e-mail address

Close coupled
2 poles motor
PLM 90 B14 3 kW

Electrical and dimensional data refer to IE3 motor



Dimensions [mm]

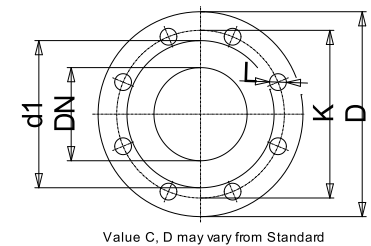
B	549
b1	274.5
DND	40
DNS	40
H	320
h1	180
h2	52
h3	110
k	94
L	498
l1	100
p	174
x	310

Weight

Total weight	81 kg
---------------------	--------------

Connections

Suction nozzle		Discharge nozzle	
DN 40		DN 40	
PN 16		PN 16	
EN1092-2		EN1092-2	
C	18	C	18
D	150	D	150
df	84	df	84
DN	40	DN	40
K	110	K	110
L	4 x 19	L	4 x 19



Dimensions and weight without obligation

Project	Xylect-20969166	Created by		Last update	8/8/2023
Block	LNTE 40-160/55/P25VCS4	Created on	8/8/2023		