

LNTE 40-125/15/S25RCS4

Technical data

Company name
Contact
Phone number
e-mail address

Operating data					
1	Pumpe type	Single head pump		Fluid	Water, pure
2	No. of pumps	1		Operating temperature at t A	°C 4
3	Nominal flow	m ³ /h	0	Max / Min Operating Temperature mech. Seal	°C 120 / -25
4	Nominal head	m	0	pH-value at t A	7
5	Static head	m	0	Density at t A	kg/m ³ 1000
6	Inlet pressure	kPa	0	Kin. viscosity at t A	mm ² /s 1.569
7	Environmental temperature	°C	20	Vapor pressure at t A	kPa 100
8	Available system NPSH	m	0	Altitude	0

Pump data					
9	Lubrication	Standard, Grease lubrication [Std]			
10	Execution	2 poles motor			
11	Design	In-Line single twin head			
12	Operating speed	2900 rpm	Stages	1	
13	Suction nozzle	DN 40	/	PN 16	/ EN1092-2
14	Discharge nozzle	DN 40	/	PN 16	/ EN1092-2
15	Max. casing pressure	kPa			
16	Max. working pressure	kPa	177.2		
17	Impeller type	Radial impeller			
18	Head H(Q=0)	m	18		
19	Max. shaft power	kW	1.5		
20	Pump weight	kg			
21	Total weight	kg	65.0		

	Impeller Ø	Max.	mm	145
		designed	mm	123
		Min.	mm	113
		Nominal	m ³ /h	
	Flow	Max-	m ³ /h	26
		Min-	m ³ /h	7.4
		Nominal	m	
	Head	at Qmax	m	10.1
		at Qmin	m	18.5
		Shaft power	kW	
		Efficiency	%	
		NPSH 3%	m	

Materials					
	Pump			Shaft Seal	
22				Single mechanical seal, without shaft sleeve	
23	Volute Casing	Cast Iron		eMG12 - Ø22mm	
24	Casing Cover	Cast Iron		BQ7EGG-WA	
25	Impeller	Stainless steel / AISI 304		Mechanical seal diameter	
26	Stub shaft	Stainless steel / AISI 316L		22 mm	
27	Wear ring	Stainless steel / AISI 304		1. Rotating ring	
28	Impeller lock nut and washer	Stainless steel / AISI 304		2. Stationary ring	
29	Impeller key	Stainless steel / AISI 316L		3. Secondary seal	
30	Fill and draing plugs	Nickel-plated brass		4. Springs	
31				5. Others	
32				Gaskets of the pump	
33				Carbon graphite resin impregnated	
34				SiC, silicon carbide, sintered press.less	
35				Ethylene propylene rubber (EPDM)	
36				CrNiMo - Steel	
37				EPDM - WRAS	
38				Ethylene propylene rubber (EPDM)	
39					
40					
41					

Motor data					
42	Manufacturer	Lowara			
43	Specific design	IE3 3ph Flange Motor			
44	Type	SM 90R B14 1,5 kW			
45	Rated power	1.5 kW	Rated current	3.17 A	
46	Nominal speed	2870 rpm	Rated voltage	400 V	
47	Frame size	90R	Service factor	1	
48	Weight	kg 13.4	Degree of protection	IP55	

Remarks					
49					
50					
50					
52					

LNTE 40-125/15/S25RCS4

Performance curve

Company name
Contact
Phone number
e-mail address

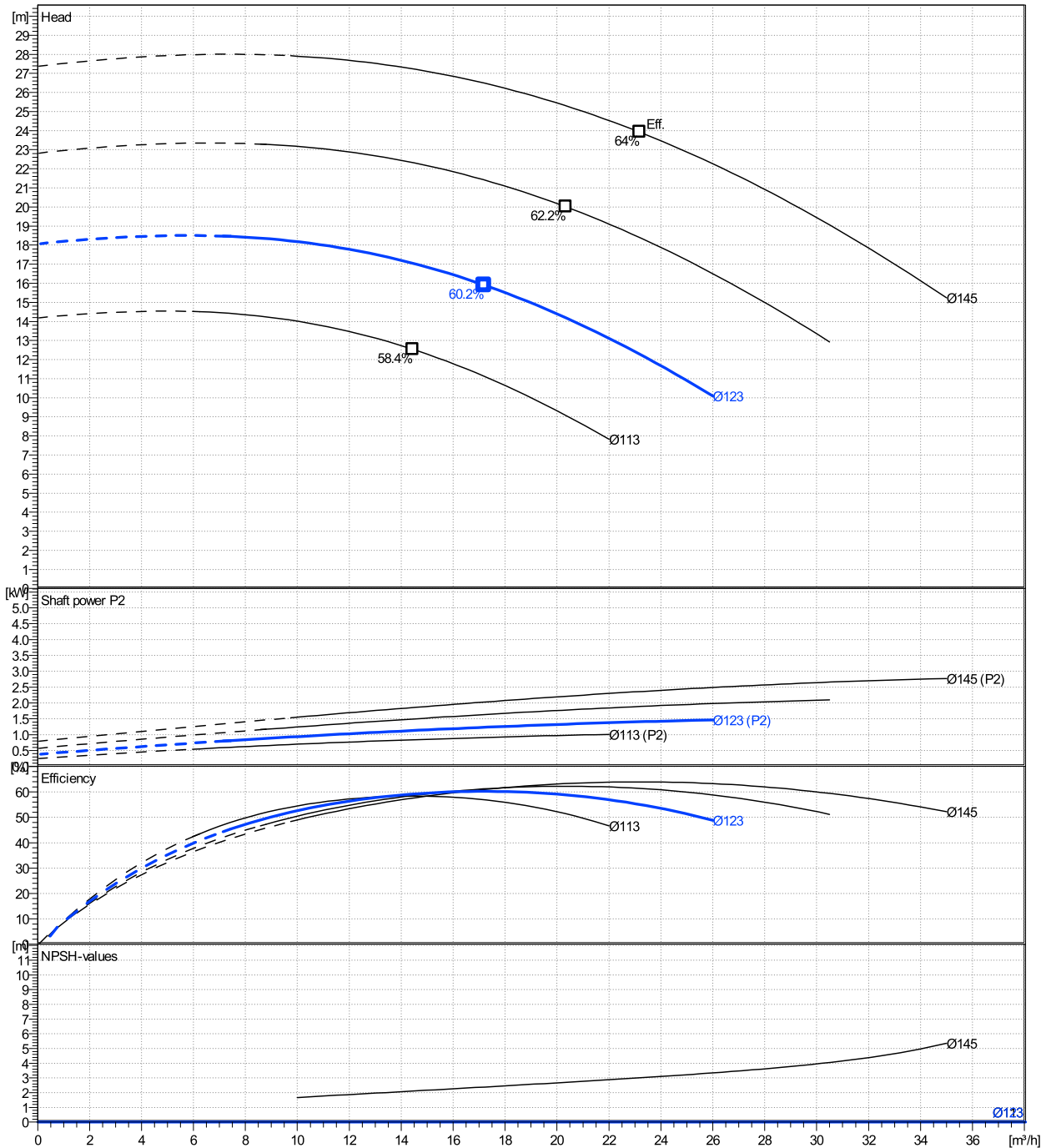
	Ø mm	Pump capacity			Pump head		Shaft power P2			Frequency		Hz	50
		Operating range Min. m³/h	Max. m³/h	η Max. m³/h	H(Q=0) m	η Max. m	P2(Q=0) kW	Max. kW	η Max. kW	Operating speed rpm	2900		
actual	123	7.44	26	17.2	18.1	15.9	1.47	1.23		Nominal flow	m³/h	0	
Min.	0	/	/	14.4	14.2	12.5	/	0.841		Nominal head	m	0	
Max.	145	/	/	23.2	27.4	23.9	/	2.36		Inlet pressure	kPa	0	
										Static head	m	0	

Power datas referred to:

hydr. Performance acceptance acc. To EN ISO 9906 Class Grade 3B

Water, pure [100%] ; 4°C; 1000kg/m³; 1.57mm²/s

MEI: N.A - according to Ecodesign Directive 2009/125/EC and Regulation (EU) No.547/2012

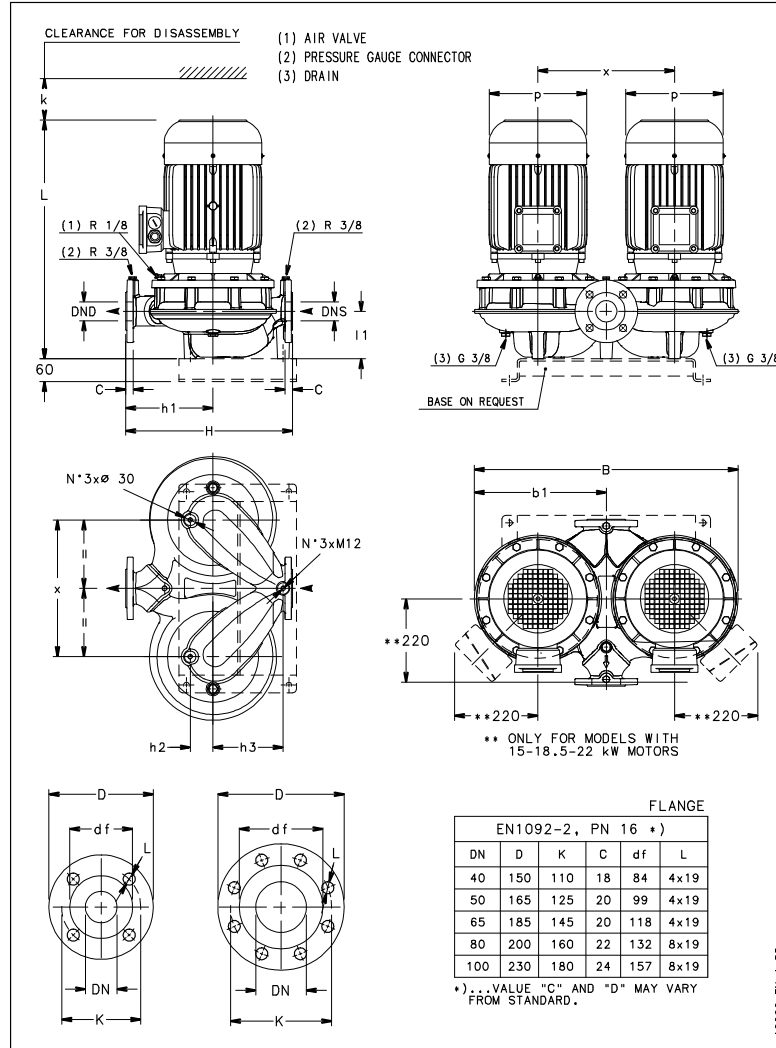


LNTE 40-125/15/S25RCS4

Dimensions

Company name
Contact
Phone number
e-mail address

Close coupled
2 poles motor
SM 90R B14 1,5 kW



Dimensions [mm]

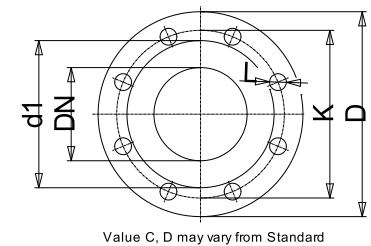
B	549
b1	274.5
DND	40
DNS	40
H	320
h1	180
h2	52
h3	110
k	94
L	463
l1	100
p	155
x	310

Weight

Total weight	65 kg
--------------	-------

Connections

Suction nozzle		Discharge nozzle	
DN 40		DN 40	
PN 16		PN 16	
EN1092-2		EN1092-2	
C	18	C	18
D	150	D	150
df	84	df	84
DN	40	DN	40
K	110	K	110
L	4 x 19	L	4 x 19



Dimensions and weight without obligation

Project Xylect-20969139
Block LNTE 40-125/30/P25RCS4

Created by
Created on 8/8/2023

Last update 8/8/2023