

LNTE 32-160/07/S25RCS4

Technical data

Company name
Contact
Phone number
e-mail address

Operating data					
1	Pumpe type	Single head pump		Fluid	Water, pure
2	No. of pumps	1		Operating temperature t A	°C 4
3	Nominal flow	m ³ /h	0	Max / Min Operating Temperature mech. Seal	°C 120 / -25
4	Nominal head	m	0	pH-value at t A	7
5	Static head	m	0	Density at t A	kg/m ³ 1000
6	Inlet pressure	kPa	0	Kin. viscosity at t A	mm ² /s 1.569
7	Environmental temperature	°C	20	Vapor pressure at t A	kPa 100
8	Available system NPSH	m	0	Altitude	0

Pump data					
9	Lubrication	Standard, Grease lubrication [Std]			
10	Execution	2 poles motor			
11	Design	In-Line single twin head			
12	Operating speed	2900 rpm	Stages	1	
13	Suction nozzle	DN 32	/	PN 16	/ EN1092-2
14	Discharge nozzle	DN 32	/	PN 16	/ EN1092-2
15	Max. casing pressure	kPa		Impeller Ø	Max. mm 156
16	Max. working pressure	kPa	104.4		designed mm 92
17	Impeller type	Radial impeller			Min. mm 92
18	Head H(Q=0)	m	11	Flow	Nominal m ³ /h
19	Max. shaft power	kW	.6		Max- m ³ /h 16
20	Pump weight	kg			Min- m ³ /h 2.7
21	Total weight	kg	53.0	Head	Nominal m
					at Qmax m 4.4
				at Qmin m 10.9	
				Shaft power	kW
				Efficiency	%
				NPSH 3%	m

Materials					
22		Pump		Shaft Seal	
23	Volute Casing	Cast Iron		Single mechanical seal, without shaft sleeve	
24	Casing Cover	Cast Iron		eMG12 - Ø14mm	BQ7EGG-WA
25	Impeller	Stainless steel / AISI 304		Mechanical seal diameter	14 mm
26	Stub shaft	Stainless steel / AISI 316L		1. Rotating ring	Carbon graphite resin impregnated
27	Wear ring	Stainless steel / AISI 304		2. Stationary ring	SiC, silicon carbide, sintered press.less
28	Impeller lock nut and washer	Stainless steel / AISI 304		3. Secondary seal	Ethylene propylene rubber (EPDM)
29	Impeller key	Stainless steel / AISI 316L		4. Springs	CrNiMo - Steel
30	Fill and draing plugs	Nickel-plated brass		5. Others	EPDM - WRAS
31				Gaskets of the pump	Ethylene propylene rubber (EPDM)
32					
33					
34					
35					
36					
37					
38					
39					
40					
41					

Motor data					
42	Manufacturer	Lowara			
43	Specific design	IE3 3ph Flange Motor			
44	Type	SM 90R B14 0,75 kW			
45	Rated power	0.75 kW	Rated current	1.7 A	
46	Nominal speed	2875 rpm	Rated voltage	400 V	
47	Frame size	90R	Service factor	1	
48	Weight	kg 9.6	Degree of protection	IP55	

Remarks					
49					
50					
50					
52					

LNTE 32-160/07/S25RCS4

Performance curve

Company name
Contact
Phone number
e-mail address

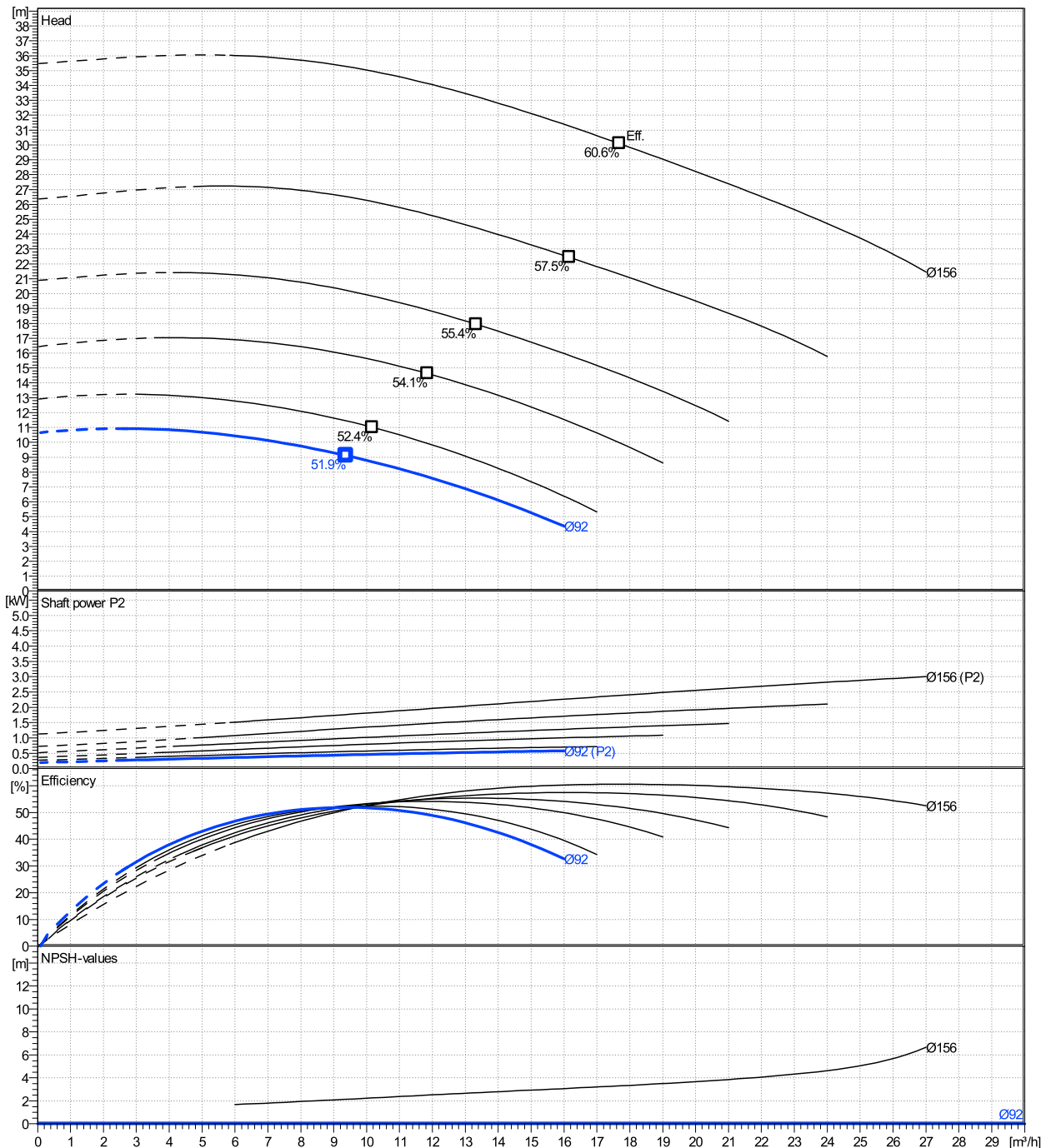
	Ø mm	Pump capacity			Pump head		Shaft power P2			Frequency	Hz	50
		Operating range Min. m³/h	Max. m³/h	η Max. m³/h	H(Q=0) m	η Max. m	P2(Q=0) kW	Max. kW	η Max. kW	Operating speed	rpm	2900
actual	92	2.73	16	9.38	10.6	9.11	0.58	0.447		Nominal flow	m³/h	0
Min.	0	/	/	9.38	10.6	9.11	/	0.447		Nominal head	m	0
Max.	156	/	/	17.7	35.5	30.1	/	2.39		Inlet pressure	kPa	0
										Static head	m	0

Power datas referred to:

hydr. Performance acceptance acc. To EN ISO 9906 Class Grade 3B

Water, pure [100%] ; 4°C; 1000kg/m³; 1.57mm²/s

MEI: N.A - according to Ecodesign Directive 2009/125/EC and Regulation (EU) No.547/2012

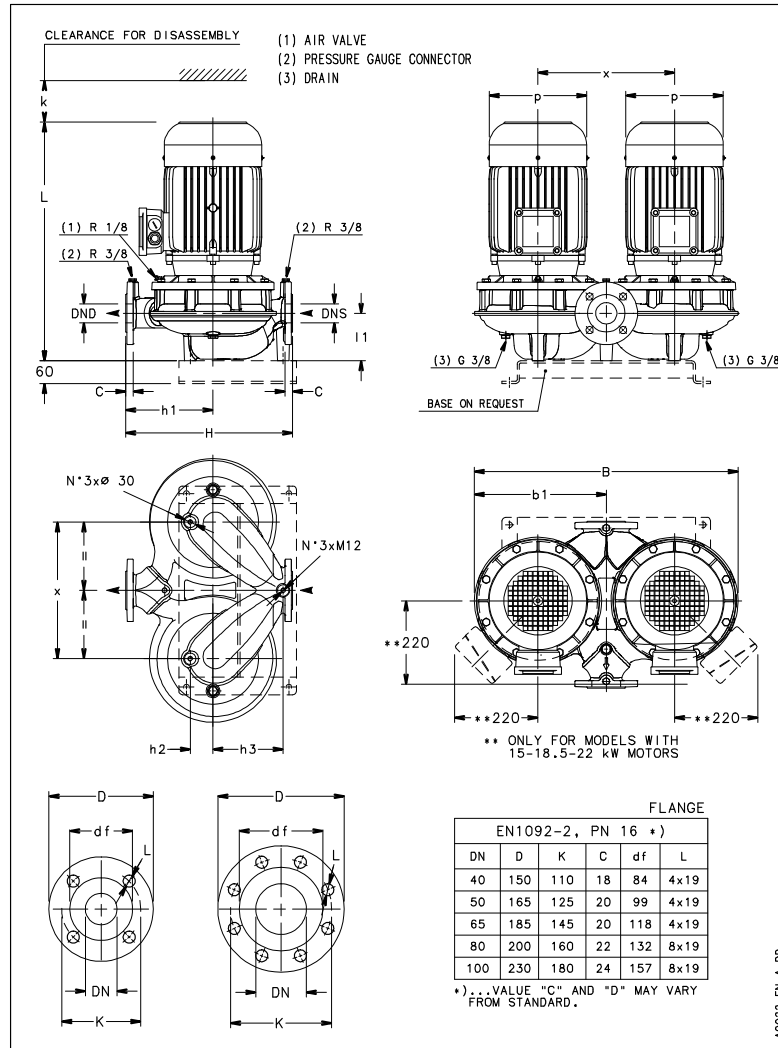


LNTE 32-160/07/S25RCS4

Dimensions

Company name
Contact
Phone number
e-mail address

Close coupled
2 poles motor
SM 90R B14 0,75 kW



Dimensions [mm]

B	514
b1	257
DND	32
DNS	32
H	320
h1	180
h2	40
h3	110
k	75
L	453
l1	90
p	155
x	275

Weight

Total weight	53 kg
--------------	-------

Connections

Suction nozzle	Discharge nozzle
DN 32	DN 32
PN 16	PN 16
EN1092-2	EN1092-2

Dimensions and weight without obligation

Project Xylect-20969076
Block LNTE 32-160/30/P25RCS4

Created by
Created on 8/8/2023

Last update 8/8/2023