

## SMB10/10SVE02F011/T4

### Technical data

Company name  
Contact  
Phone number  
e-mail address

| Operating data   |                                      |  |           |                           |                          |                       |                       |
|------------------|--------------------------------------|--|-----------|---------------------------|--------------------------|-----------------------|-----------------------|
| 1                | Nominal flow                         | m <sup>3</sup> /h                            | 0         | Fluid                     | Water, pure              |                       |                       |
| 2                | Nominal head                         | m  | 0         | Operating temperature t A | °C 4                     |                       |                       |
| 3                | Static head                          | m  | 0         | pH-value at t A           | 7                        |                       |                       |
| 4                | Inlet pressure                       | kPa  | 0         | Density at t A            | kg/m <sup>3</sup> 1000   |                       |                       |
| 5                | Environmental temperature            | °C   | 20        | Kin. viscosity at t A     | mm <sup>2</sup> /s 1.569 |                       |                       |
| 6                | Available system NPSH                | m  | 0         | Vapor pressure at t A     | kPa 100                  |                       |                       |
| 7                | Solids                               |  | 0         | Altitude                  | m 0                      |                       |                       |
| 8                |                                      |  |           |                           |                          |                       |                       |
| Pump data        |                                      |  |           |                           |                          |                       |                       |
| 9                | Pump designation                     |  |           | Impeller Ø                | Max.                     | mm                    |                       |
| 10               | SMB10/10SVE02F011/T4                 |  |           |                           | designed                 | mm                    |                       |
| 11               | Design                               | Variable speed                               |           |                           | Min.                     | mm                    |                       |
| 12               | Make                                 |  |           |                           | Flow                     | Nominal               | m <sup>3</sup> /h ( ) |
| 13               |                                      |  |           | Max-                      |                          | m <sup>3</sup> /h 17  |                       |
| 14               | Speed                                | rpm  | 2900      | Min-                      |                          | m <sup>3</sup> /h 6.1 |                       |
| 15               |                                      |  |           |                           | Head                     | Nominal               | m                     |
| 16               | Max. working pressure                | kPa  | 343.9     | at Qmax                   |                          | m 11                  |                       |
| 17               | Head H(Q=0)                          | m  | 35        | at Qmin                   |                          | m 33.4                |                       |
| 18               | Weight                               | kg   | On demand | Shaft power               | kW ( )                   |                       |                       |
| 19               | Weight data include external package |  |           | Max. shaft power          | kW 1.2                   |                       |                       |
| 20               |                                      |  |           |                           | Efficiency               | %                     |                       |
| 21               |                                      |  |           |                           | NPSH 3%                  | m                     |                       |
| Materials        |                                      |  |           |                           |                          |                       |                       |
| 22               |                                      | Booster                                      |           | Motor data                |                          |                       |                       |
| 23               | Non-return valves                    | Brass  |           | Manufacturer              | Lowara                   | Electric voltage      | 240 V                 |
| 24               | Pressure switches                    | Galvanized steel/AISI 301                    |           | Specific design           | Three phase e-SM motor   |                       |                       |
| 25               | Pressure transmitters                | Stainless steel, 1.4301, AISI 304            |           | Type                      | ESM90R/311 SVE           | Electric current      | 4.69 A                |
| 26               | Caps/plugs/flanges                   | AISI 304 / 316                               |           | Rated power               | 1.1 kW                   | Degree of protection  | IP 55                 |
| 27               | Fittings                             | AISI 304 / 316                               |           | Speed                     | 3600 rpm                 | Insulation class      | F                     |
| 28               |                                      |  |           |                           | Frame size               | 90R                   | RAL 5010              |
| 29               |                                      |  |           |                           | Weight                   | 0 kg                  |                       |
| 30               |                                      |  |           |                           |                          |                       |                       |
| 31               |                                      |  |           |                           |                          |                       |                       |
| 32               |                                      |  |           |                           |                          |                       |                       |
| Standard options |                                      |  |           |                           |                          |                       |                       |
| 33               | Non return valve position            | Non return valve in delivery side            |           |                           |                          |                       |                       |
| 34               | Set certificate                      |  |           |                           |                          |                       |                       |
| 35               | Material Combination                 | SMB10 - Standard materials combination       |           |                           |                          |                       |                       |
| 36               | Pump Test                            | Set without certified pumps                  |           |                           |                          |                       |                       |
| 37               | High pressure protection             | Without high pressure protection on delivery |           |                           |                          |                       |                       |
| 38               | Turned Delivery Manifold             |  |           |                           |                          |                       |                       |
| 39               | Oversize Piping                      |  |           |                           |                          |                       |                       |
| 40               | Control Panel option                 |  |           |                           |                          |                       |                       |
| 41               | Protection Against Dry Running       | Without protection against dry running       |           |                           |                          |                       |                       |
| 42               | Control Devices Oversized            | Standard                                     |           |                           |                          |                       |                       |
| 43               | Delivery Side                        |  |           |                           |                          |                       |                       |
| 44               | Suction side                         |  |           |                           |                          |                       |                       |
| 45               | Pressure Transmitter                 |  |           |                           |                          |                       |                       |
| 46               | Control Panel Position               |  |           |                           |                          |                       |                       |
| 47               | Electric Pump Special Seals          |  |           |                           |                          |                       |                       |
| 48               | Non-return Valve                     | Standard non-return valve                    |           |                           |                          |                       |                       |

**SMB10/10SVE02F011/T4**

**Performance curve**

Company name  
Contact  
Phone number  
e-mail address

**Operating Data Specification**

Flow 0 m<sup>3</sup>/h  
Head 0 m  
Static head 0 m

**Hydraulic data (duty point)**

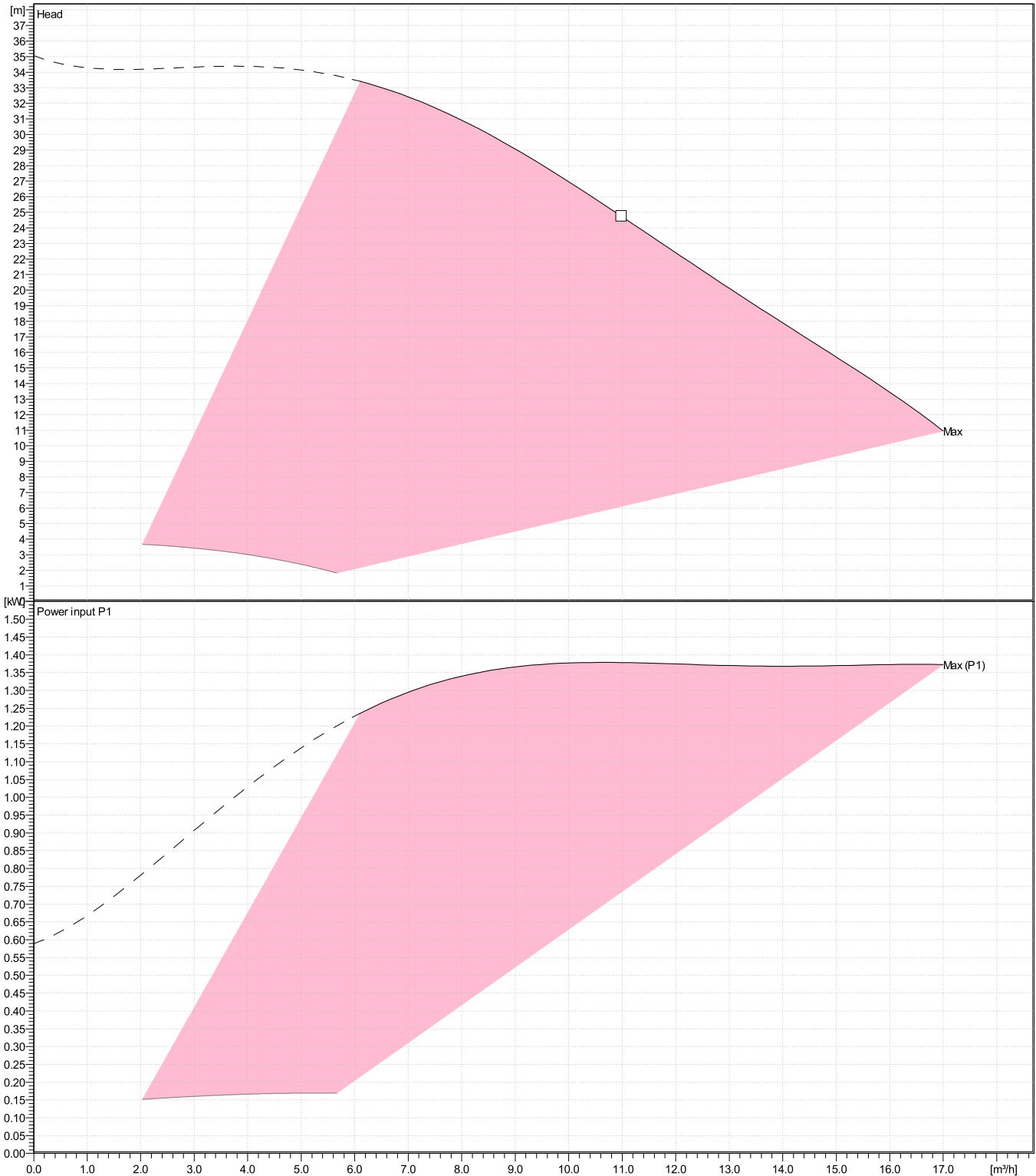
Flow  
Head

**Impeller design**

Impeller R 0 mm  
Frequency 50 Hz  
Speed 2900 rpm

**Power datas referred to:**

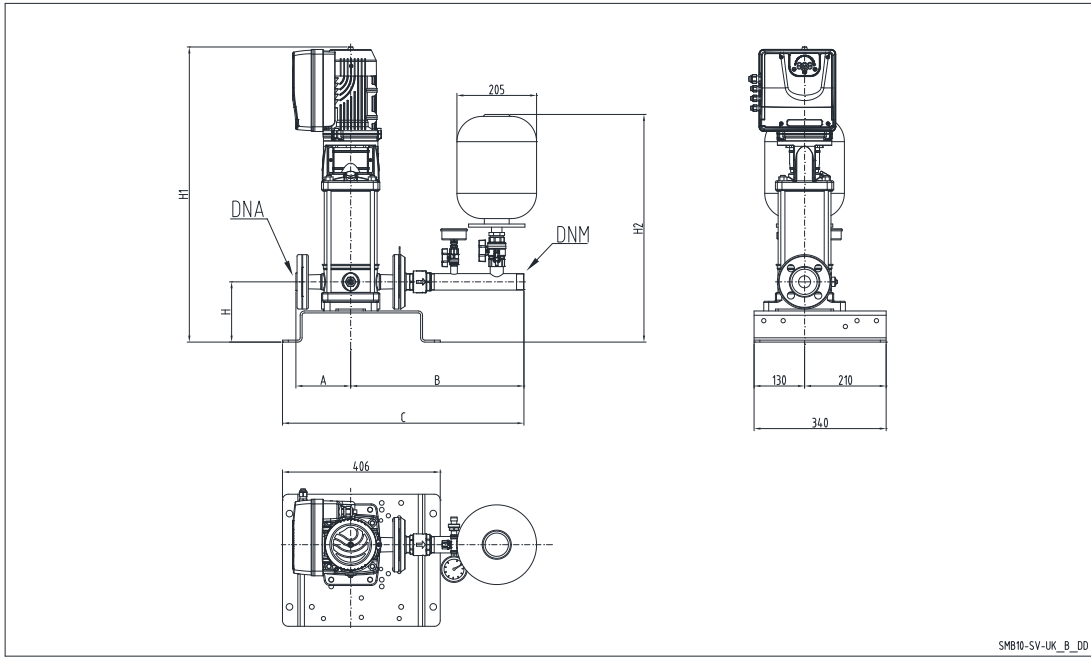
Water, pure [100%] ; 4°C; 1000kg/m<sup>3</sup>; 1.57mm<sup>2</sup>/s  
Performance according to ISO 9906:2012 – Grade 3B



**SMB10/10SVE02F011/T4**

**Dimensions**

Company name  
Contact  
Phone number  
e-mail address



**PLEASE NOTE:**

**Dimensions**

mm

|     |         |  |  |  |  |  |
|-----|---------|--|--|--|--|--|
| A   | 162     |  |  |  |  | Weight (Include external package)<br>On demand |
| B   | 455     |  |  |  |  |  |
| C   | 630     |  |  |  |  |  |
| DNA | Rp1"1/2 |  |  |  |  |  |
| DNM | R1"1/2  |  |  |  |  |  |
| H   | 160     |  |  |  |  |  |
| H1  | 689     |  |  |  |  |  |
| H2  | 594     |  |  |  |  |  |

|                |                      |                   |          |                    |          |
|----------------|----------------------|-------------------|----------|--------------------|----------|
| <b>Project</b> | Xylect-20943199      | <b>Created by</b> |          | <b>Last update</b> | 8/2/2023 |
| <b>Block</b>   | SMB10/10SVE02F011/T4 | <b>Created on</b> | 8/2/2023 |                    |          |