

SMB10/5SVE03F005/T4

Technical data

Company name
Contact
Phone number
e-mail address

| Operating data | | | | | | | |
|------------------|--------------------------------------|--|-----------|---------------------------|--------------------------|-----------------------|-----------------------|
| 1 | Nominal flow | m ³ /h | 0 | Fluid | Water, pure | | |
| 2 | Nominal head | m | 0 | Operating temperature t A | °C 4 | | |
| 3 | Static head | m | 0 | pH-value at t A | 7 | | |
| 4 | Inlet pressure | kPa | 0 | Density at t A | kg/m ³ 1000 | | |
| 5 | Env ironmental temperature | °C | 20 | Kin. viscosity at t A | mm ² /s 1.569 | | |
| 6 | Av ailable system NPSH | m | 0 | Vapor pressure at t A | kPa 100 | | |
| 7 | Solids | | 0 | Altitude | m 0 | | |
| 8 | | | | | | | |
| Pump data | | | | | | | |
| 9 | Pump designation | | | Impeller Ø | Max. | mm | |
| 10 | SMB10/5SVE03F005/T4 | | | | designed | mm | |
| 11 | Design | Variable speed | | | Min. | mm | |
| 12 | Make | | | | Flow | Nominal | m ³ /h () |
| 13 | | | | | | Max- | m ³ /h 10 |
| 14 | Speed | rpm | 2900 | Min- | | m ³ /h 3.1 | |
| 15 | | | | | Head | Nominal | m |
| 16 | Max. working pressure | kPa | 328.8 | at Qmax | | m 9.3 | |
| 17 | Head H(Q=0) | m | 34 | at Qmin | | m 32.4 | |
| 18 | Weight | kg | On demand | Shaft power | kW () | | |
| 19 | Weight data include external package | | | | Max. shaft power | kW .6 | |
| 20 | | | | | Efficiency | % | |
| 21 | | | | | NPSH 3% | m | |
| Materials | | | | | | | |
| 22 | | Booster | | Motor data | | | |
| 23 | Non-return valves | Brass | | Manufacturer | Lowara | Electric voltage | 240 V |
| 24 | Pressure switches | Galvanized steel/AISI 301 | | Specific design | Three phase e-SM motor | | |
| 25 | Pressure transmitters | Stainless steel, 1.4301, AISI 304 | | Type | ESM90R/305 SVE | Electric current | 2.52 A |
| 26 | Caps/plugs/flanges | AISI 304 / 316 | | Rated power | 0.55 kW | Degree of protection | IP 55 |
| 27 | Fittings | AISI 304 / 316 | | Speed | 3600 rpm | Insulation class | F |
| 28 | | | | | Frame size | 90R | RAL 5010 |
| 29 | | | | | Weight | 0 kg | |
| 30 | | | | | | | |
| 31 | | | | | | | |
| 32 | | | | | | | |
| Standard options | | | | | | | |
| 33 | Non return valve position | Non return valve in delive side | | | | | |
| 34 | Set certificate | | | | | | |
| 35 | Material Combination | SMB10 - Standard materials combination | | | | | |
| 36 | Pump Test | Set without certified pumps | | | | | |
| 37 | High pressure protection | Without high pressure protection on delivery | | | | | |
| 38 | Turned Delivery Manifold | | | | | | |
| 39 | Oversize Piping | | | | | | |
| 40 | Control Panel option | | | | | | |
| 41 | Protection Against Dry Running | Without protection against dry running | | | | | |
| 42 | Control Devices Oversized | Standard | | | | | |
| 43 | Delivery Side | | | | | | |
| 44 | Suction side | | | | | | |
| 45 | Pressure Transmitter | | | | | | |
| 46 | Control Panel Position | | | | | | |
| 47 | Electric Pump Special Seals | | | | | | |
| 48 | Non-return Valve | Standard non-return valve | | | | | |

SMB10/5SVE03F005/T4

Performance curve

Company name
Contact
Phone number
e-mail address

Operating Data Specification

Flow 0 m³/h
Head 0 m
Static head 0 m

Hydraulic data (duty point)

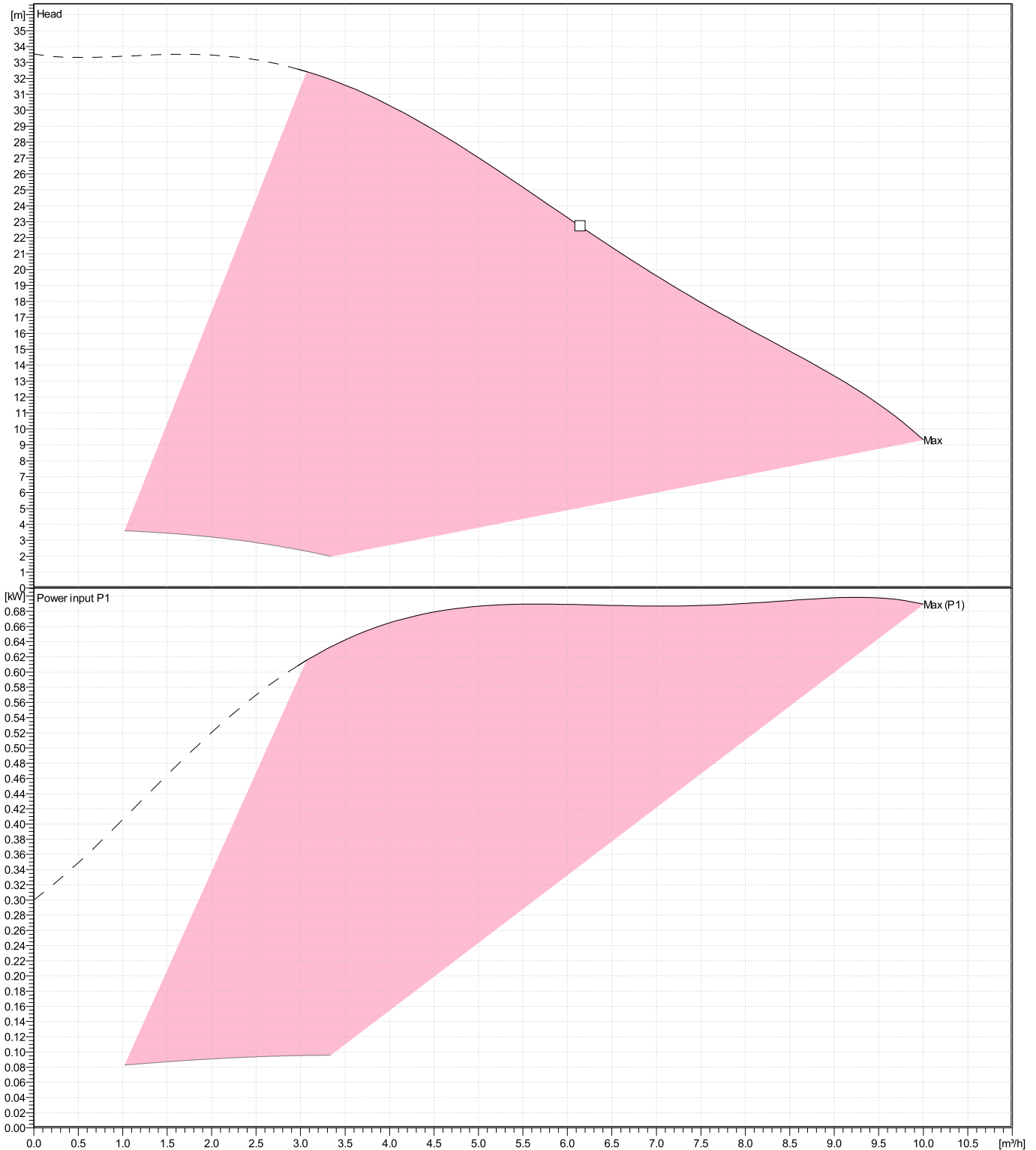
Flow
Head

Impeller design

Impeller R 0 mm
Frequency 50 Hz
Speed 2900 rpm

Power datas referred to:

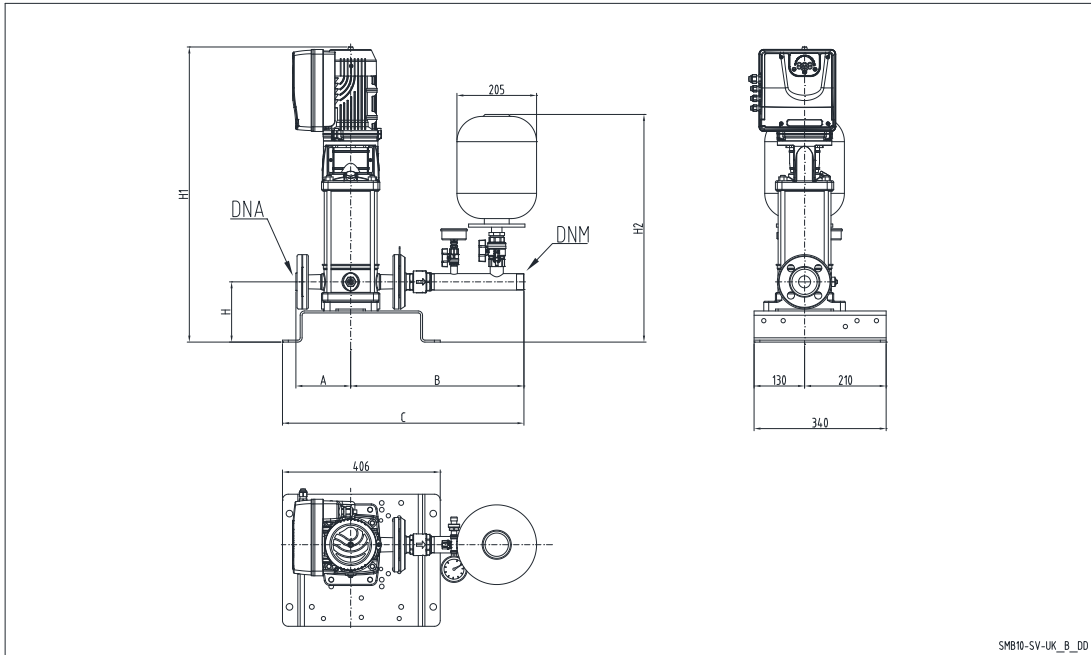
Water, pure [100%] ; 4°C; 1000kg/m³; 1.57mm²/s
Performance according to ISO 9906:2012 – Grade 3B



SMB10/5SVE03F005/T4

Dimensions

Company name
Contact
Phone number
e-mail address



PLEASE NOTE:

Dimensions

mm

| | | | | | | |
|-----|---------|--|--|--|--|--|
| A | 144 | | | | | Weight (Include external package) On demand |
| B | 446 | | | | | |
| C | 621 | | | | | |
| DNA | Rp1"1/4 | | | | | |
| DNM | R1"1/4 | | | | | |
| H | 155 | | | | | |
| H1 | 635 | | | | | |
| H2 | 586 | | | | | |

| | | | | | |
|----------------|---------------------|-------------------|----------|--------------------|----------|
| Project | Xylect-20943153 | Created by | | Last update | 8/2/2023 |
| Block | SMB10/5SVE03F005/T4 | Created on | 8/2/2023 | | |