

SMB10/15SVE02F015/M2

Technical data

Company name
Contact
Phone number
e-mail address

Operating data

1	Nominal flow	m ³ /h	0	Fluid	Water, pure
2	Nominal head	m	0	Operating temperature t A	°C 4
3	Static head	m	0	pH-value at t A	7
4	Inlet pressure	kPa	0	Density at t A	kg/m ³ 1000
5	Environmental temperature	°C	20	Kin. viscosity at t A	mm ² /s 1.569
6	Available system NPSH	m	0	Vapor pressure at t A	kPa 100
7	Solids		0	Altitude	m 0
8					

Pump data

9	Pump designation			Impeller Ø	Max.	mm	105
10	SMB10/15SVE02F015/M2				designed	mm	105
11	Design	Variable speed			Min.	mm	105
12	Make			Flow	Nominal	m ³ /h	()
13					Max-	m ³ /h	29
14	Speed	rpm	2900		Min-	m ³ /h	8.5
15				Head	Nominal	m	
16	Max. working pressure	kPa	293.4		at Qmax	m	3.9
17	Head H(Q=0)	m	30		at Qmin	m	28.7
18	Weight	kg	On demand	Shaft power	kW	()	
19	Weight data include external package			Max. shaft power	kW	1.5	
20				Efficiency	%		
21				NPSH 3%	m		

Materials

22	Booster			Motor data			
23	Non-return valves	Brass		Manufacturer	Lowara	Electric voltage	208 V
24	Pressure switches	Galvanized steel/AISI 301		Specific design	Single phase e-SM motor		
25	Pressure transmitters	Stainless steel, 1.4301, AISI 304		Type	ESM90R/115 SVE	Electric current	8.42 A
26	Caps/plugs/flanges	AISI 304 / 316		Rated power	1.5 kW	Degree of protection	IP 55
27	Fittings	AISI 304 / 316		Speed	3600 rpm	Insulation class	F
28				Frame size	90R		RAL 5010
29				Weight	0 kg		
30							
31							
32							

Standard options

33	Non return valve position		Non return valve in delivery side
34	Set certificate		
35	Material Combination		SMB10 - Standard materials combination
36	Pump Test		Set without certified pumps
37	High pressure protection		Without high pressure protection on delivery
38	Turned Delivery Manifold		
39	Oversize Piping		
40	Control Panel option		
41	Protection Against Dry Running		Without protection against dry running
42	Control Devices Oversized		Standard
43	Delivery Side		
44	Suction side		
45	Pressure Transmitter		
46	Control Panel Position		
47	Electric Pump Special Seals		
48	Non-return Valve		Standard non-return valve

SMB10/15SVE02F015/M2

Performance curve

Company name
Contact
Phone number
e-mail address

Operating Data Specification

Flow 0 m³/h
Head 0 m
Static head 0 m

Hydraulic data (duty point)

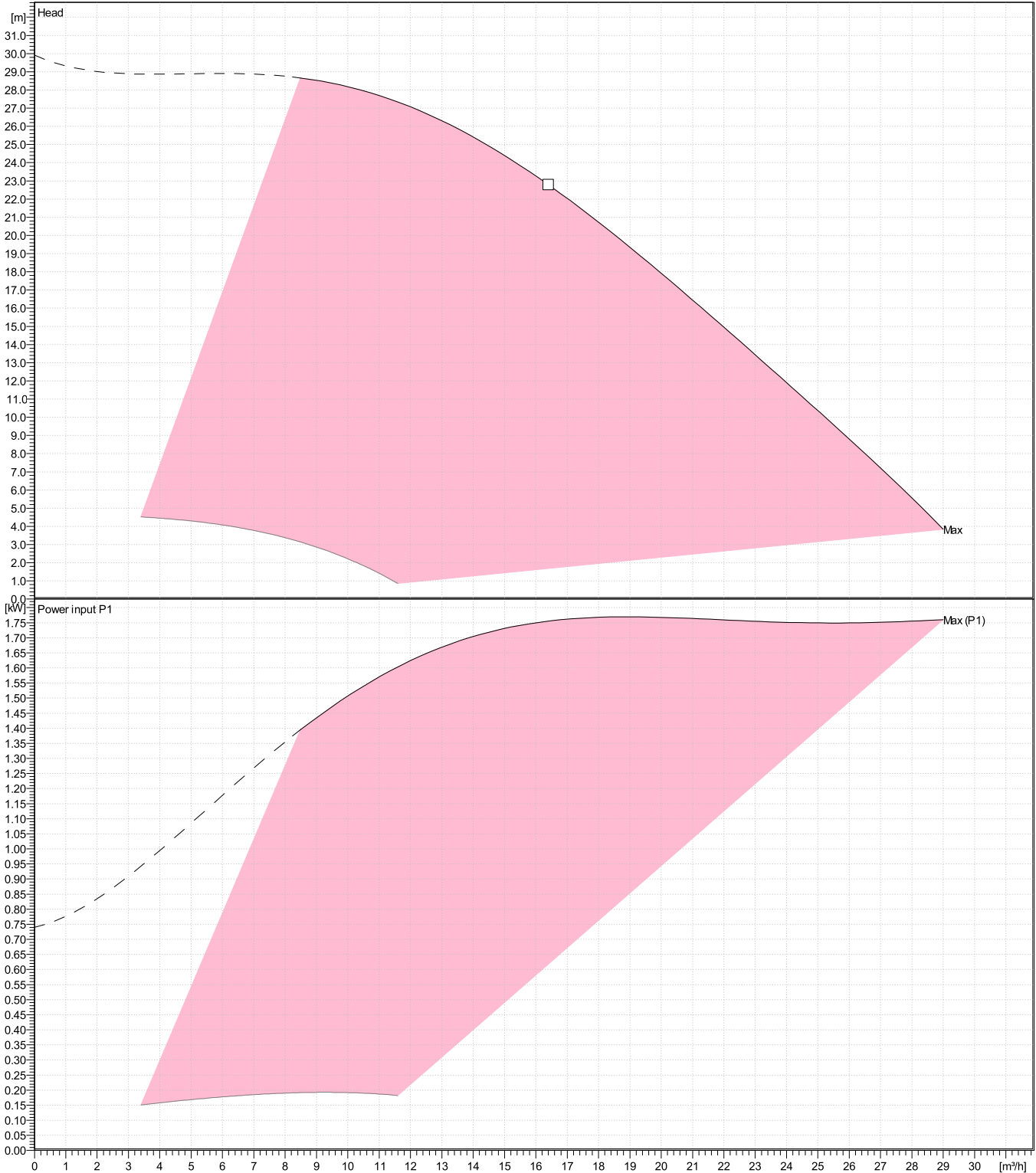
Flow
Head

Impeller design

Impeller R 105 mm
Frequency 50 Hz
Speed 2900 rpm

Power datas referred to:

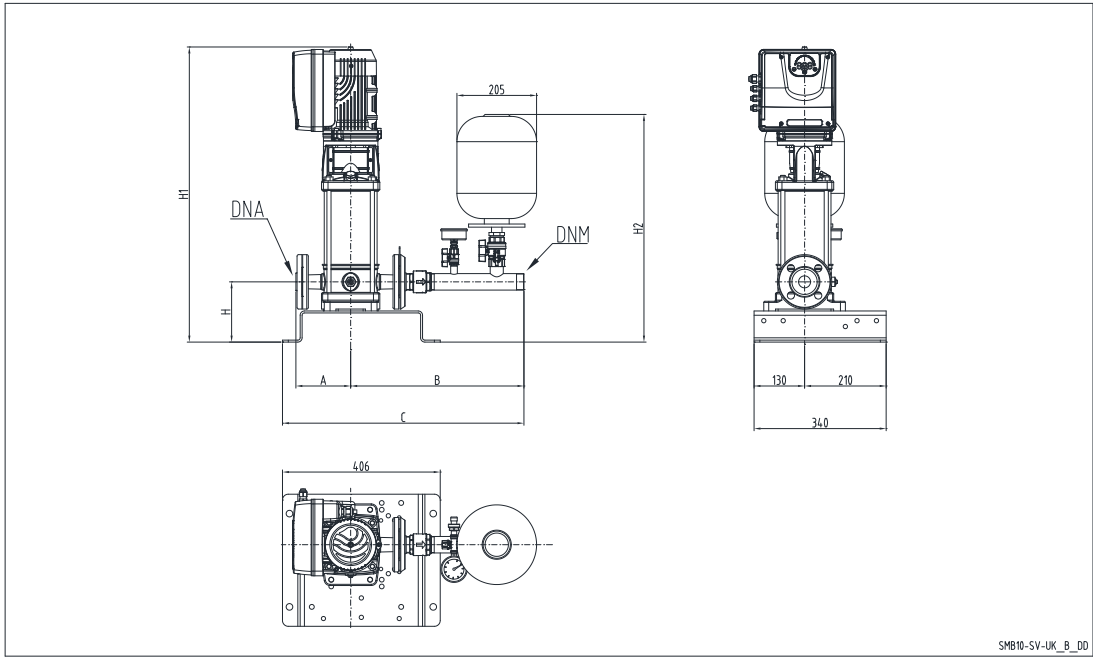
Water, pure [100%]; 4°C; 1000kg/m³; 1.57mm²/s
Performance according to ISO 9906:2012 – Grade 3B



SMB10/15SVE02F015/M2

Dimensions

Company name
Contact
Phone number
e-mail address



PLEASE NOTE:

Dimensions

mm

A	177					Weight (Include external package) On demand
B	534					
C	709					
DNA	Rp2"					
DNM	R2"					
H	170					
H1	741					
H2	743					

Project	Xylect-20943638	Created by		Last update	8/2/2023
Block	SMB10/15SVE02F015/M2	Created on	8/2/2023		