

SMB10/15SVE01F011/M2

Technical data

Company name
Contact
Phone number
e-mail address

Operating data					
1	Nominal flow	m ³ /h	0	Fluid	Water, pure
2	Nominal head	m	0	Operating temperature t A	°C 4
3	Static head	m	0	pH-value at t A	7
4	Inlet pressure	kPa	0	Density at t A	kg/m ³ 1000
5	Environmental temperature	°C	20	Kin. viscosity at t A	mm ² /s 1.569
6	Available system NPSH	m	0	Vapor pressure at t A	kPa 100
7	Solids		0	Altitude	m 0
8					
Pump data					
9	Pump designation			Impeller Ø	Max. mm 105
10	SMB10/15SVE01F011/M2			designed	mm 105
11	Design	Variable speed		Min.	mm 105
12	Make			Flow	Nominal m ³ /h ()
13				Max-	m ³ /h 29
14	Speed	rpm	2900	Min-	m ³ /h 10.2
15				Head	Nominal m
16	Max. working pressure	kPa	202.4	at Qmax	m 3.2
17	Head H(Q=0)	m	21	at Qmin	m 19.4
18	Weight	kg	On demand	Shaft power	kW ()
19	Weight data include external package			Max. shaft power	kW 1.1
20				Efficiency	%
21				NPSH 3%	m
Materials					
22		Booster		Motor data	
23	Non-return valves	Brass		Manufacturer	Lowara
24	Pressure switches	Galvanized steel/AISI 301		Electric voltage	208 V
25	Pressure transmitters	Stainless steel, 1.4301, AISI 304		Specific design	Single phase e-SM motor
26	Caps/plugs/flanges	AISI 304 / 316		Type	ESM90R/111 SVE
27	Fittings	AISI 304 / 316		Rated power	1.1 kW
28				Degree of protection	IP 55
29				Speed	3600 rpm
30				Insulation class	F
31				Frame size	90R
32				Weight	0 kg
33	Non return valve position				Non return valve in delivery side
34	Set certificate				
35	Material Combination				SMB10 - Standard materials combination
36	Pump Test				Set without certified pumps
37	High pressure protection				Without high pressure protection on delivery
38	Turned Delivery Manifold				
39	Oversize Piping				
40	Control Panel option				
41	Protection Against Dry Running				Without protection against dry running
42	Control Devices Oversized				Standard
43	Delivery Side				
44	Suction side				
45	Pressure Transmitter				
46	Control Panel Position				
47	Electric Pump Special Seals				
48	Non-return Valve				Standard non-return valve

SMB10/15SVE01F011/M2

Performance curve

Company name
Contact
Phone number
e-mail address

Operating Data Specification

Flow 0 m³/h
Head 0 m
Static head 0 m

Hydraulic data (duty point)

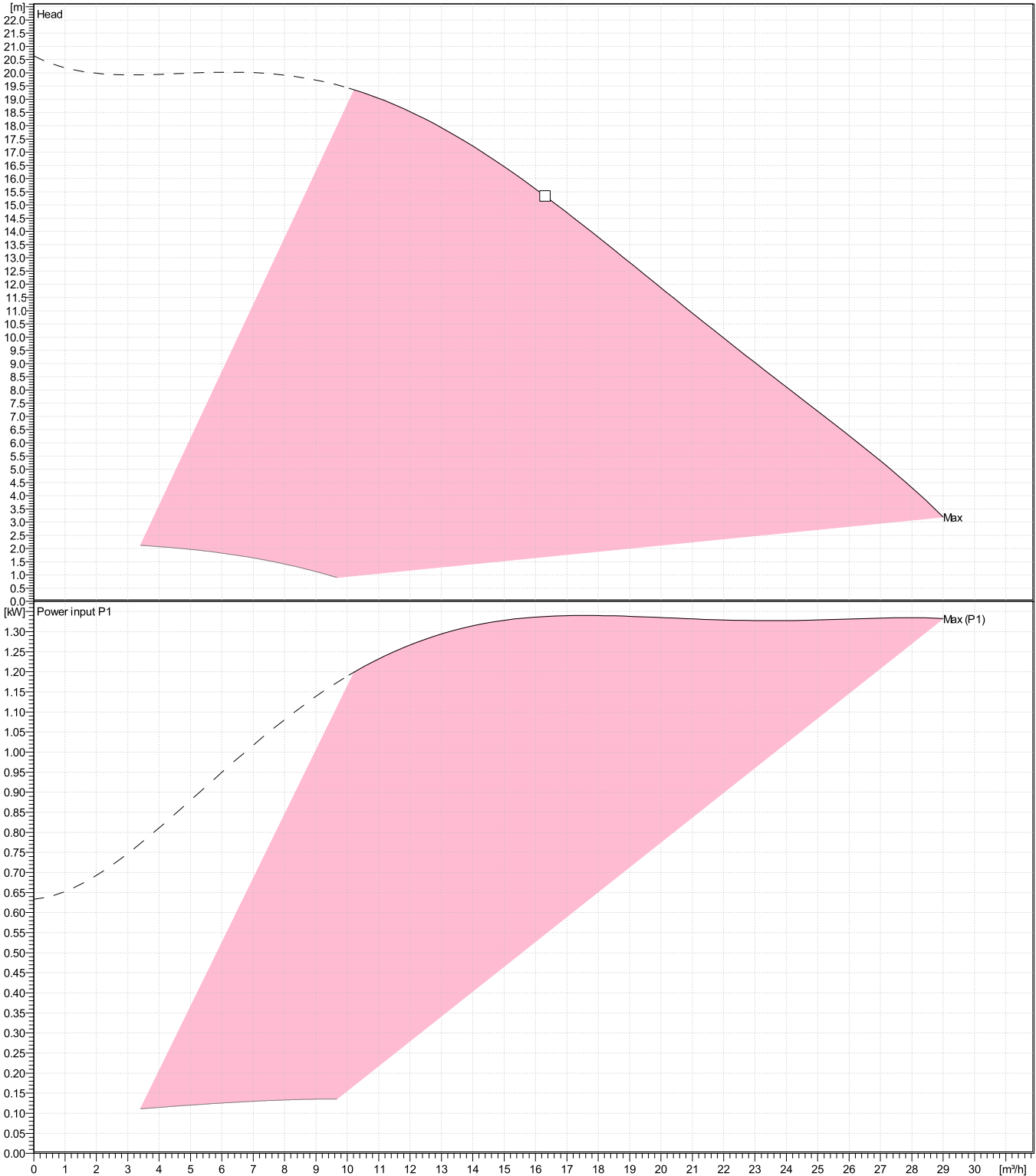
Flow
Head

Impeller design

Impeller R 105 mm
Frequency 50 Hz
Speed 2900 rpm

Power datas referred to:

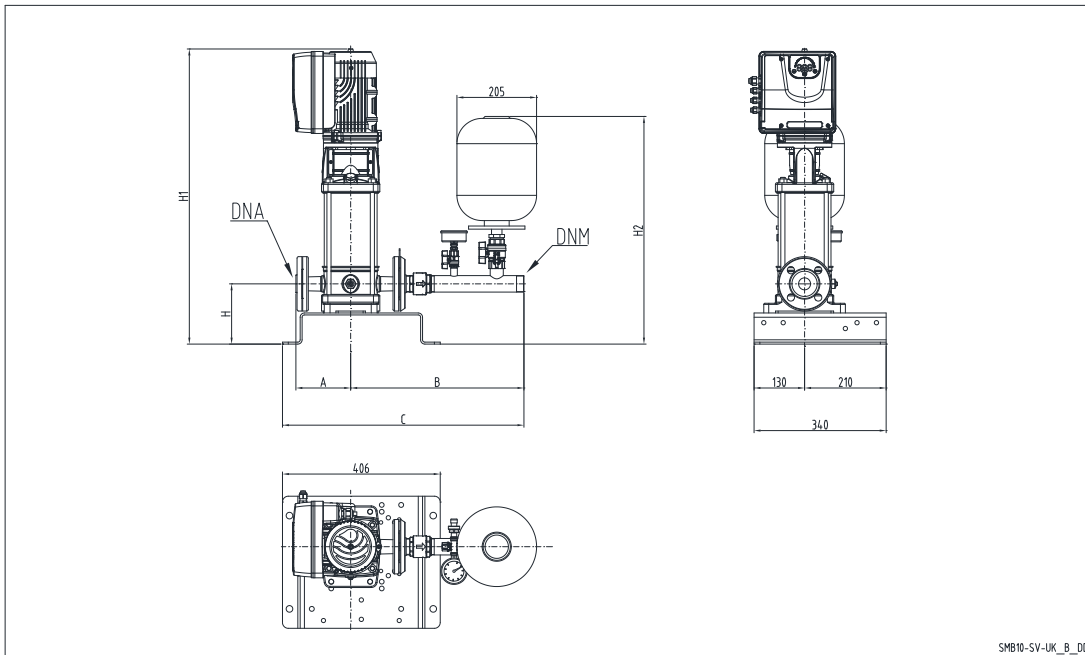
Water, pure [100%]; 4°C; 1000kg/m³; 1.57mm²/s
Performance according to ISO 9906:2012 – Grade 3B



SMB10/15SVE01F011/M2

Dimensions

Company name
Contact
Phone number
e-mail address



PLEASE NOTE:

Dimensions

mm

A	177					Weight (Include external package) On demand
B	534					
C	709					
DNA	Rp2"					
DNM	R2"					
H	170					
H1	741					
H2	743					

Project Xylect-20943638
Block SMB10/15SVE01F011/M2

Created by
Created on 8/2/2023

Last update 8/2/2023