

SMB20/22SVE01F007/T4/UK

Performance curve

Company name
Contact
Phone number
e-mail address

Operating Data Specification

Flow 0 m³/h
Head 0 m
Static head 0 m

Hydraulic data (duty point)

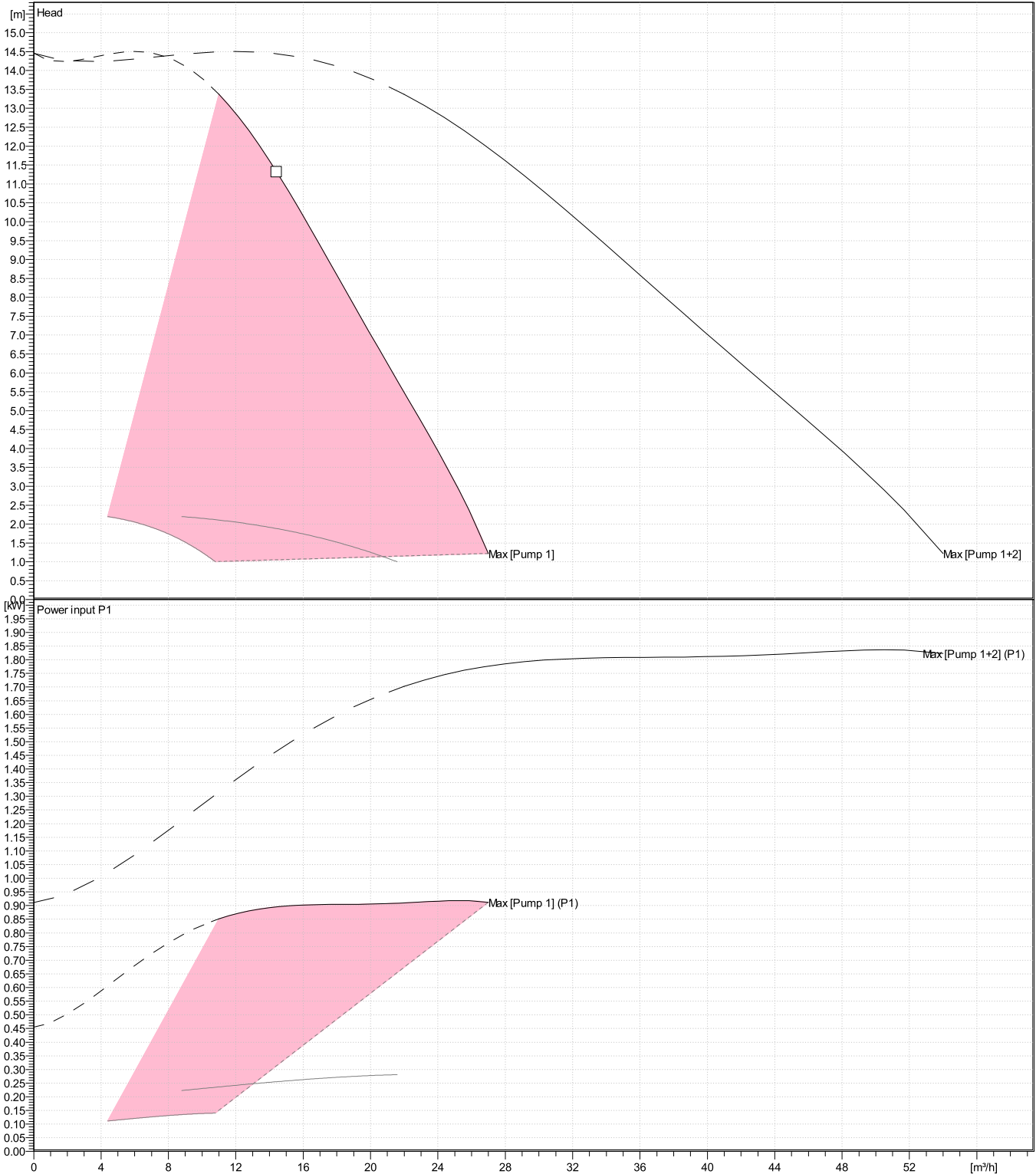
Flow
Head

Impeller design

Impeller R 0 mm
Frequency 50 Hz
Speed 2900 rpm

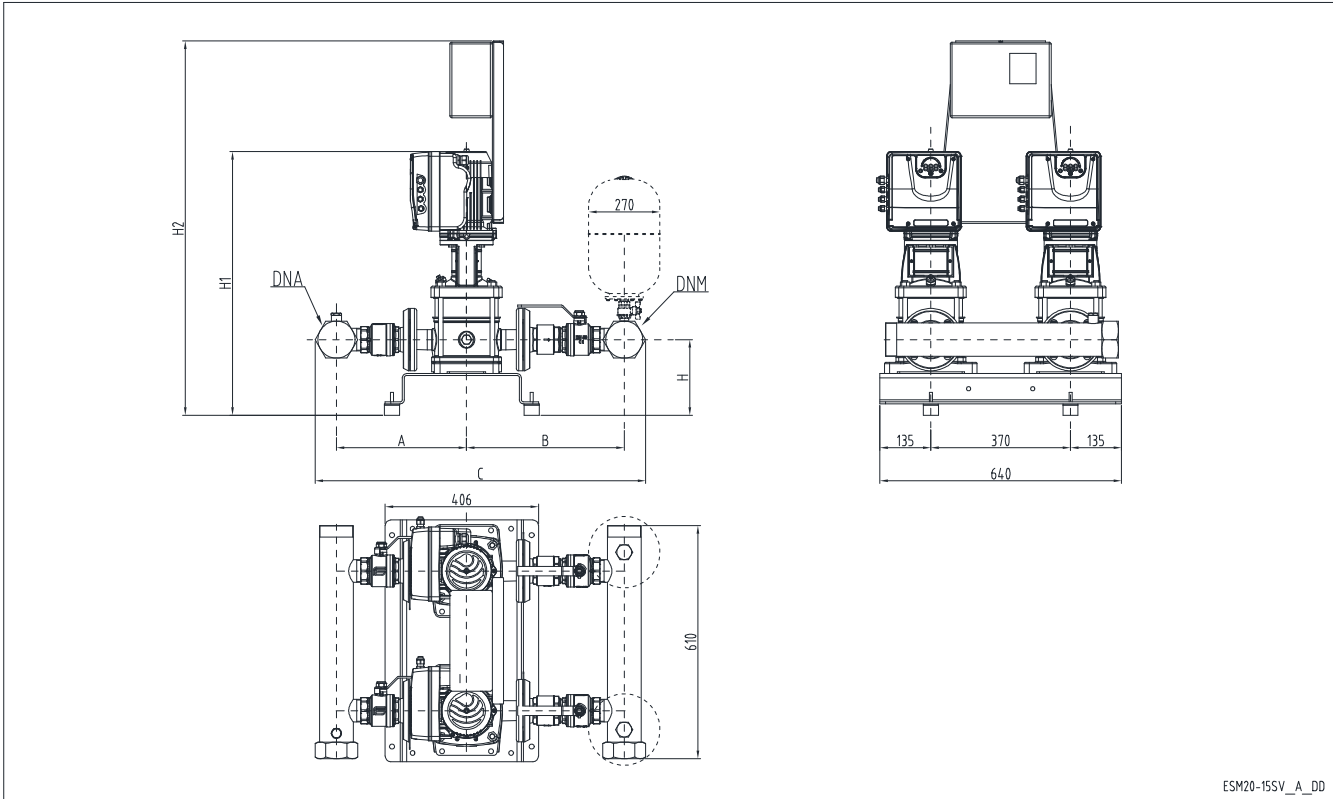
Power datas referred to:

Water, pure [100%]; 4°C; 1000kg/m³; 1.57mm²/s
Performance according to ISO 9906:2012 – Grade 3B



Dimensions

Company name
Contact
Phone number
e-mail address



PLEASE NOTE:

Dimensions

mm

A	345					Weight (Include external package) On demand
B	418					
C	851					
DNA	R3"					
DNM	R3"					
H	200					
H1	771					
H2	1145					

Project	Xylect-20864287	Created by		Last update	7/17/2023
Block	SMB20/22SVE01F007/T4/UK	Created on	7/17/2023		