

# SMB10/10HME03S15/T4

## Technical data

Company name  
Contact  
Phone number  
e-mail address

Operating data							
1	Nominal flow	m <sup>3</sup> /h	0	Fluid	Water, pure		
2	Nominal head	m	0	Operating temperature t A	°C 4		
3	Static head	m	0	pH-value at t A	7		
4	Inlet pressure	kPa	0	Density at t A	kg/m <sup>3</sup> 1000		
5	Environmental temperature	°C	20	Kin. viscosity at t A	mm <sup>2</sup> /s 1.569		
6	Available system NPSH	m	0	Vapor pressure at t A	kPa 100		
7	Solids		0	Altitude	m 0		
8							
Pump data							
9	Pump designation			Impeller Ø	Max.	mm	
10	SMB10/10HME03S15/T4				designed	mm	
11	Design	Variable speed			Min.	mm	
12	Make				Flow	Nominal	m <sup>3</sup> /h ( )
13				Max-		m <sup>3</sup> /h 17	
14	Speed	rpm	2900	Min-		m <sup>3</sup> /h 6.1	
15					Head	Nominal	m
16	Max. working pressure	kPa	514.1	at Qmax		m 17.6	
17	Head H(Q=0)	m	52	at Qmin		m 49.1	
18	Weight	kg	On demand	Shaft power	kW ( )		
19	Weight data include external package			Max. shaft power	kW	1.6	
20					Efficiency	%	
21					NPSH 3%	m	
Materials							
22		<b>Booster</b>		<b>Motor data</b>			
23	Non-return valves	Brass		Manufacturer	Lowara	Electric voltage	240 V
24	Pressure switches	Galvanized steel/AISI 301		Specific design	Three phase e-SM motor		
25	Pressure transmitters	Stainless steel, 1.4301, AISI 304		Type	ESM80/315 HM..	Electric current	6.08 A
26	Caps/plugs/flanges	AISI 304 / 316		Rated power	1.5 kW	Degree of protection	IP 55
27	Fittings	AISI 304 / 316		Speed	3600 rpm	Insulation class	F
28					Frame size	80	RAL 5010
29					Weight	0 kg	
30							
31							
32							
Standard options							
33	Non return valve position	Non return valve in delivery side					
34	Set certificate						
35	Material Combination	SMB10 - Standard materials combination					
36	Pump Test	Set without certified pumps					
37	High pressure protection	Without high pressure protection on delivery					
38	Turned Delivery Manifold						
39	Oversize Piping						
40	Control Panel						
41	Protection Against Dry Running	Without protection against dry running					
42	Control Devices Oversized	Standard					
43	Delivery Side						
44	Suction side						
45	Pressure Transmitter						
46	Control Panel Position						
47	Electric Pump Special Seals						
48	Non-return Valve	Standard non-return valve					

# SMB10/10HME03S15/T4

## Performance curve

Company name  
Contact  
Phone number  
e-mail address

### Operating Data Specification

Flow 0 m<sup>3</sup>/h  
Head 0 m  
Static head 0 m

### Hydraulic data (duty point)

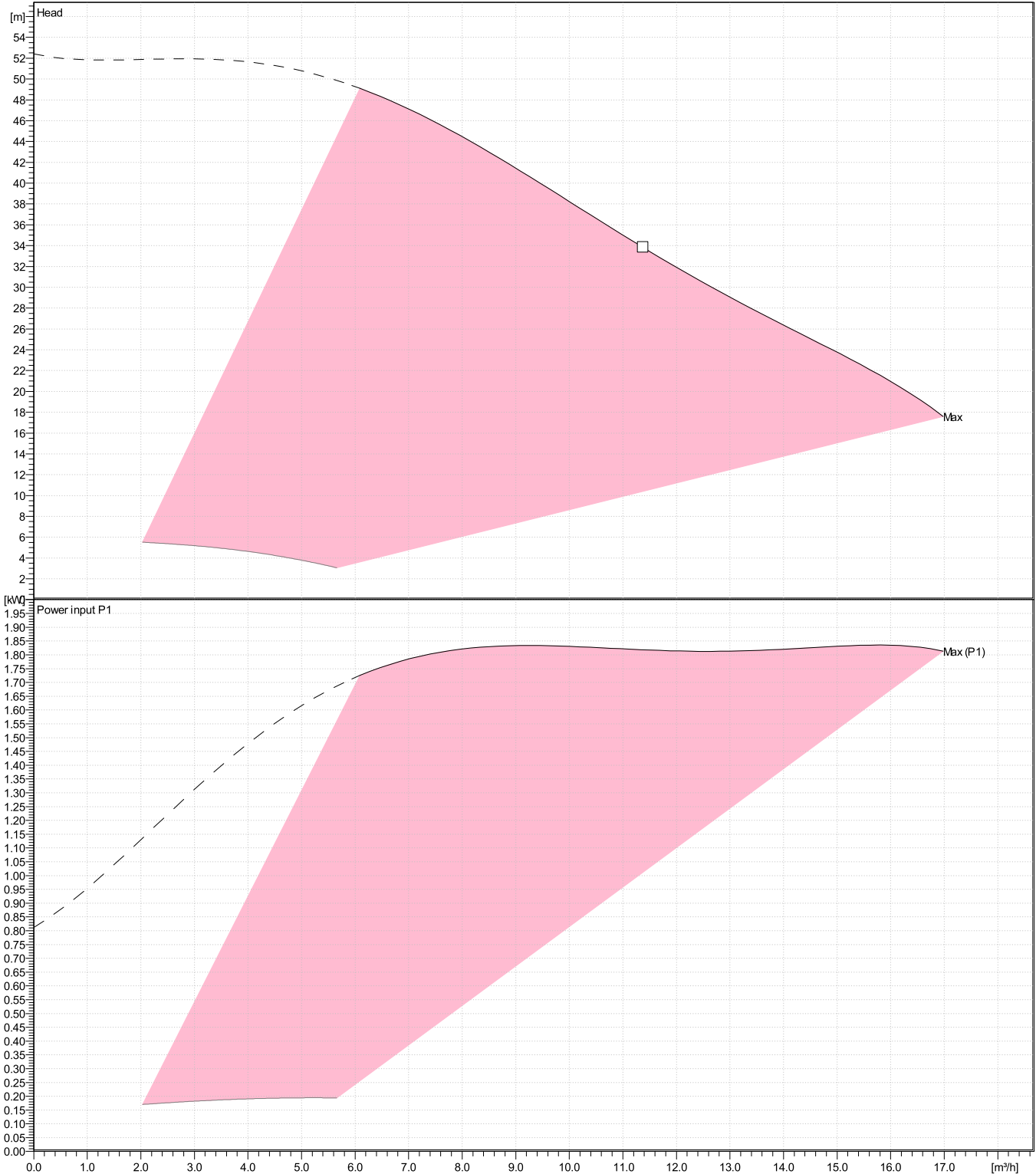
Flow  
Head

### Impeller design

Impeller R 0 mm  
Frequency 50 Hz  
Speed 2900 rpm

### Power datas referred to:

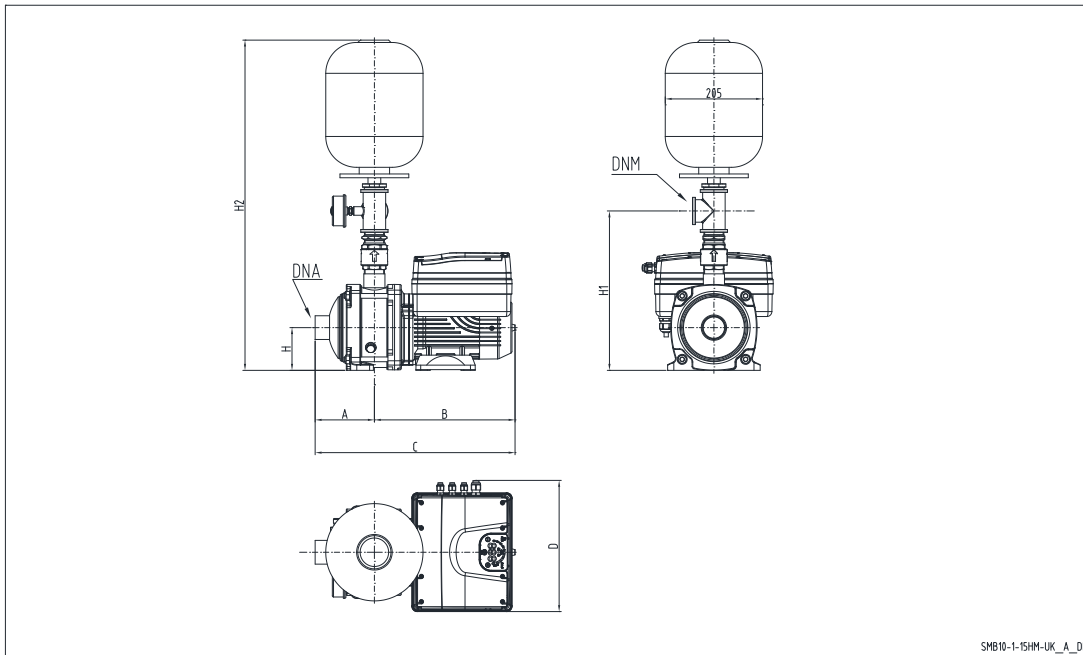
Water, pure [100%]; 4°C; 1000kg/m<sup>3</sup>; 1.57mm<sup>2</sup>/s  
Performance according to ISO 9906:2012 – Grade 3B



**SMB10/10HME03S15/T4**

**Dimensions**

Company name  
Contact  
Phone number  
e-mail address



SMB10-1-15HM-UK\_A\_DD

**PLEASE NOTE:**

**Dimensions**

mm

A	125					Weight (Include external package) On demand
B	297					
C	422					
D	277					
DNA	Rp 1" 1/2					
DNM	Rp 1" 1/4					
H	90					
H1	337					
H2	702					

Project Xylect-20856480  
Block SMB10/10HME03S15/T4

Created by  
Created on 7/14/2023

Last update 7/14/2023