

SMB10/5HME02S03/T4

Technical data

Company name
Contact
Phone number
e-mail address

| Operating data | | | | | |
|------------------|--------------------------------------|-----------------------------------|-----------|--|--------------------------|
| 1 | Nominal flow | m ³ /h | 0 | Fluid | Water, pure |
| 2 | Nominal head | m | 0 | Operating temperature t A | °C 4 |
| 3 | Static head | m | 0 | pH-value at t A | 7 |
| 4 | Inlet pressure | kPa | 0 | Density at t A | kg/m ³ 1000 |
| 5 | Environmental temperature | °C | 20 | Kin. viscosity at t A | mm ² /s 1.569 |
| 6 | Available system NPSH | m | 0 | Vapor pressure at t A | kPa 100 |
| 7 | Solids | | 0 | Altitude | m 0 |
| 8 | | | | | |
| Pump data | | | | | |
| 9 | Pump designation | | | Impeller Ø | Max. mm |
| 10 | SMB10/5HME02S03/T4 | | | designed | mm |
| 11 | Design | Variable speed | | Min. | mm |
| 12 | Make | | | Nominal | m ³ /h () |
| 13 | | | | Max- | m ³ /h 10.2 |
| 14 | Speed | rpm | 2900 | Min- | m ³ /h 3.2 |
| 15 | | | | Nominal | m |
| 16 | Max. working pressure | kPa | 217.5 | at Qmax | m 5.8 |
| 17 | Head H(Q=0) | m | 22 | at Qmin | m 21.6 |
| 18 | Weight | kg | On demand | Shaft power | kW () |
| 19 | Weight data include external package | | | Max. shaft power | kW .4 |
| 20 | | | | Efficiency | % |
| 21 | | | | NPSH 3% | m |
| Materials | | | | | |
| 22 | | Booster | | Motor data | |
| 23 | Non-return valves | Brass | | Manufacturer | Lowara |
| 24 | Pressure switches | Galvanized steel/AISI 301 | | Electric voltage | 240 V |
| 25 | Pressure transmitters | Stainless steel, 1.4301, AISI 304 | | Specific design | Three phase e-SM motor |
| 26 | Caps/plugs/flanges | AISI 304 / 316 | | Type | ESM80/303 HM.. |
| 27 | Fittings | AISI 304 / 316 | | Rated power | 0.37 kW |
| 28 | | | | Speed | 3600 rpm |
| 29 | | | | Frame size | 80 |
| 30 | | | | Weight | 0 kg |
| 31 | | | | | |
| 32 | | | | | |
| Standard options | | | | | |
| 33 | Non return valve position | | | Non return valve in delivery side | |
| 34 | Set certificate | | | | |
| 35 | Material Combination | | | SMB10 - Standard materials combination | |
| 36 | Pump Test | | | Set without certified pumps | |
| 37 | High pressure protection | | | Without high pressure protection on delivery | |
| 38 | Turned Delivery Manifold | | | | |
| 39 | Oversize Piping | | | | |
| 40 | Control Panel | | | | |
| 41 | Protection Against Dry Running | | | Without protection against dry running | |
| 42 | Control Devices Oversized | | | Standard | |
| 43 | Delivery Side | | | | |
| 44 | Suction side | | | | |
| 45 | Pressure Transmitter | | | | |
| 46 | Control Panel Position | | | | |
| 47 | Electric Pump Special Seals | | | | |
| 48 | Non-return Valve | | | Standard non-return valve | |

SMB10/5HME02S03/T4

Performance curve

Company name
Contact
Phone number
e-mail address

Operating Data Specification

Flow 0 m³/h
Head 0 m
Static head 0 m

Hydraulic data (duty point)

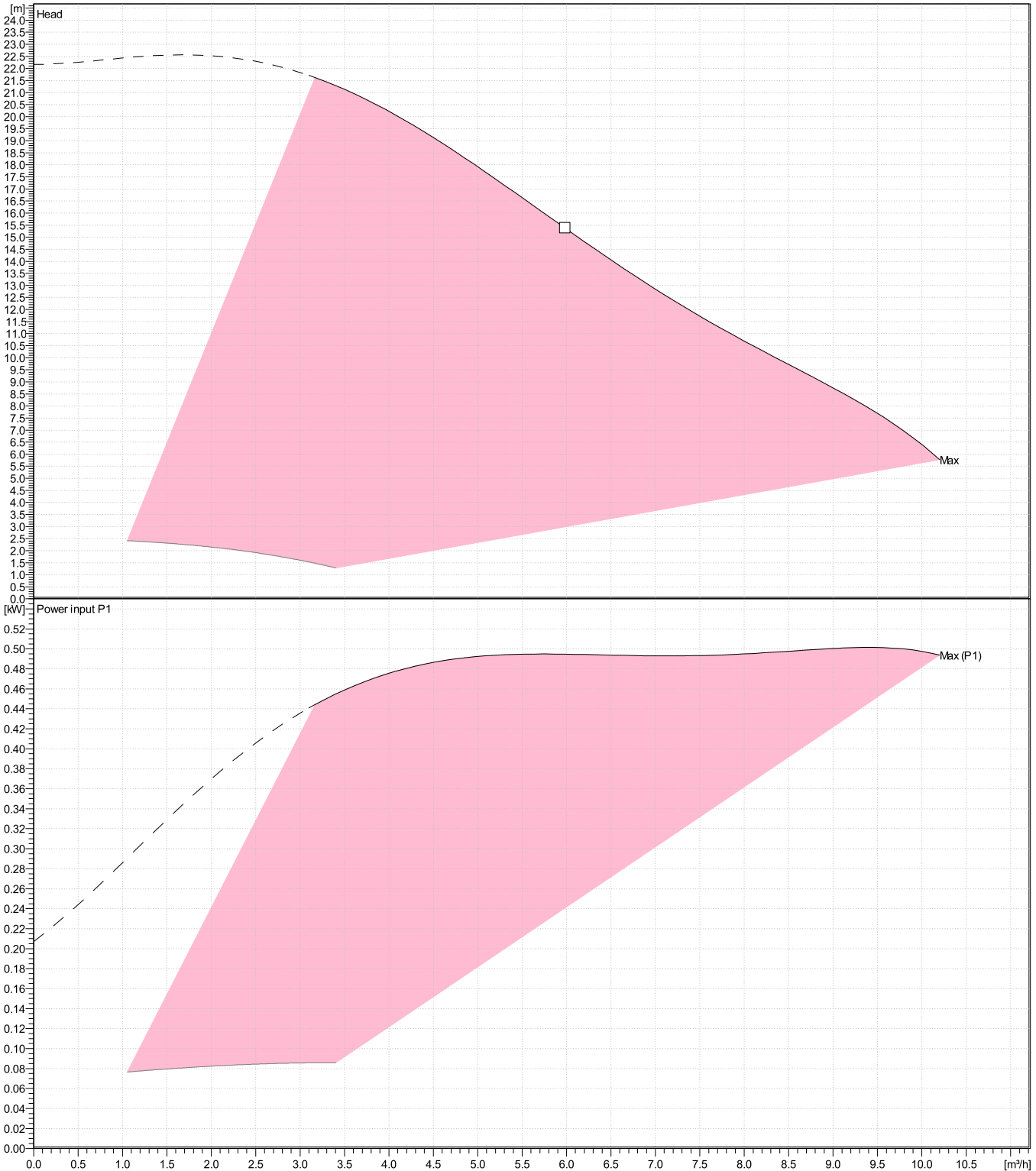
Flow
Head

Impeller design

Impeller R 0 mm
Frequency 50 Hz
Speed 2900 rpm

Power datas referred to:

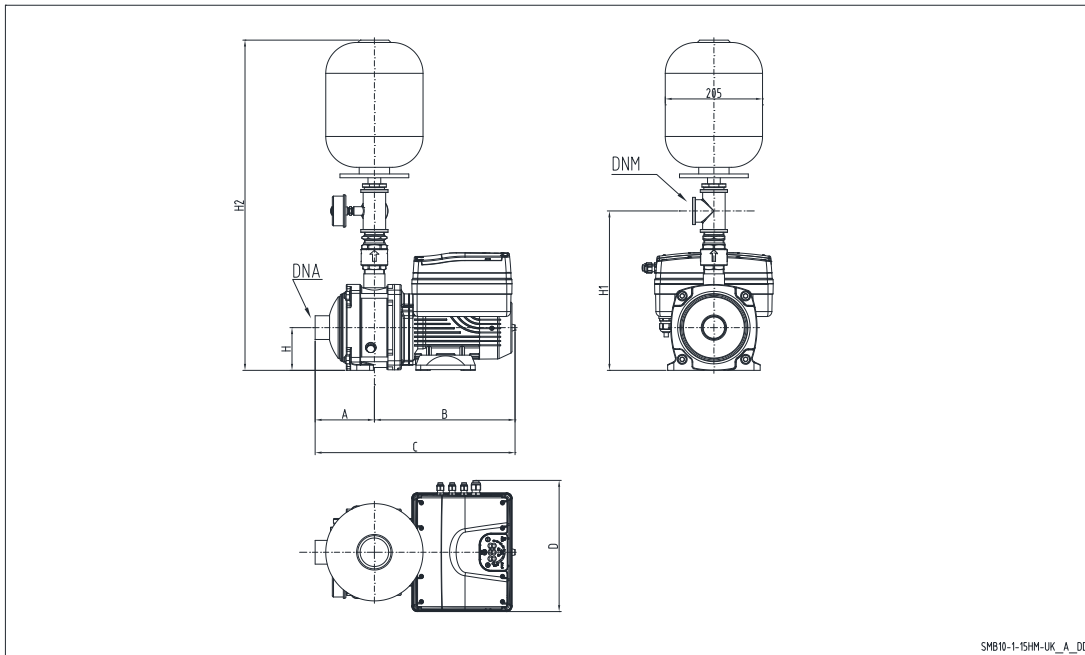
Water, pure [100%]; 4°C; 1000kg/m³; 1.57mm²/s
Performance according to ISO 9906:2012 – Grade 3B



SMB10/5HME02S03/T4

Dimensions

Company name
Contact
Phone number
e-mail address



SMB10-1-15HM-UK_A_DD

PLEASE NOTE:

Dimensions

mm

| | | | | | | |
|-----|-----------|--|--|--|--|--|
| A | 104 | | | | | Weight (Include external package) On demand |
| B | 287 | | | | | |
| C | 391 | | | | | |
| D | 277 | | | | | |
| DNA | Rp 1" 1/4 | | | | | |
| DNM | Rp 1" | | | | | |
| H | 90 | | | | | |
| H1 | 345 | | | | | |
| H2 | 693 | | | | | |

Project Xylect-20856480
Block SMB10/5HME02S03/T4

Created by
Created on 7/14/2023

Last update 7/14/2023