

SMB10/3HME14S22/T4

Technical data

Company name
Contact
Phone number
e-mail address

Operating data					
1	Nominal flow	m ³ /h	0	Fluid	Water, pure
2	Nominal head	m	0	Operating temperature t A	°C 4
3	Static head	m	0	pH-value at t A	7
4	Inlet pressure	kPa	0	Density at t A	kg/m ³ 1000
5	Environmental temperature	°C	20	Kin. viscosity at t A	mm ² /s 1.569
6	Available system NPSH	m	0	Vapor pressure at t A	kPa 100
7	Solids		0	Altitude	m 0
8					

Pump data							
9	Pump designation			Impeller Ø	Max.	mm	
10	SMB10/3HME14S22/T4				designed	mm	
11	Design	Variable speed			Min.	mm	
12	Make			Flow	Nominal	m ³ /h	()
13					Max-	m ³ /h	5.2
14	Speed	rpm	2900		Min-	m ³ /h	1.4
15				Head	Nominal	m	
16	Max. working pressure	kPa	1517.6		at Qmax	m	79.1
17	Head H(Q=0)	m	150		at Qmin	m	156.5
18	Weight	kg	On demand	Shaft power	kW		()
19	Weight data include external package			Max. shaft power	kW		2.3
20				Efficiency	%		
21				NPSH 3%	m		

Materials				Motor data			
22		Booster		Manufacturer	Lowara	Electric voltage	460 V
23	Non-return valves	Brass		Specific design	Three phase e-SM motor		
24	Pressure switches	Galvanized steel/AISI 301		Type	ESM80/322 HM..	Electric current	5.24 A
25	Pressure transmitters	Stainless steel, 1.4301, AISI 304		Rated power	2.2 kW	Degree of protection	IP 55
26	Caps/plugs/flanges	AISI 304 / 316		Speed	3600 rpm	Insulation class	F
27	Fittings	AISI 304 / 316		Frame size	80		RAL 5010
28				Weight	0 kg		
29							
30							
31							
32							

Standard options		
33	Non return valve position	Non return valve in delivery side
34	Set certificate	
35	Material Combination	SMB10 - Standard materials combination
36	Pump Test	Set without certified pumps
37	High pressure protection	Without high pressure protection on delivery
38	Turned Delivery Manifold	
39	Oversize Piping	
40	Control Panel	
41	Protection Against Dry Running	Without protection against dry running
42	Control Devices Oversized	Standard
43	Delivery Side	
44	Suction side	
45	Pressure Transmitter	
46	Control Panel Position	
47	Electric Pump Special Seals	
48	Non-return Valve	Standard non-return valve

SMB10/3HME14S22/T4

Performance curve

Company name
Contact
Phone number
e-mail address

Operating Data Specification

Flow 0 m³/h
Head 0 m
Static head 0 m

Hydraulic data (duty point)

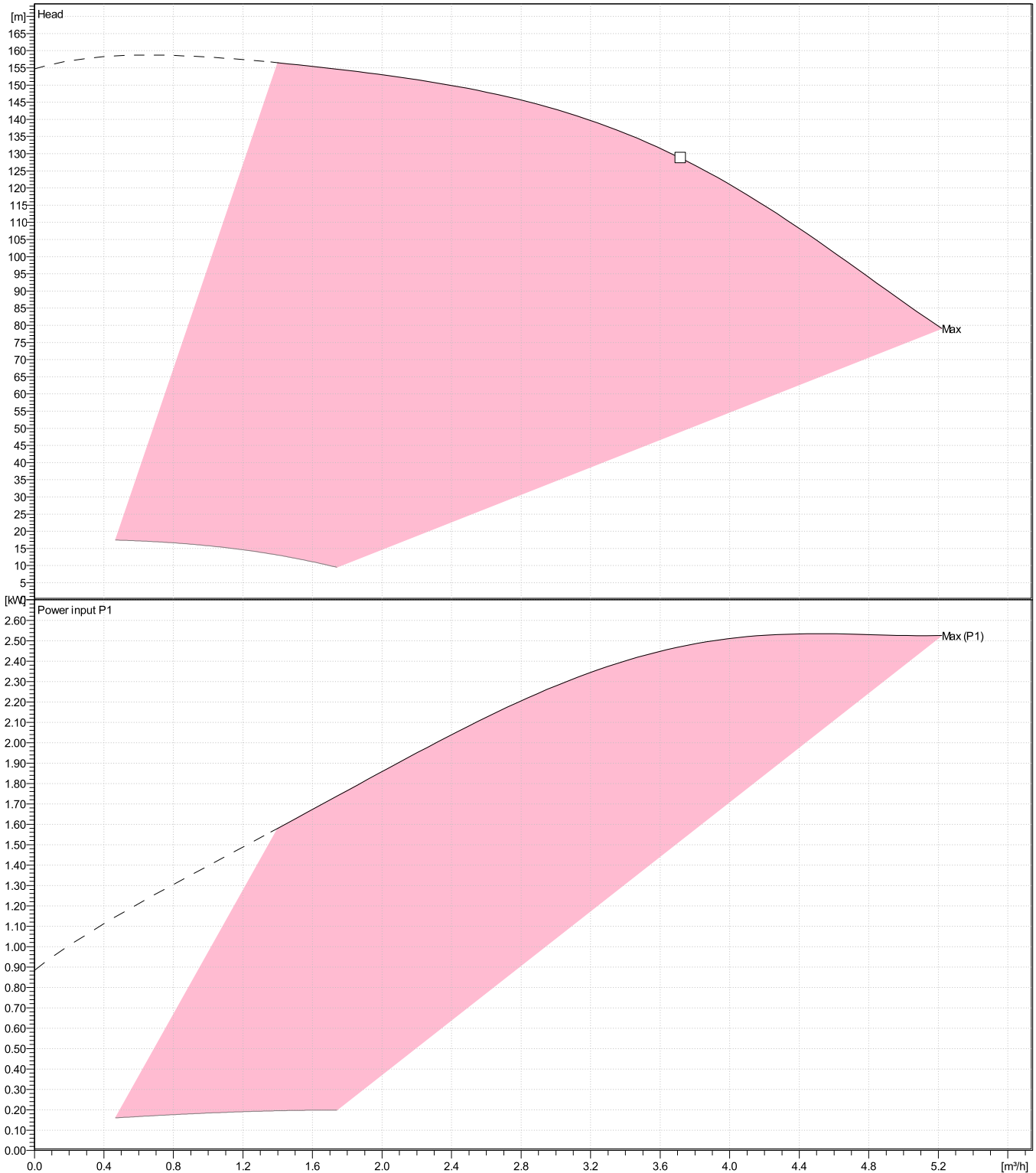
Flow
Head

Impeller design

Impeller R 0 mm
Frequency 50 Hz
Speed 2900 rpm

Power datas referred to:

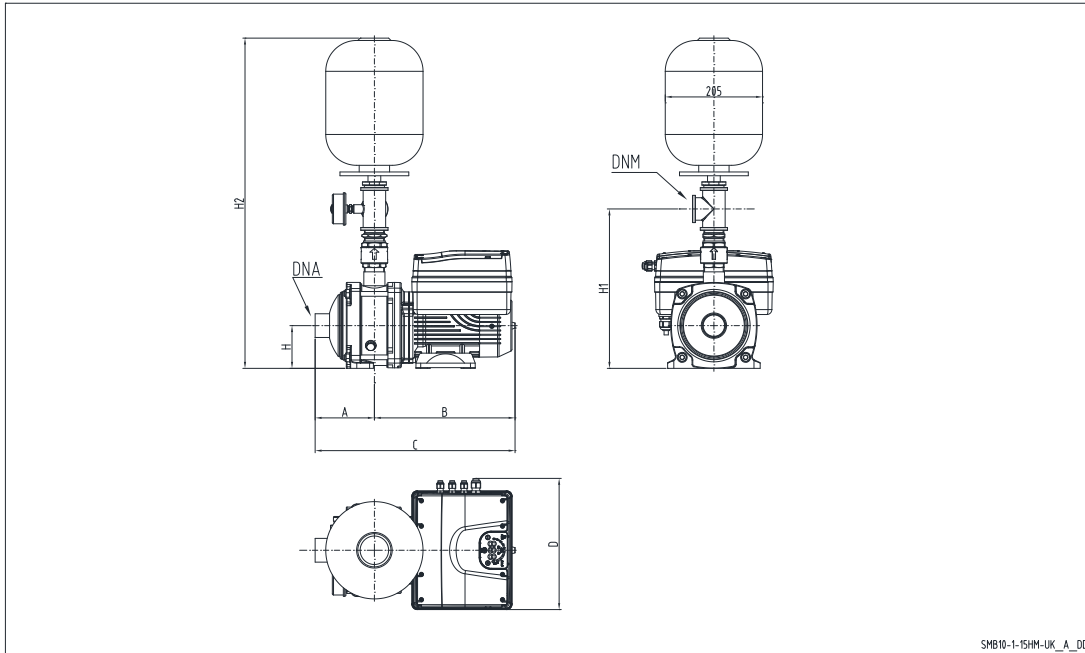
Water, pure [100%]; 4°C; 1000kg/m³; 1.57mm²/s
Performance according to ISO 9906:2012 – Grade 3B



SMB10/3HME14S22/T4

Dimensions

Company name
Contact
Phone number
e-mail address



SMB10-1-15HM-UK_A_DD

PLEASE NOTE:

Dimensions

mm

A	291					Weight (Include external package) On demand
B	296					
C	587					
D	277					
DNa	Rp 1"					
DNM	Rp 1"					
H	90					
H1	285					
H2	633					

Project	Xylect-20856480	Created by		Last update	7/14/2023
Block	SMB10/3HME14S22/T4	Created on	7/14/2023		