

## SMB10/3HME07S07/T4

### Technical data

Company name  
Contact  
Phone number  
e-mail address

Operating data								
1	Nominal flow	m <sup>3</sup> /h	0	Fluid	Water, pure			
2	Nominal head	m	0	Operating temperature t A	°C 4			
3	Static head	m	0	pH-value at t A	7			
4	Inlet pressure	kPa	0	Density at t A	kg/m <sup>3</sup> 1000			
5	Environmental temperature	°C	20	Kin. viscosity at t A	mm <sup>2</sup> /s 1.569			
6	Available system NPSH	m	0	Vapor pressure at t A	kPa 100			
7	Solids		0	Altitude	m 0			
8								
Pump data								
9	Pump designation			Impeller Ø	Max.	mm		
10	SMB10/3HME07S07/T4				designed	mm		
11	Design	Variable speed			Min.	mm		
12	Make				Flow	Nominal	m <sup>3</sup> /h ( )	
13				Max-		m <sup>3</sup> /h 5.2		
14	Speed	rpm	2900	Min-		m <sup>3</sup> /h 1.4		
15					Head	Nominal	m	
16	Max. working pressure	kPa	757	at Qmax		m 20.4		
17	Head H(Q=0)	m	77	at Qmin		m 78.3		
18	Weight	kg	On demand	Shaft power	kW ( )			
19	Weight data include external package				Max. shaft power	kW .8		
20					Efficiency	%		
21					NPSH 3%	m		
Materials								
22		Booster		Motor data				
23	Non-return valves	Brass		Manufacturer	Lowara	Electric voltage	240 V	
24	Pressure switches	Galvanized steel/AISI 301		Specific design	Three phase e-SM motor			
25	Pressure transmitters	Stainless steel, 1.4301, AISI 304		Type	ESM80/307 HM..		Electric current	3.28 A
26	Caps/plugs/flanges	AISI 304 / 316		Rated power	0.75 kW		Degree of protection	IP 55
27	Fittings	AISI 304 / 316		Speed	3600 rpm		Insulation class	F
28					Frame size	80		RAL 5010
29					Weight	0 kg		
30								
31								
32								
Standard options								
33	Non return valve position	Non return valve in delivery side						
34	Set certificate							
35	Material Combination	SMB10 - Standard materials combination						
36	Pump Test	Set without certified pumps						
37	High pressure protection	Without high pressure protection on delivery						
38	Turned Delivery Manifold							
39	Oversize Piping							
40	Control Panel							
41	Protection Against Dry Running	Without protection against dry running						
42	Control Devices Oversized	Standard						
43	Delivery Side							
44	Suction side							
45	Pressure Transmitter							
46	Control Panel Position							
47	Electric Pump Special Seals							
48	Non-return Valve	Standard non-return valve						

**SMB10/3HME07S07/T4**

**Performance curve**

Company name  
Contact  
Phone number  
e-mail address

**Operating Data Specification**

Flow 0 m<sup>3</sup>/h  
Head 0 m  
Static head 0 m

**Hydraulic data (duty point)**

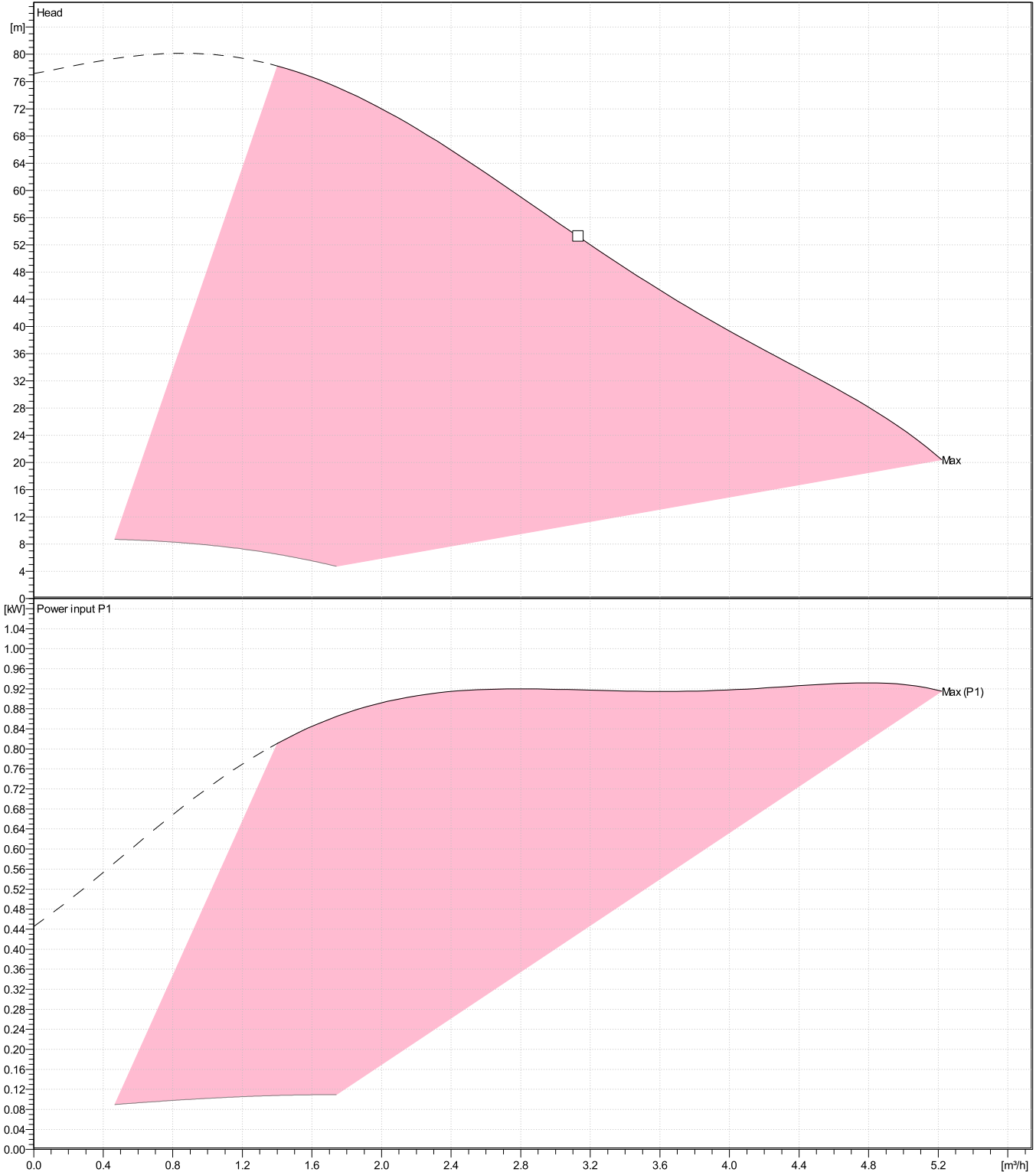
Flow  
Head

**Impeller design**

Impeller R 0 mm  
Frequency 50 Hz  
Speed 2900 rpm

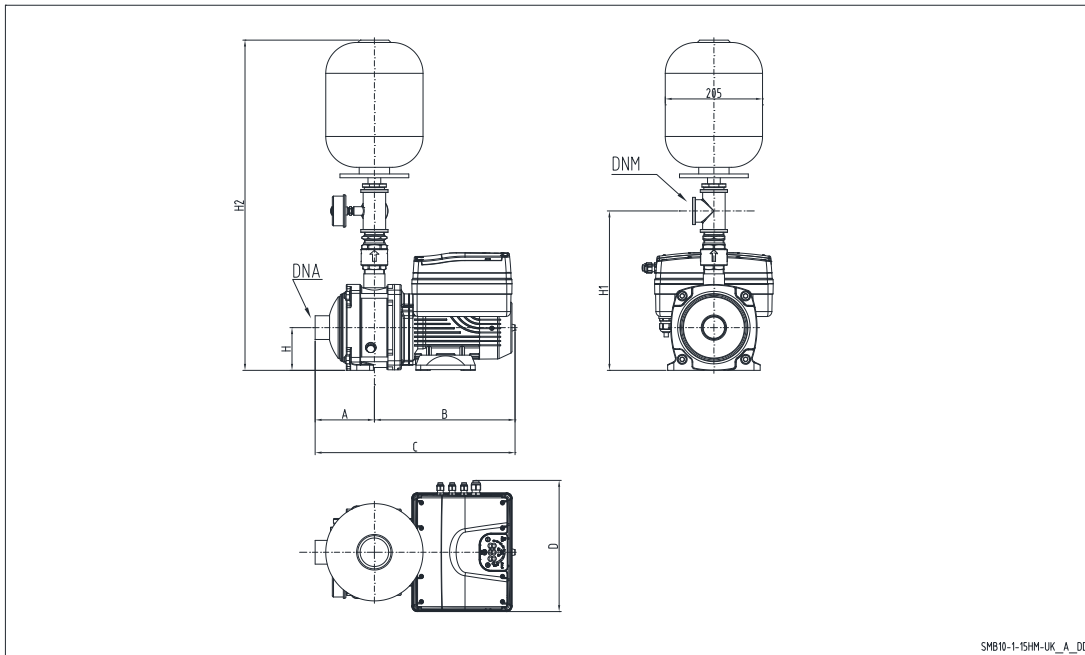
**Power datas referred to:**

Water, pure [100%]; 4°C; 1000kg/m<sup>3</sup>; 1.57mm<sup>2</sup>/s  
Performance according to ISO 9906:2012 – Grade 3B



**Dimensions**

Company name  
Contact  
Phone number  
e-mail address



SMB10-1-15HM-UK\_A\_DD

**PLEASE NOTE:**

**Dimensions**

mm

A	151					Weight (Include external package) On demand
B	296					
C	447					
D	277					
DNA	Rp 1"					
DNM	Rp 1"					
H	90					
H1	285					
H2	633					

**Project** Xylect-20856480  
**Block** SMB10/3HME07S07/T4

**Created by**  
**Created on** 7/14/2023

**Last update** 7/14/2023