

## SMB10/1HME05S03/T4

### Technical data

Company name  
Contact  
Phone number  
e-mail address

| Operating data   |                                      |                                   |           |  |  |
|------------------|--------------------------------------|-----------------------------------|-----------|--|--|
| 1                | Nominal flow                         | m <sup>3</sup> /h                 | 0         | Fluid  | Water, pure                            |
| 2                | Nominal head                         | m                                 | 0         | Operating temperature t A                    | °C 4                                   |
| 3                | Static head                          | m                                 | 0         | pH-value at t A                              | 7                                      |
| 4                | Inlet pressure                       | kPa                               | 0         | Density at t A                               | kg/m <sup>3</sup> 1000                 |
| 5                | Env ironmental temperature           | °C                                | 20        | Kin. viscosity at t A                        | mm <sup>2</sup> /s 1.569               |
| 6                | Av ailable system NPSH               | m                                 | 0         | Vapor pressure at t A                        | kPa 100                                |
| 7                | Solids                               |                                   | 0         | Altitude                                     | m 0                                    |
| 8                |                                      |                                   |           |  |  |
| Pump data        |                                      |                                   |           |  |  |
| 9                | Pump designation                     |                                   |           | Impeller Ø                                   | Max. mm                                |
| 10               | SMB10/1HME05S03/T4                   |                                   |           |  | designed mm                            |
| 11               | Design                               | Variable speed                    |           |  | Min. mm                                |
| 12               | Make                                 |                                   |           | Flow   | Nominal m <sup>3</sup> /h ( )          |
| 13               |                                      |                                   |           |  | Max- m <sup>3</sup> /h 2.8             |
| 14               | Speed                                | rpm                               | 2900      |  | Min- m <sup>3</sup> /h .8              |
| 15               |                                      |                                   |           | Head   | Nominal m                              |
| 16               | Max. working pressure                | kPa                               | 435.8     |  | at Qmax m 19.4                         |
| 17               | Head H(Q=0)                          | m                                 | 44        |  | at Qmin m 45.2                         |
| 18               | Weight                               | kg                                | On demand | Shaft power                                  | kW ( )                                 |
| 19               | Weight data include external package |                                   |           | Max. shaft power                             | kW .4                                  |
| 20               |                                      |                                   |           | Efficiency                                   | %                                      |
| 21               |                                      |                                   |           | NPSH 3%                                      | m                                      |
| Materials        |                                      |                                   |           |  |  |
| 22               |                                      | <b>Booster</b>                    |           | <b>Motor data</b>                            |  |
| 23               | Non-return valves                    | Brass                             |           | Manufacturer                                 | Lowara Electric voltage 240 V          |
| 24               | Pressure switches                    | Galvanized steel/AISI 301         |           | Specific design                              | Three phase e-SM motor                 |
| 25               | Pressure transmitters                | Stainless steel, 1.4301, AISI 304 |           | Type   | ESM80/303 HM.. Electric current 1.83 A |
| 26               | Caps/plugs/flanges                   | AISI 304 / 316                    |           | Rated power                                  | 0.37 kW Degree of protection IP 55     |
| 27               | Fittings                             | AISI 304 / 316                    |           | Speed  | 3600 rpm Insulation class F            |
| 28               |                                      |                                   |           | Frame size                                   | 80 RAL 5010                            |
| 29               |                                      |                                   |           | Weight                                       | 0 kg                                   |
| 30               |                                      |                                   |           |  |  |
| 31               |                                      |                                   |           |  |  |
| 32               |                                      |                                   |           |  |  |
| Standard options |                                      |                                   |           |  |  |
| 33               | Non return valve position            |                                   |           | Non return valve in delivery side            |  |
| 34               | Set certificate                      |                                   |           |  |  |
| 35               | Material Combination                 |                                   |           | SMB10 - Standard materials combination       |  |
| 36               | Pump Test                            |                                   |           | Set without certified pumps                  |  |
| 37               | High pressure protection             |                                   |           | Without high pressure protection on delivery |  |
| 38               | Turned Delivery Manifold             |                                   |           |  |  |
| 39               | Oversize Piping                      |                                   |           |  |  |
| 40               | Control Panel                        |                                   |           |  |  |
| 41               | Protection Against Dry Running       |                                   |           | Without protection against dry running       |  |
| 42               | Control Devices Oversized            |                                   |           | Standard                                     |  |
| 43               | Delivery Side                        |                                   |           |  |  |
| 44               | Suction side                         |                                   |           |  |  |
| 45               | Pressure Transmitter                 |                                   |           |  |  |
| 46               | Control Panel Position               |                                   |           |  |  |
| 47               | Electric Pump Special Seals          |                                   |           |  |  |
| 48               | Non-return Valve                     |                                   |           | Standard non-return valve                    |  |

**SMB10/1HME05S03/T4**

**Performance curve**

Company name  
Contact  
Phone number  
e-mail address

**Operating Data Specification**

Flow 0 m³/h  
Head 0 m  
Static head 0 m

**Hydraulic data (duty point)**

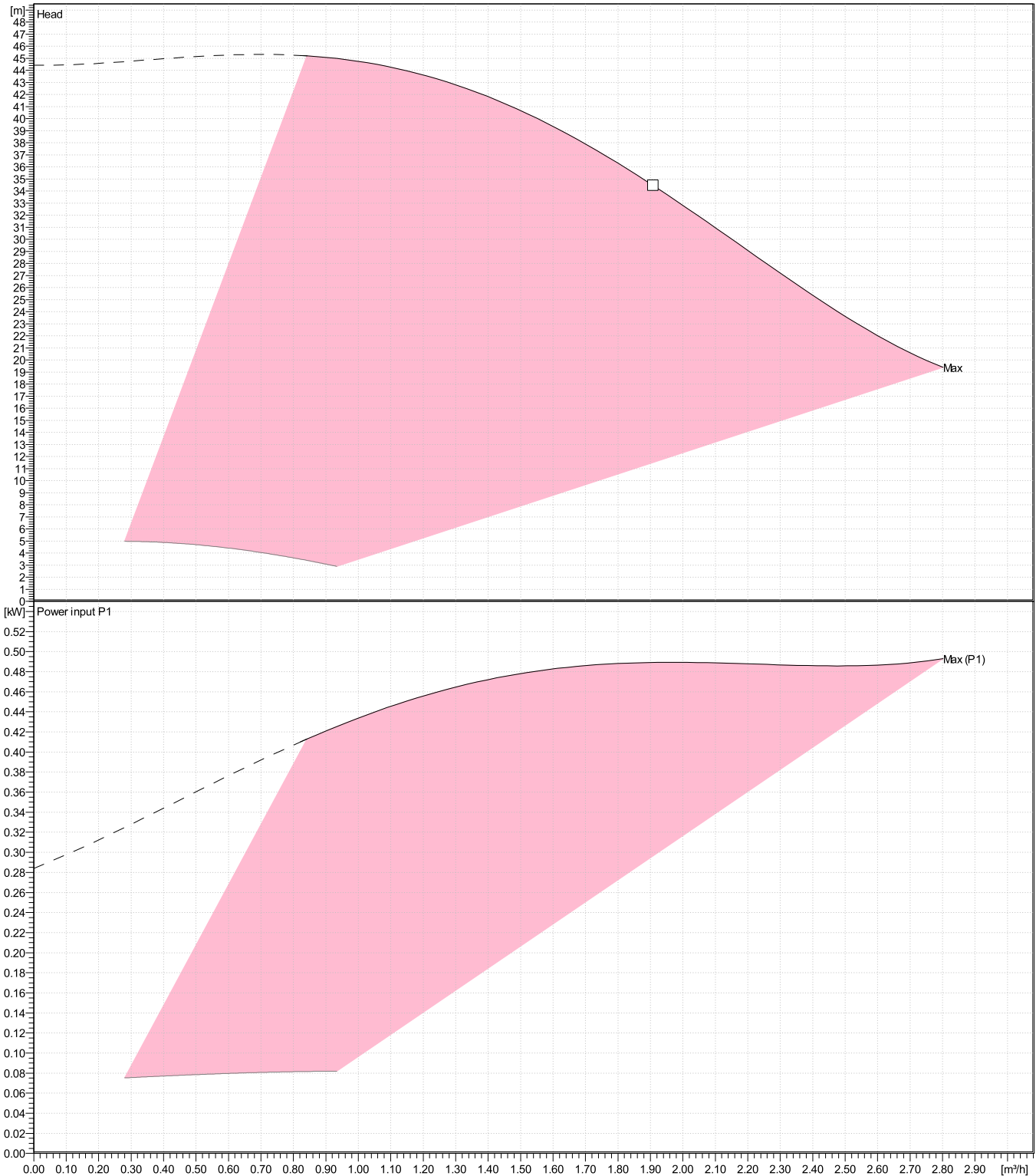
Flow  
Head

**Impeller design**

Impeller R 0 mm  
Frequency 50 Hz  
Speed 2900 rpm

**Power datas referred to:**

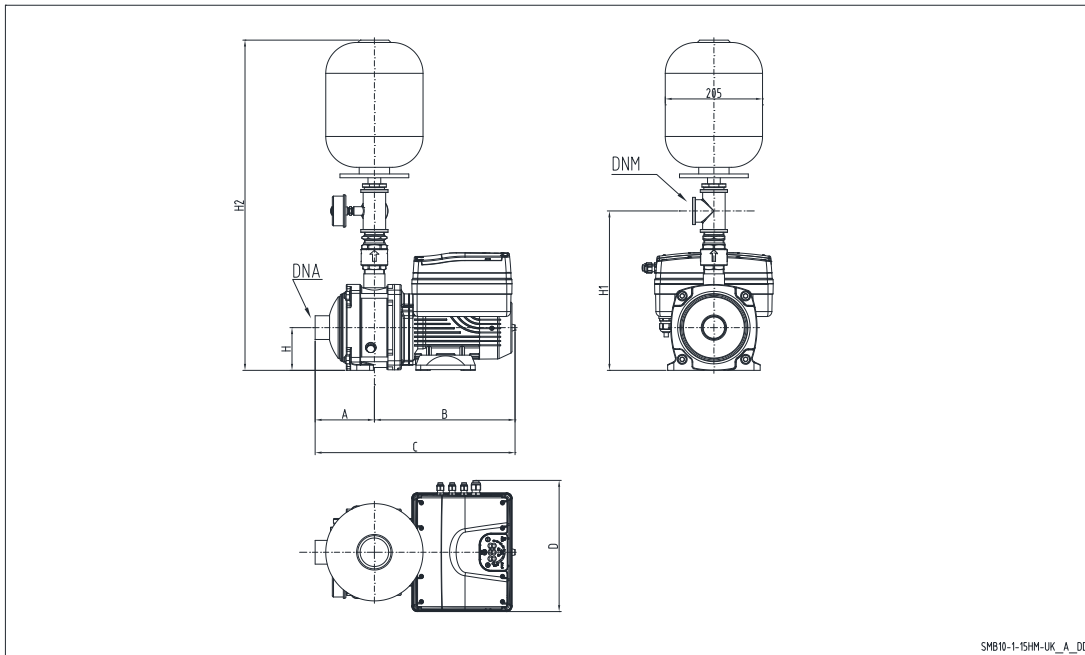
Water, pure [100%] ; 4°C; 1000kg/m³; 1.57mm²/s  
Performance according to ISO 9906:2012 – Grade 3B



**SMB10/1HME05S03/T4**

**Dimensions**

Company name  
Contact  
Phone number  
e-mail address



SMB10-1-15HM-UK\_A\_DD

**PLEASE NOTE:**

**Dimensions**

mm

|     |       |  |  |  |  |  |
|-----|-------|--|--|--|--|--|
| A   | 127   |  |  |  |  | Weight (Include external package)<br>On demand |
| B   | 287   |  |  |  |  |  |
| C   | 414   |  |  |  |  |  |
| D   | 277   |  |  |  |  |  |
| DNA | Rp 1" |  |  |  |  |  |
| DNM | Rp 1" |  |  |  |  |  |
| H   | 90    |  |  |  |  |  |
| H1  | 285   |  |  |  |  |  |
| H2  | 633   |  |  |  |  |  |

Project Xylect-20856480  
Block SMB10/1HME05S03/T4

Created by  
Created on 7/14/2023

Last update 7/14/2023