

## SMB20/15SVE01F011/T4/UK

### Technical data

Company name  
Contact  
Phone number  
e-mail address

Operating data					
1	Nominal flow	m <sup>3</sup> /h	0	Fluid	Water, pure
2	Nominal head	m	0	Operating temperature t A	°C 4
3	Static head	m	0	pH-value at t A	7
4	Inlet pressure	kPa	0	Density at t A	kg/m <sup>3</sup> 1000
5	Env ironmental temperature	°C	20	Kin. viscosity at t A	mm <sup>2</sup> /s 1.569
6	Av ailable system NPSH	m	0	Vapor pressure at t A	kPa 100
7	Solids		0	Altitude	m 0
8					
Pump data					
9	Pump designation			Impeller Ø	Max. mm
10	SMB20/15SVE01F011/T4/UK				designed mm
11	Design	Variable speed			Min. mm
12	Make			Flow	Nominal m <sup>3</sup> /h ( )
13					Max- m <sup>3</sup> /h 29
14	Speed	rpm	2900		Min- m <sup>3</sup> /h 10.2
15				Head	Nominal m
16	Max. working pressure	kPa	202.3		at Qmax m 3.2
17	Head H(Q=0)	m	21		at Qmin m 19.4
18	Weight	kg	On demand	Shaft power	kW ( )
19	Weight data include external package			Max. shaft power	kW 2.3
20				Efficiency	%
21				NPSH 3%	m
Materials					
22		Booster		Motor data	
23	Manifolds	Stainless steel, 1.4301, AISI 304		Manufacturer	Lowara
24	On-off valves	Nickel-plated brass		Specific design	Three phase e-SM motor
25	Non-return valves	Brass		Type	ESM90R/311 SVE
26	Pressure switches	Galvanized steel/AISI 301		Rated power	1.1 kW
27	Pressure transmitters	Stainless steel, 1.4301, AISI 304		Speed	3600 rpm
28	Caps/plugs/flanges	AISI 304 / 316		Frame size	90R
29	Fittings	AISI 304 / 316		Weight	0 kg
30	Bracket	Galvanized/painted steel			
31	Base	Painted steel			
32					
Standard options					
33	Non return valve position	Non return valve in delivery side			
34	Set certificate				
35	Material Combination	Standard materials combination			
36	Pump Test	Set without certified pumps			
37	High pressure protection	Without high pressure protection on delivery			
38	Turned Delivery Manifold	Standard			
39	Oversize Piping	Standard manifold			
40	Control Panel	Standard			
41	Protection Against Dry Running	Without protection against dry running			
42	Control Devices Oversized	Standard			
43	Delivery Side	Standard delivery			
44	Suction side	Standard suction			
45	Pressure Transmitter	Standard			
46	Control Panel Position	Standard position			
47	Electric Pump Special Seals	Standard			
48	Non-return Valve	Standard non-return valve			

# SMB20/15SVE01F011/T4/UK

## Performance curve

Company name  
Contact  
Phone number  
e-mail address

### Operating Data Specification

Flow 0 m<sup>3</sup>/h  
Head 0 m  
Static head 0 m

### Hydraulic data (duty point)

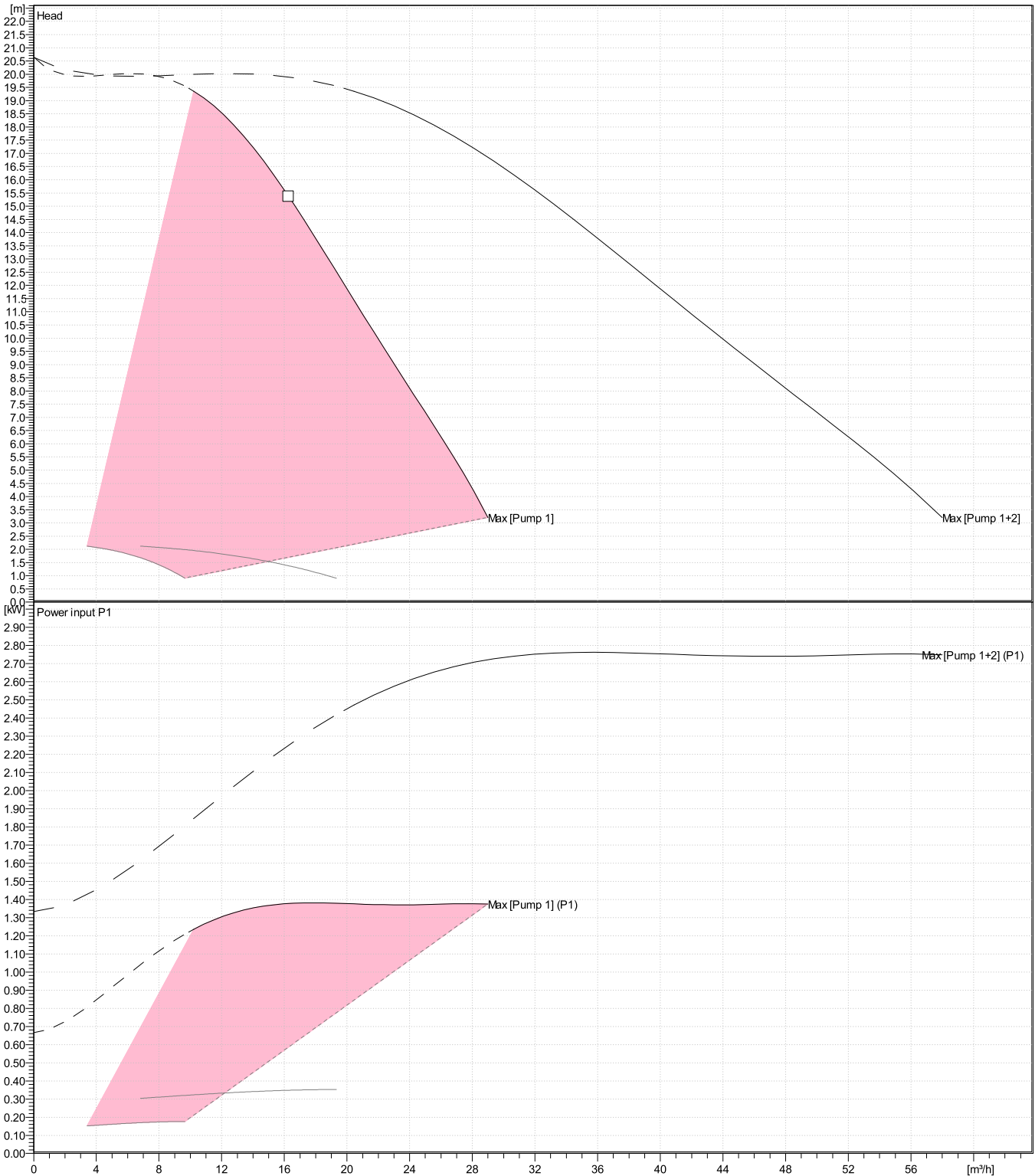
Flow  
Head

### Impeller design

Impeller R 0 mm  
Frequency 50 Hz  
Speed 2900 rpm

### Power datas referred to:

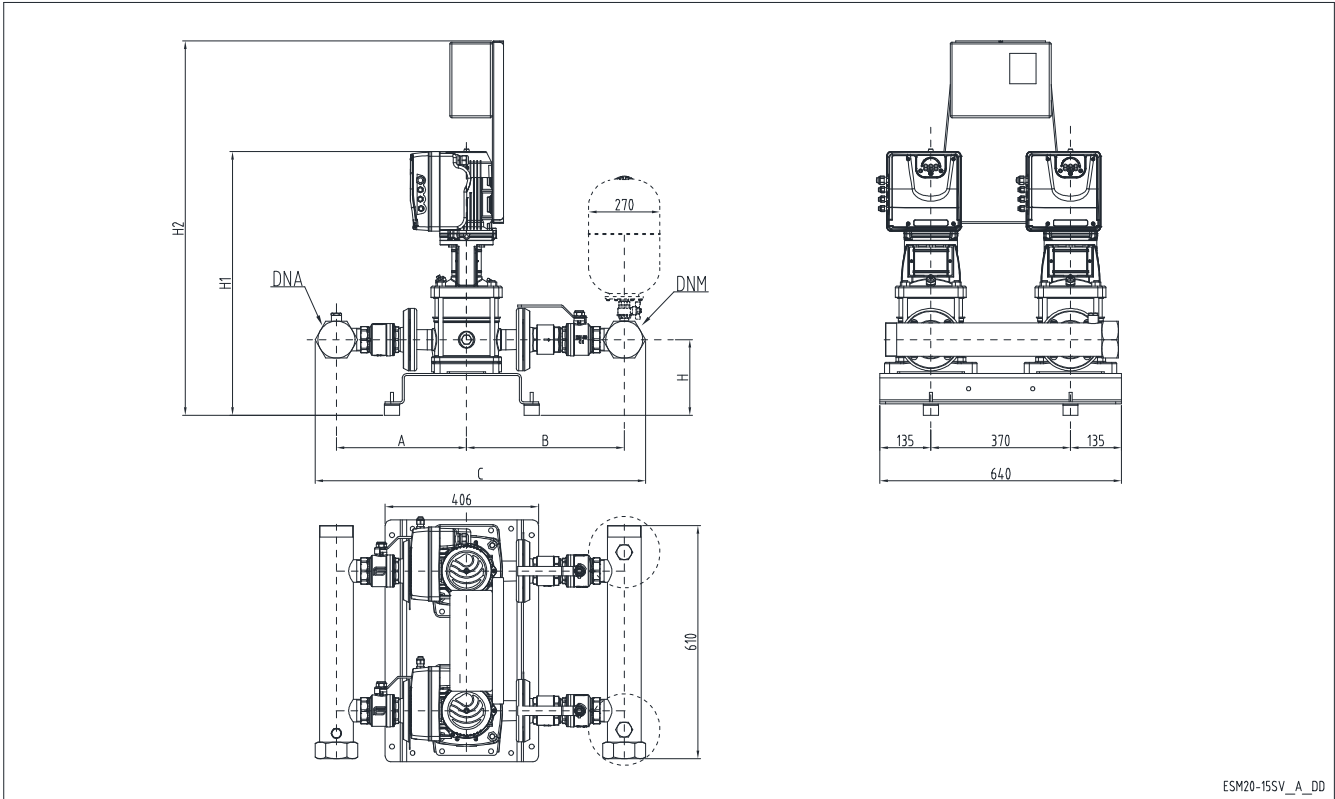
Water, pure [100%]; 4°C; 1000kg/m<sup>3</sup>; 1.57mm<sup>2</sup>/s  
Performance according to ISO 9906:2012 – Grade 3B



**SMB20/15SVE01F011/T4/UK**

**Dimensions**

Company name  
Contact  
Phone number  
e-mail address



ESM20-15SV\_A\_DD

**PLEASE NOTE:**

**Dimensions**

mm

A	345					Weight (Include external package) On demand
B	418					
C	851					
DNA	R3"					
DNM	R3"					
H	200					
H1	771					
H2	1145					

<b>Project</b>	Xylect-20864219	<b>Created by</b>		<b>Last update</b>	7/17/2023
<b>Block</b>	SMB20/15SVE01F011/T4/UK	<b>Created on</b>	7/17/2023		