

## SMB20/10SVE02F011/M2/UK

### Technical data

Company name  
Contact  
Phone number  
e-mail address

#### Operating data

|   |                           |                   |    |                           |                    |       |
|---|---------------------------|-------------------|----|---------------------------|--------------------|-------|
| 1 | Nominal flow              | m <sup>3</sup> /h | 0  | Fluid                     | Water, pure        |       |
| 2 | Nominal head              | m                 | 0  | Operating temperature t A | °C                 | 4     |
| 3 | Static head               | m                 | 0  | pH-value at t A           | 7                  |       |
| 4 | Inlet pressure            | kPa               | 0  | Density at t A            | kg/m <sup>3</sup>  | 1000  |
| 5 | Environmental temperature | °C                | 20 | Kin. viscosity at t A     | mm <sup>2</sup> /s | 1.569 |
| 6 | Available system NPSH     | m                 | 0  | Vapor pressure at t A     | kPa                | 100   |
| 7 | Solids                    |                   | 0  | Altitude                  | m                  | 0     |
| 8 |                           |                   |    |                           |                    |       |

#### Pump data

|    |                                      |                |           |                  |          |                   |      |
|----|--------------------------------------|----------------|-----------|------------------|----------|-------------------|------|
| 9  | Pump designation                     |                |           | Impeller Ø       | Max.     | mm                | 96   |
| 10 | SMB20/10SVE02F011/M2/UK              |                |           |                  | designed | mm                | 96   |
| 11 | Design                               | Variable speed |           |                  | Min.     | mm                | 96   |
| 12 | Make                                 |                |           | Flow             | Nominal  | m <sup>3</sup> /h | ( )  |
| 13 |                                      |                |           |                  | Max-     | m <sup>3</sup> /h | 17   |
| 14 | Speed                                | rpm            | 2900      |                  | Min-     | m <sup>3</sup> /h | 6.1  |
| 15 |                                      |                |           |                  | Head     | Nominal           | m    |
| 16 | Max. working pressure                | kPa            | 343.9     | at Qmax          |          | m                 | 10.9 |
| 17 | Head H(Q=0)                          | m              | 35        | at Qmin          |          | m                 | 33.4 |
| 18 | Weight                               | kg             | On demand | Shaft power      |          | kW                | ( )  |
| 19 | Weight data include external package |                |           | Max. shaft power |          | kW                | 2.3  |
| 20 |                                      |                |           | Efficiency       |          | %                 |      |
| 21 |                                      |                |           | NPSH 3%          |          | m                 |      |

#### Materials

|    |                       |                                   |  |                   |                         |                      |          |
|----|-----------------------|-----------------------------------|--|-------------------|-------------------------|----------------------|----------|
| 22 | <b>Booster</b>        |                                   |  | <b>Motor data</b> |                         |                      |          |
| 23 | Manifolds             | Stainless steel, 1.4301, AISI 304 |  | Manufacturer      | Lowara                  | Electric voltage     | 208 V    |
| 24 | On-off valves         | Nickel-plated brass               |  | Specific design   | Single phase e-SM motor |                      |          |
| 25 | Non-return valves     | Brass                             |  | Type              | ESM90R/111 SVE          | Electric current     | 8.57 A   |
| 26 | Pressure switches     | Galvanized steel/AISI 301         |  | Rated power       | 1.1 kW                  | Degree of protection | IP 55    |
| 27 | Pressure transmitters | Stainless steel, 1.4301, AISI 304 |  | Speed             | 3600 rpm                | Insulation class     | F        |
| 28 | Caps/plugs/flanges    | AISI 304 / 316                    |  | Frame size        | 90R                     |                      | RAL 5010 |
| 29 | Fittings              | AISI 304 / 316                    |  | Weight            | 0 kg                    |                      |          |
| 30 | Bracket               | Galvanized/painted steel          |  |                   |                         |                      |          |
| 31 | Base                  | Painted steel                     |  |                   |                         |                      |          |
| 32 |                       |                                   |  |                   |                         |                      |          |

#### Standard options

|    |                                |  |  |
|----|--------------------------------|--|--|
| 33 | Non return valve position      |  | Non return valve in delivery side            |
| 34 | Set certificate                |  |  |
| 35 | Material Combination           |  | Standard materials combination               |
| 36 | Pump Test                      |  | Set without certified pumps                  |
| 37 | High pressure protection       |  | Without high pressure protection on delivery |
| 38 | Turned Delivery Manifold       |  | Standard                                     |
| 39 | Oversize Piping                |  | Standard manifold                            |
| 40 | Control Panel                  |  | Standard                                     |
| 41 | Protection Against Dry Running |  | Without protection against dry running       |
| 42 | Control Devices Oversized      |  | Standard                                     |
| 43 | Delivery Side                  |  | Standard delivery                            |
| 44 | Suction side                   |  | Standard suction                             |
| 45 | Pressure Transmitter           |  | Standard                                     |
| 46 | Control Panel Position         |  | Standard position                            |
| 47 | Electric Pump Special Seals    |  | Standard                                     |
| 48 | Non-return Valve               |  | Standard non-return valve                    |

**SMB20/10SVE02F011/M2/UK**

**Performance curve**

Company name  
Contact  
Phone number  
e-mail address

**Operating Data Specification**

Flow 0 m³/h  
Head 0 m  
Static head 0 m

**Hydraulic data (duty point)**

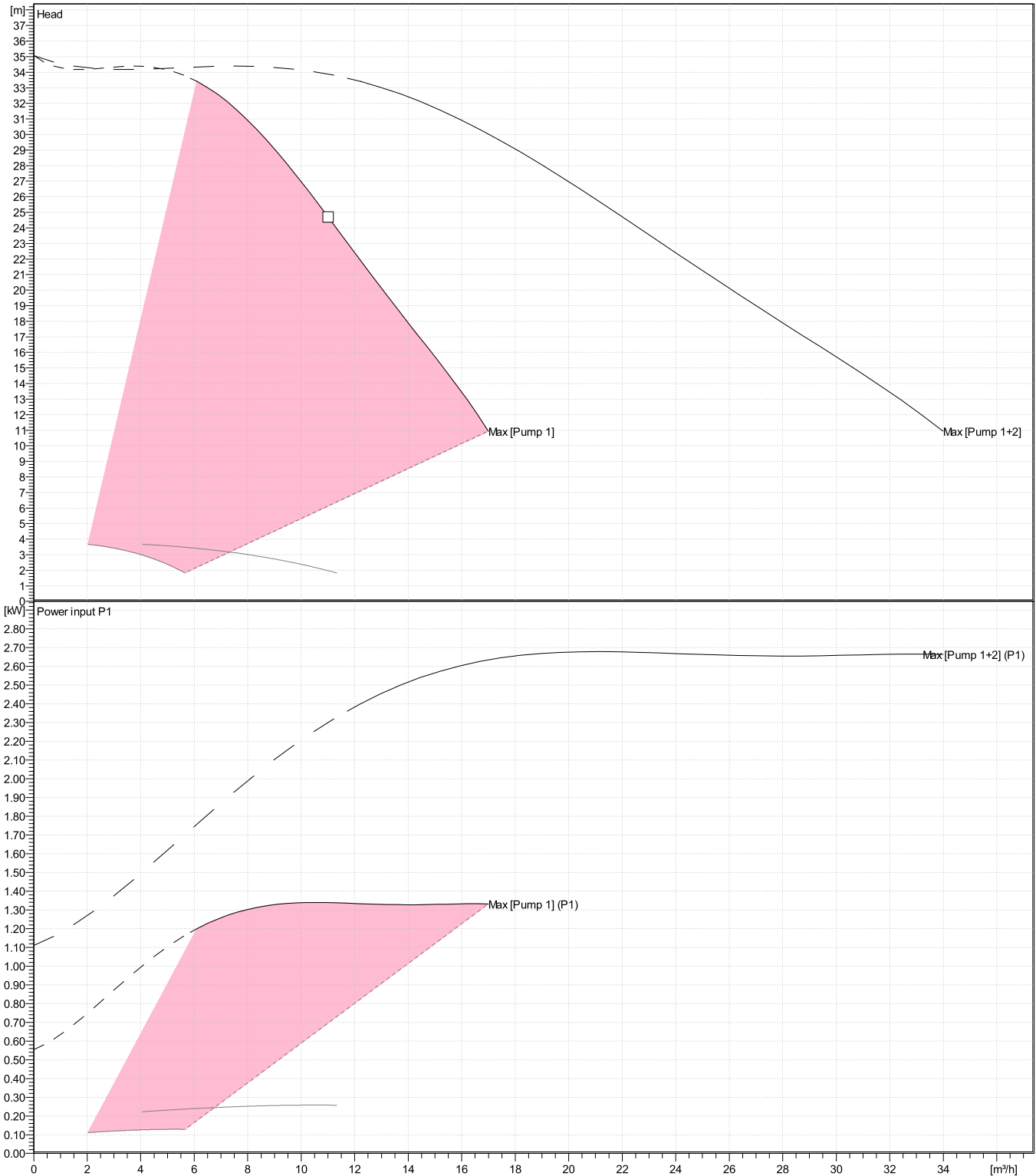
Flow  
Head

**Impeller design**

Impeller R 96 mm  
Frequency 50 Hz  
Speed 2900 rpm

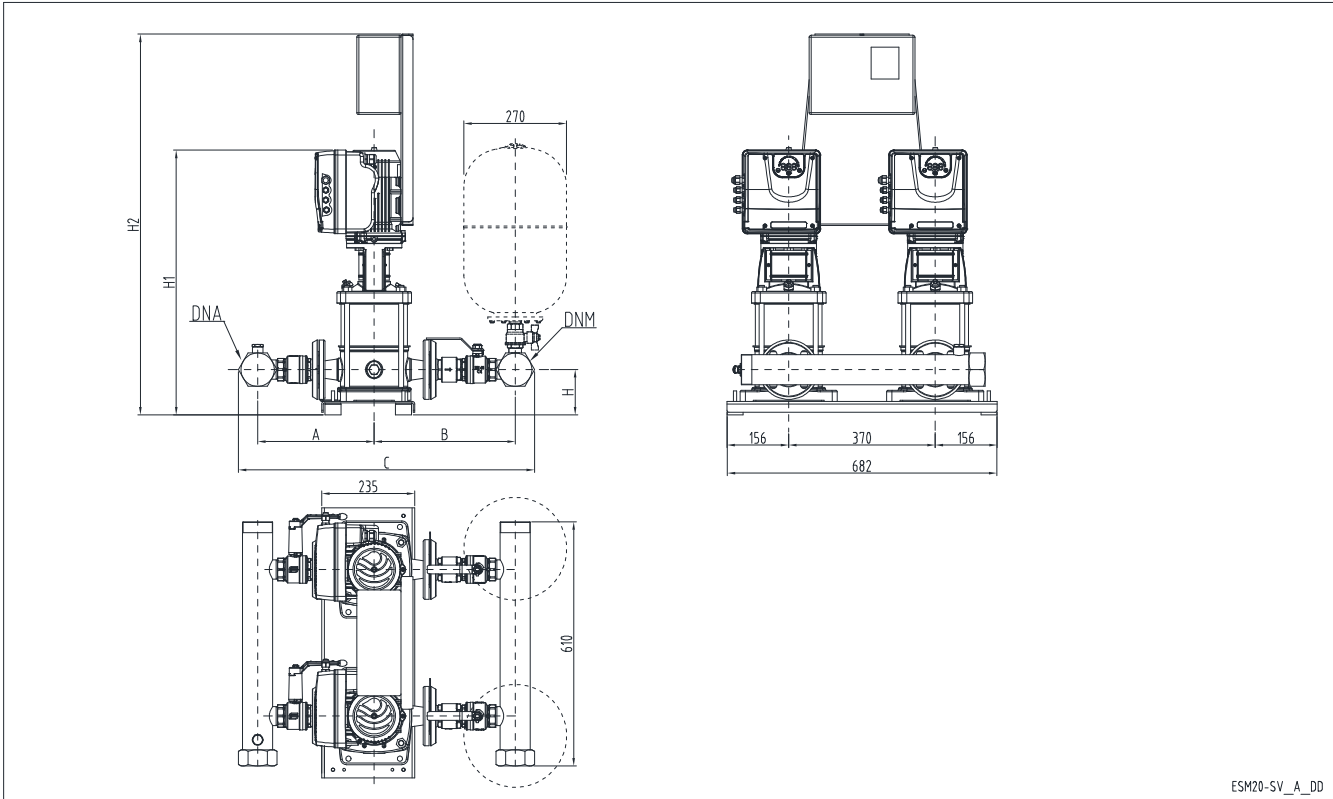
**Power datas referred to:**

Water, pure [100%] ; 4°C; 1000kg/m³; 1.57mm²/s  
Performance according to ISO 9906:2012 – Grade 3B



**Dimensions**

Company name  
Contact  
Phone number  
e-mail address



ESM20-SV\_A\_DD

**PLEASE NOTE:**

**Dimensions**

mm

|  |  |  |  |  |  |  |
|--|--|--|--|--|--|--|
|  |  |  |  |  |  | Weight (Include external package)<br>On demand |
|--|--|--|--|--|--|--|

|                |                         |                   |           |                    |           |
|----------------|-------------------------|-------------------|-----------|--------------------|-----------|
| <b>Project</b> | Xylect-20864164         | <b>Created by</b> |           | <b>Last update</b> | 7/17/2023 |
| <b>Block</b>   | SMB20/10SVE02F011/M2/UK | <b>Created on</b> | 7/17/2023 |                    |           |