

SMB20/10SVE01F005/M2/UK

Technical data

Company name
Contact
Phone number
e-mail address

Operating data					
1	Nominal flow	m ³ /h	0	Fluid	Water, pure
2	Nominal head	m	0	Operating temperature t A	°C 4
3	Static head	m	0	pH-value at t A	7
4	Inlet pressure	kPa	0	Density at t A	kg/m ³ 1000
5	Env ironmental temperature	°C	20	Kin. viscosity at t A	mm ² /s 1.569
6	Av ailable system NPSH	m	0	Vapor pressure at t A	kPa 100
7	Solids		0	Altitude	m 0
8					

Pump data						
9	Pump designation			Max.	mm	96
10	SMB20/10SVE01F005/M2/UK		Impeller Ø	designed	mm	96
11	Design	Variable speed		Min.	mm	96
12	Make			Nominal	m ³ /h	()
13				Max-	m ³ /h	17
14	Speed	rpm	2900	Min-	m ³ /h	6.1
15				Nominal	m	
16	Max. working pressure	kPa	171	at Qmax	m	3.3
17	Head H(Q=0)	m	17	at Qmin	m	16.8
18	Weight	kg	On demand	Shaft power	kW	()
19	Weight data include external package			Max. shaft power	kW	1.2
20				Efficiency	%	
21				NPSH 3%	m	

Materials		Booster		Motor data			
23	Manifolds	Stainless steel, 1.4301, AISI 304		Manufacturer	Lowara	Electric voltage	208 V
24	On-off valves	Nickel-plated brass		Specific design	Single phase e-SM motor		
25	Non-return valves	Brass		Type	ESM90R/105 SVE	Electric current	6.26 A
26	Pressure switches	Galvanized steel/AISI 301		Rated power	0.55 kW	Degree of protection	IP 55
27	Pressure transmitters	Stainless steel, 1.4301, AISI 304		Speed	3600 rpm	Insulation class	F
28	Caps/plugs/flanges	AISI 304 / 316		Frame size	90R		RAL 5010
29	Fittings	AISI 304 / 316		Weight	0 kg		
30	Bracket	Galvanized/painted steel					
31	Base	Painted steel					
32							

Standard options		
33	Non return valve position	Non return valve in delive side
34	Set certificate	
35	Material Combination	Standard materials combination
36	Pump Test	Set without certified pumps
37	High pressure protection	Without high pressure protection on delivery
38	Turned Delivery Manifold	Standard
39	Oversize Piping	Standard manifold
40	Control Panel	Standard
41	Protection Against Dry Running	Without protection against dry running
42	Control Devices Oversized	Standard
43	Delivery Side	Standard delivery
44	Suction side	Standard suction
45	Pressure Transmitter	Standard
46	Control Panel Position	Standard position
47	Electric Pump Special Seals	Standard
48	Non-return Valve	Standard non-return valve

SMB20/10SVE01F005/M2/UK

Performance curve

Company name
Contact
Phone number
e-mail address

Operating Data Specification

Flow 0 m³/h
Head 0 m
Static head 0 m

Hydraulic data (duty point)

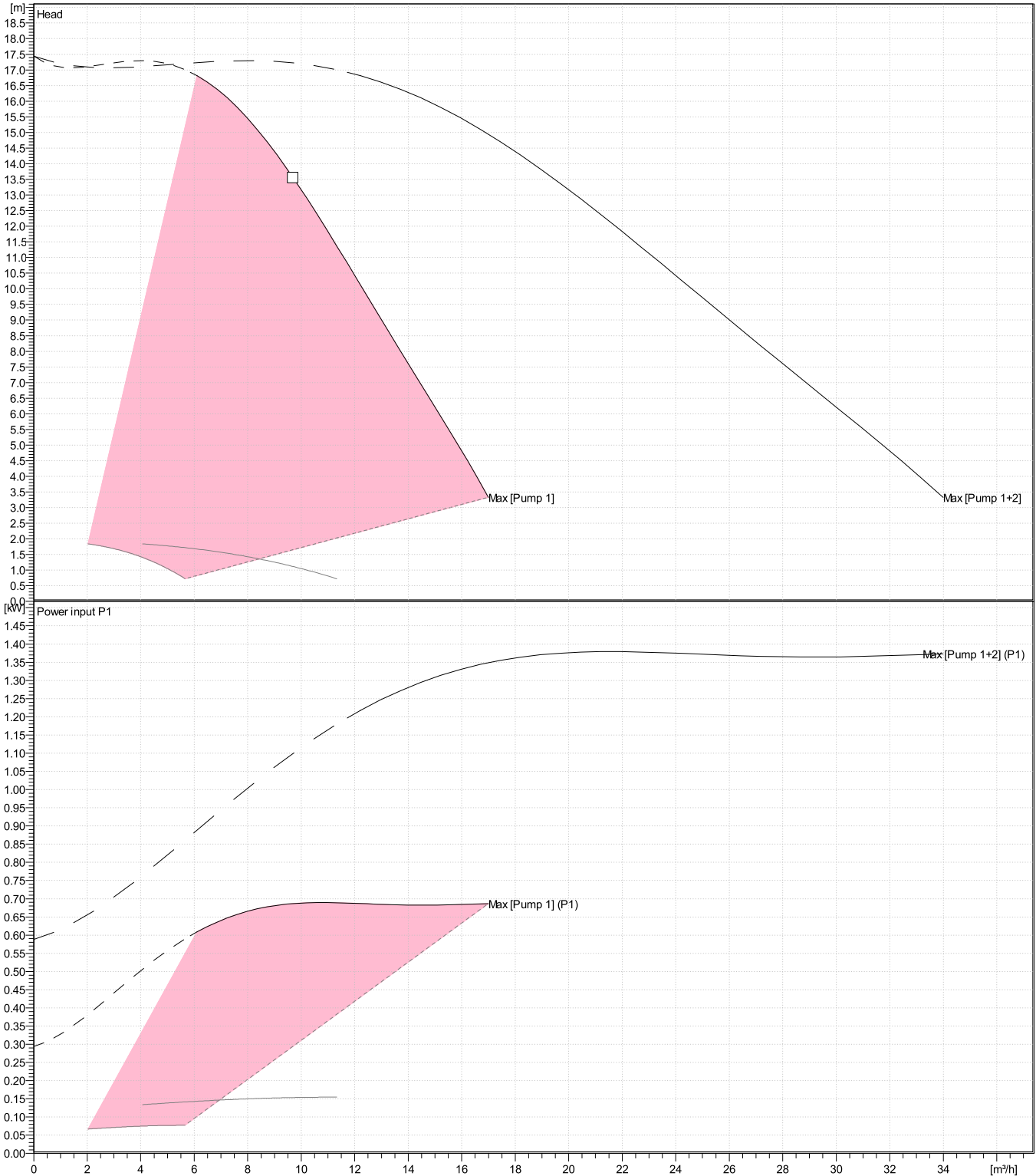
Flow
Head

Impeller design

Impeller R 96 mm
Frequency 50 Hz
Speed 2900 rpm

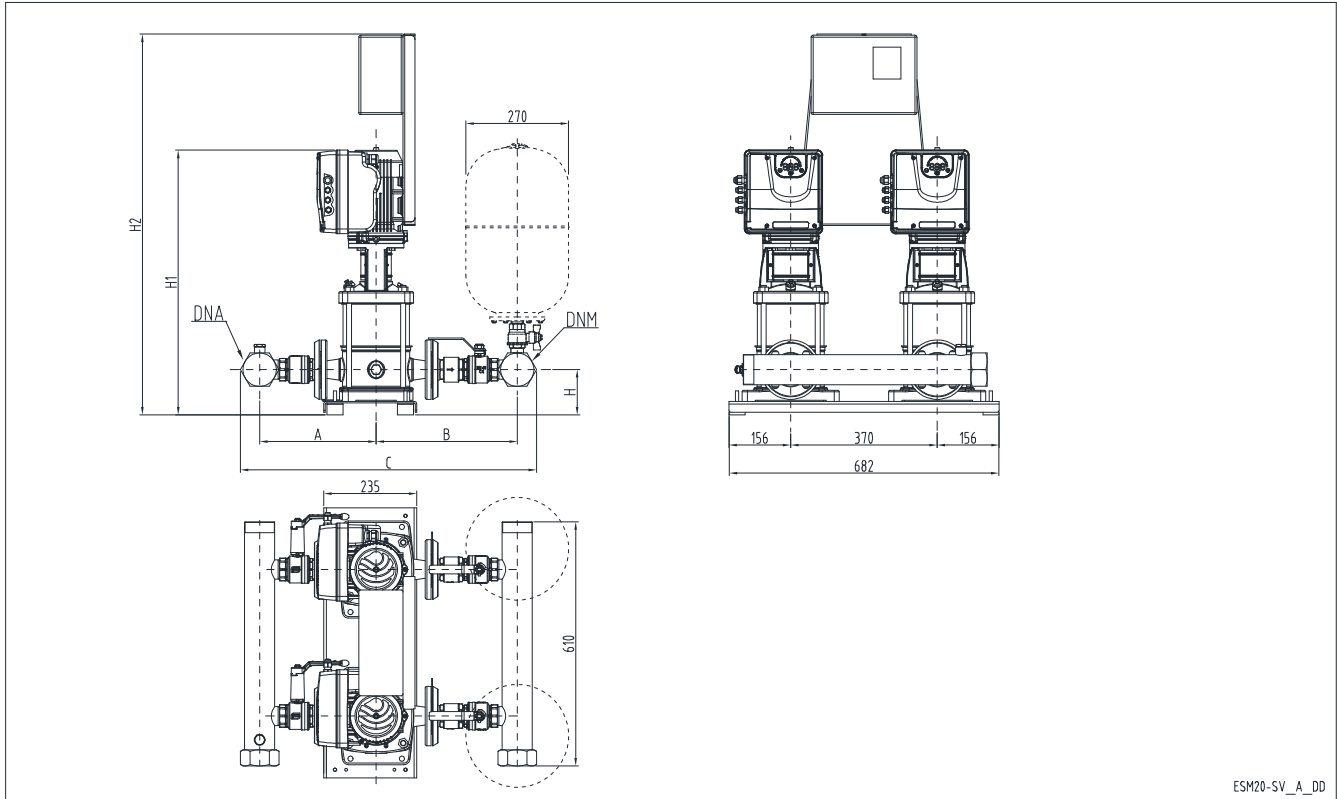
Power datas referred to:

Water, pure [100%]; 4°C; 1000kg/m³; 1.57mm²/s
Performance according to ISO 9906:2012 – Grade 3B



Dimensions

Company name
Contact
Phone number
e-mail address



ESM20-SV_A_DD

PLEASE NOTE:

Dimensions

mm

A	294					Weight (Include external package) On demand
B	356					
C	726					
DNA	R2"1/2					
DNM	R2"1/2					
H	114					
H1	643					
H2	1017					

Project	Xylect-20864164	Created by		Last update	7/17/2023
Block	SMB20/10SVE01F005/M2/UK	Created on	7/17/2023		