

## SMB20/5SVE06F011/M2/UK

### Technical data

Company name  
Contact  
Phone number  
e-mail address

Operating data									
1	Nominal flow	m <sup>3</sup> /h	0	Fluid		Water, pure			
2	Nominal head	m	0	Operating temperature t A	°C	4			
3	Static head	m	0	pH-value at t A		7			
4	Inlet pressure	kPa	0	Density at t A	kg/m <sup>3</sup>	1000			
5	Environmental temperature	°C	20	Kin. viscosity at t A	mm <sup>2</sup> /s	1.569			
6	Available system NPSH	m	0	Vapor pressure at t A	kPa	100			
7	Solids		0	Altitude	m	0			
8									
Pump data									
9	Pump designation			Impeller Ø	Max.	mm	76		
10	SMB20/5SVE06F011/M2/UK				designed	mm	76		
11	Design	Variable speed			Min.	mm	76		
12	Make			Flow	Nominal	m <sup>3</sup> /h	( )		
13					Max-	m <sup>3</sup> /h	10		
14	Speed	rpm	2900		Min-	m <sup>3</sup> /h	3.1		
15				Head	Nominal	m			
16	Max. working pressure	kPa	657.8		at Qmax	m	18.4		
17	Head H(Q=0)	m	67		at Qmin	m	64.9		
18	Weight	kg	On demand	Shaft power	kW	( )			
19	Weight data include external package			Max. shaft power	kW	2.3			
20				Efficiency	%				
21				NPSH 3%	m				
Materials									
22			<b>Booster</b>					<b>Motor data</b>	
23	Manifolds		Stainless steel, 1.4301, AISI 304	Manufacturer	Lowara	Electric voltage	208 V		
24	On-off valves		Nickel-plated brass	Specific design	Single phase e-SM motor				
25	Non-return valves		Brass	Type	ESM90R/111 SVE	Electric current	8.57 A		
26	Pressure switches		Galvanized steel/AISI 301	Rated power	1.1 kW	Degree of protection	IP 55		
27	Pressure transmitters		Stainless steel, 1.4301, AISI 304	Speed	3600 rpm	Insulation class	F		
28	Caps/plugs/flanges		AISI 304 / 316	Frame size	90R				RAL 5010
29	Fittings		AISI 304 / 316	Weight	0 kg				
30	Bracket		Galvanized/painted steel						
31	Base		Painted steel						
32									
Standard options									
33	Non return valve position			Non return valve in delivery side					
34	Set certificate								
35	Material Combination			Standard materials combination					
36	Pump Test			Set without certified pumps					
37	High pressure protection			Without high pressure protection on delivery					
38	Turned Delivery Manifold			Standard					
39	Oversize Piping			Standard manifold					
40	Control Panel			Standard					
41	Protection Against Dry Running			Without protection against dry running					
42	Control Devices Oversized			Standard					
43	Delivery Side			Standard delivery					
44	Suction side			Standard suction					
45	Pressure Transmitter			Standard					
46	Control Panel Position			Standard position					
47	Electric Pump Special Seals			Standard					
48	Non-return Valve			Standard non-return valve					

**SMB20/5SVE06F011/M2/UK**

**Performance curve**

Company name  
Contact  
Phone number  
e-mail address

**Operating Data Specification**

Flow 0 m<sup>3</sup>/h  
Head 0 m  
Static head 0 m

**Hydraulic data (duty point)**

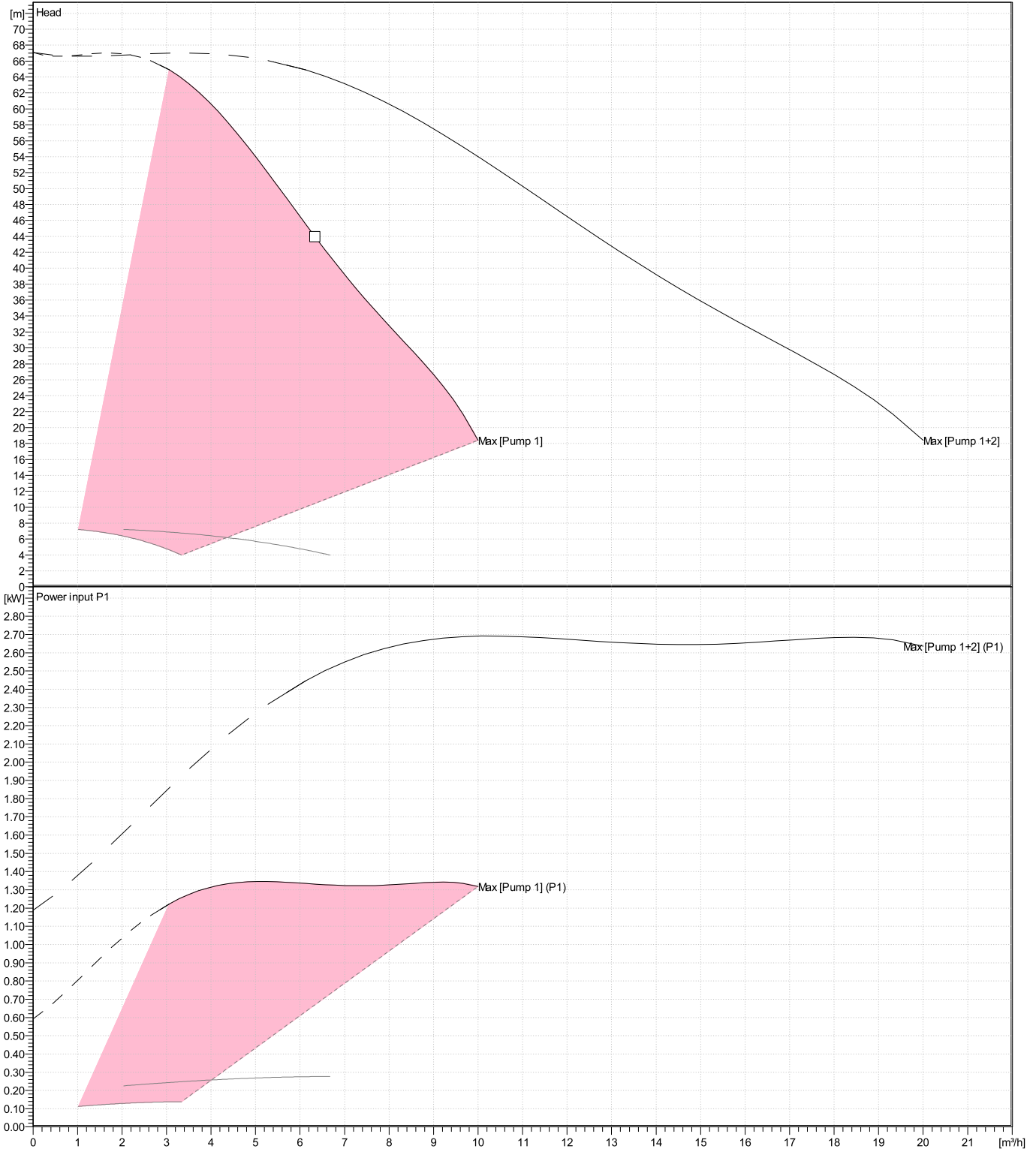
Flow  
Head

**Impeller design**

Impeller R 76 mm  
Frequency 50 Hz  
Speed 2900 rpm

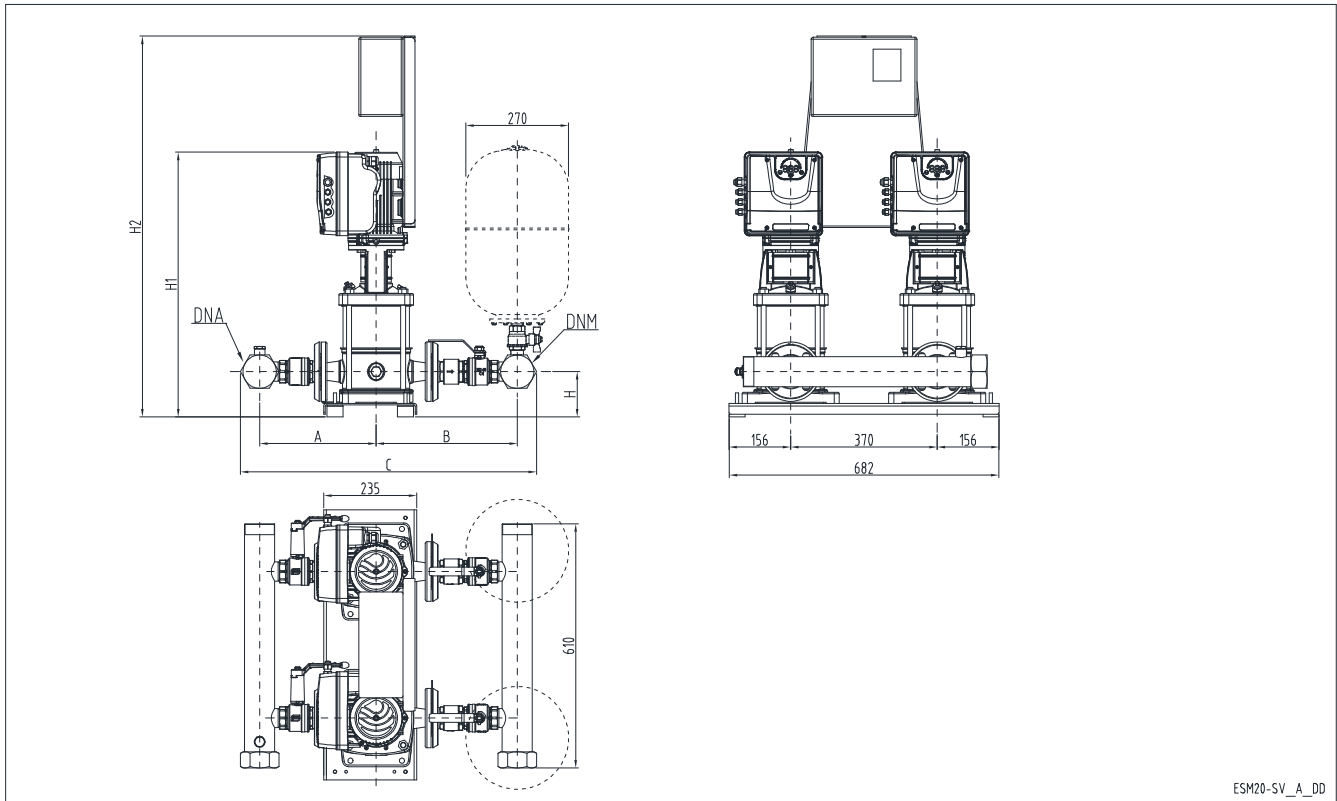
**Power datas referred to:**

Water, pure [100%]; 4°C; 1000kg/m<sup>3</sup>; 1.57mm<sup>2</sup>/s  
Performance according to ISO 9906:2012 – Grade 3B



**Dimensions**

Company name  
Contact  
Phone number  
e-mail address



**PLEASE NOTE:**

**Dimensions**

mm

A	260					Weight (Include external package) On demand
B	329					
C	649					
DNA	R2"					
DNM	R2"					
H	109					
H1	664					
H2	1038					

<b>Project</b>	Xylect-20864099	<b>Created by</b>		<b>Last update</b>	7/17/2023
<b>Block</b>	SMB20/5SVE06F011/M2/UK	<b>Created on</b>	7/17/2023		