

SMB20/3SVE07F007/M2/UK

Technical data

Company name
Contact
Phone number
e-mail address

Operating data							
1	Nominal flow	m ³ /h	0	Fluid		Water, pure	
2	Nominal head	m	0	Operating temperature t A	°C	4	
3	Static head	m	0	pH-value at t A		7	
4	Inlet pressure	kPa	0	Density at t A	kg/m ³	1000	
5	Env ironmental temperature	°C	20	Kin. viscosity at t A	mm ² /s	1.569	
6	Av ailable system NPSH	m	0	Vapor pressure at t A	kPa	100	
7	Solids		0	Altitude	m	0	
8							
Pump data							
9	Pump designation			Impeller Ø	Max.	mm	79
10	SMB20/3SVE07F007/M2/UK				designed	mm	79
11	Design	Variable speed			Min.	mm	79
12	Make			Flow	Nominal	m ³ /h	()
13					Max-	m ³ /h	5.2
14	Speed	rpm	2900		Min-	m ³ /h	1.4
15				Head	Nominal	m	
16	Max. working pressure	kPa	756.7		at Qmax	m	17.8
17	Head H(Q=0)	m	77		at Qmin	m	77.2
18	Weight	kg	On demand	Shaft power		kW	()
19	Weight data include external package			Max. shaft power		kW	1.6
20				Efficiency		%	
21				NPSH 3%		m	
Materials							
22		Booster		Motor data			
23	Manifolds	Stainless steel, 1.4301, AISI 304		Manufacturer	Lowara	Electric voltage	208 V
24	On-off valves	Nickel-plated brass		Specific design	Single phase e-SM motor		
25	Non-return valves	Brass		Type	ESM90R/107 SVE	Electric current	6.2 A
26	Pressure switches	Galvanized steel/AISI 301		Rated power	0.75 kW	Degree of protection	IP 55
27	Pressure transmitters	Stainless steel, 1.4301, AISI 304		Speed	3600 rpm	Insulation class	F
28	Caps/plugs/flanges	AISI 304 / 316		Frame size	90R		RAL 5010
29	Fittings	AISI 304 / 316		Weight	0 kg		
30	Bracket	Galvanized/painted steel					
31	Base	Painted steel					
32							
Standard options							
33	Non return valve position			Non return valve in delive side			
34	Set certificate						
35	Material Combination			Standard materials combination			
36	Pump Test			Set without certified pumps			
37	High pressure protection			Without high pressure protection on delivery			
38	Turned Delivery Manifold			Standard			
39	Oversize Piping			Standard manifold			
40	Control Panel			Standard			
41	Protection Against Dry Running			Without protection against dry running			
42	Control Devices Oversized			Standard			
43	Delivery Side			Standard delivery			
44	Suction side			Standard suction			
45	Pressure Transmitter			Standard			
46	Control Panel Position			Standard position			
47	Electric Pump Special Seals			Standard			
48	Non-return Valve			Standard non-return valve			

SMB20/3SVE07F007/M2/UK

Performance curve

Company name
Contact
Phone number
e-mail address

Operating Data Specification

Flow 0 m³/h
Head 0 m
Static head 0 m

Hydraulic data (duty point)

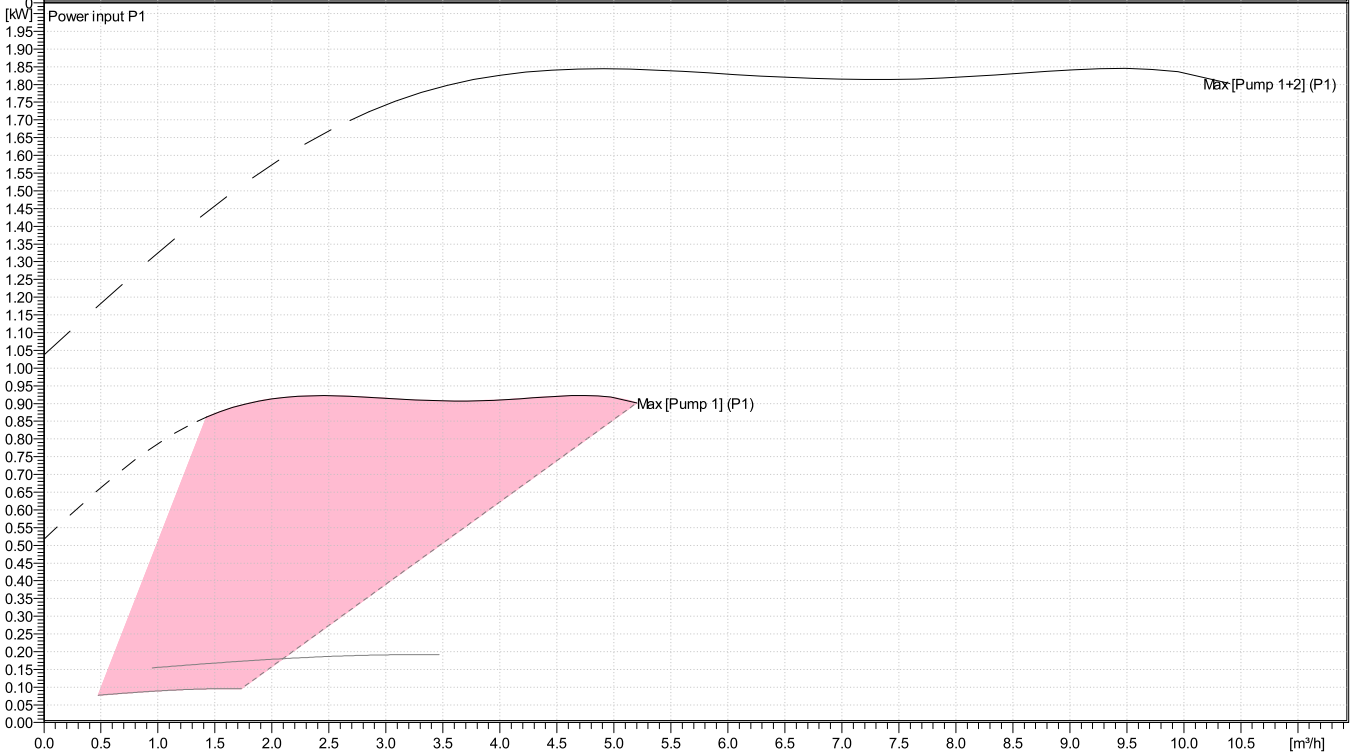
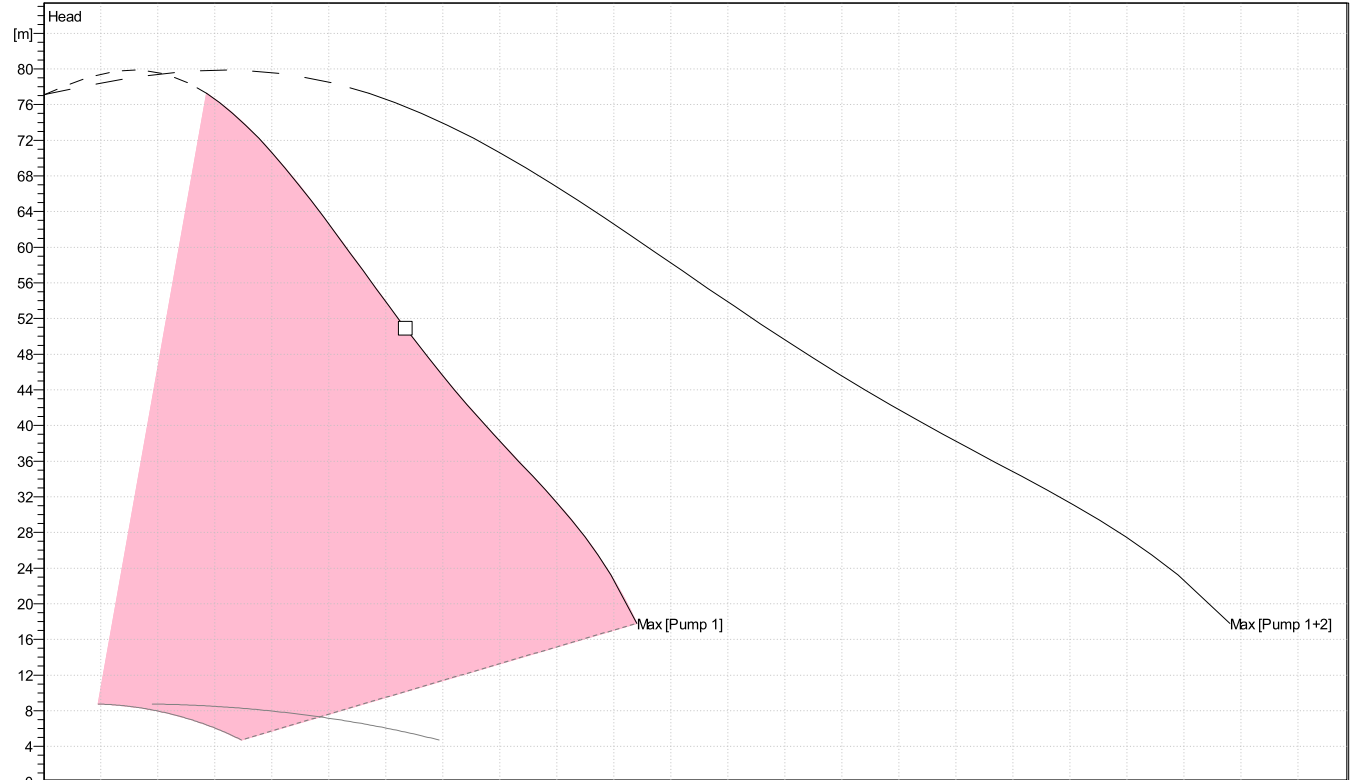
Flow
Head

Impeller design

Impeller R 79 mm
Frequency 50 Hz
Speed 2900 rpm

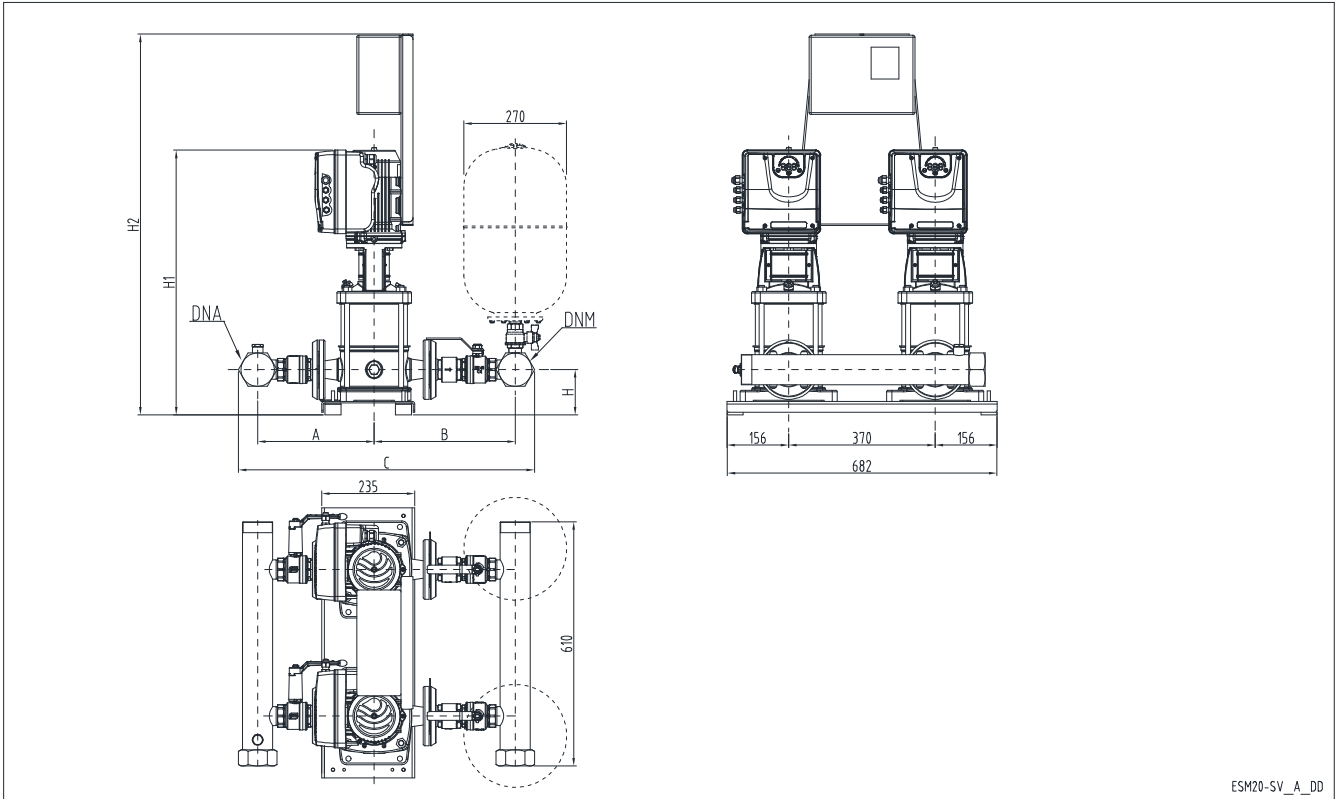
Power datas referred to:

Water, pure [100%] ; 4°C; 1000kg/m³; 1.57mm²/s
Performance according to ISO 9906:2012 – Grade 3B



Dimensions

Company name
Contact
Phone number
e-mail address



ESM20-SV_A_DD

PLEASE NOTE:

Dimensions

mm

A	256					Weight (Include external package) On demand
B	311					
C	627					
DNA	R2"					
DNM	R2"					
H	109					
H1	654					
H2	1028					

Project	Xylect-20864013	Created by		Last update	7/17/2023
Block	SMB20/3SVE07F007/M2/UK	Created on	7/17/2023		