

SMB20/1SVE15F011/T4/UK

Technical data

Company name
Contact
Phone number
e-mail address

Operating data							
1	Nominal flow	m ³ /h	0	Fluid	Water, pure		
2	Nominal head	m	0	Operating temperature t A	°C 4		
3	Static head	m	0	pH-value at t A	7		
4	Inlet pressure	kPa	0	Density at t A	kg/m ³ 1000		
5	Env ironmental temperature	°C	20	Kin. viscosity at t A	mm ² /s 1.569		
6	Av ailable system NPSH	m	0	Vapor pressure at t A	kPa 100		
7	Solids		0	Altitude	m 0		
8							
Pump data							
9	Pump designation			Impeller Ø	Max.	mm	
10	SMB20/1SVE15F011/T4/UK				designed	mm	
11	Design	Variable speed			Min.	mm	
12	Make				Flow	Nominal	m ³ /h ()
13						Max-	m ³ /h 2.8
14	Speed	rpm	2900	Min-		m ³ /h .8	
15					Head	Nominal	m
16	Max. working pressure	kPa	1325.5	at Qmax		m 61.9	
17	Head H(Q=0)	m	140	at Qmin		m 136.8	
18	Weight	kg	On demand	Shaft power	kW ()		
19	Weight data include external package				Max. shaft power	kW 2.3	
20					Efficiency	%	
21					NPSH 3%	m	
Materials							
22		Booster		Motor data			
23	Manifolds	Stainless steel, 1.4301, AISI 304		Manufacturer	Lowara	Electric voltage	240 V
24	On-off valves	Nickel-plated brass		Specific design	Three phase e-SM motor		
25	Non-return valves	Brass		Type	ESM90R/311 SVE	Electric current	4.69 A
26	Pressure switches	Galvanized steel/AISI 301		Rated power	1.1 kW	Degree of protection	IP 55
27	Pressure transmitters	Stainless steel, 1.4301, AISI 304		Speed	3600 rpm	Insulation class	F
28	Caps/plugs/flanges	AISI 304 / 316		Frame size	90R		RAL 5010
29	Fittings	AISI 304 / 316		Weight	0 kg		
30	Bracket	Galvanized/painted steel					
31	Base	Painted steel					
32							
Standard options							
33	Non return valve position	Non return valve in delivery side					
34	Set certificate						
35	Material Combination	Standard materials combination					
36	Pump Test	Set without certified pumps					
37	High pressure protection	Without high pressure protection on delivery					
38	Turned Delivery Manifold	Standard					
39	Oversize Piping	Standard manifold					
40	Control Panel	Standard					
41	Protection Against Dry Running	Without protection against dry running					
42	Control Devices Oversized	Standard					
43	Delivery Side	Standard delivery					
44	Suction side	Standard suction					
45	Pressure Transmitter	Standard					
46	Control Panel Position	Standard position					
47	Electric Pump Special Seals	Standard					
48	Non-return Valve	Standard non-return valve					

SMB20/1SVE15F011/T4/UK

Performance curve

Company name
Contact
Phone number
e-mail address

Operating Data Specification

Flow 0 m³/h
Head 0 m
Static head 0 m

Hydraulic data (duty point)

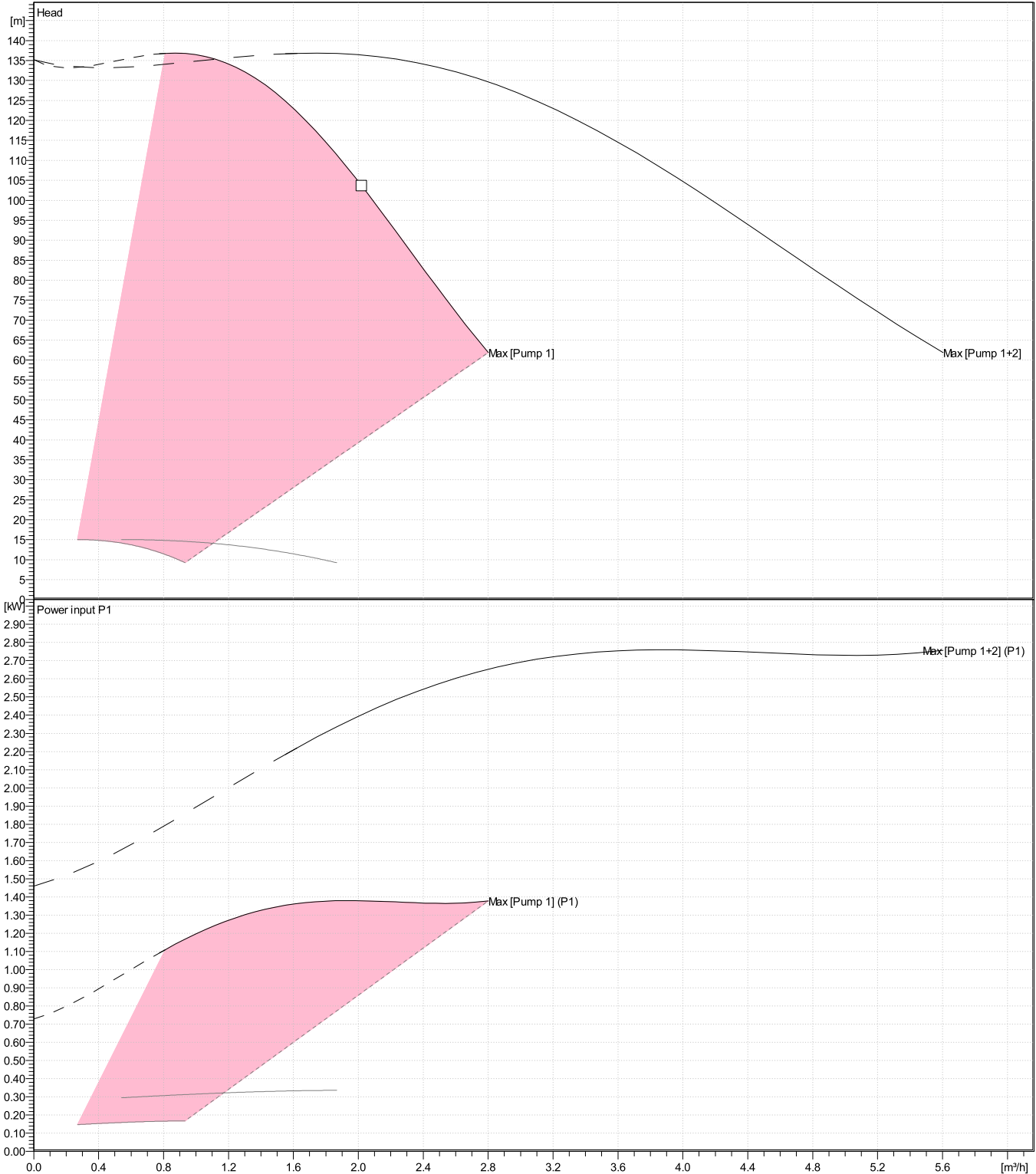
Flow
Head

Impeller design

Impeller R 0 mm
Frequency 50 Hz
Speed 2900 rpm

Power datas referred to:

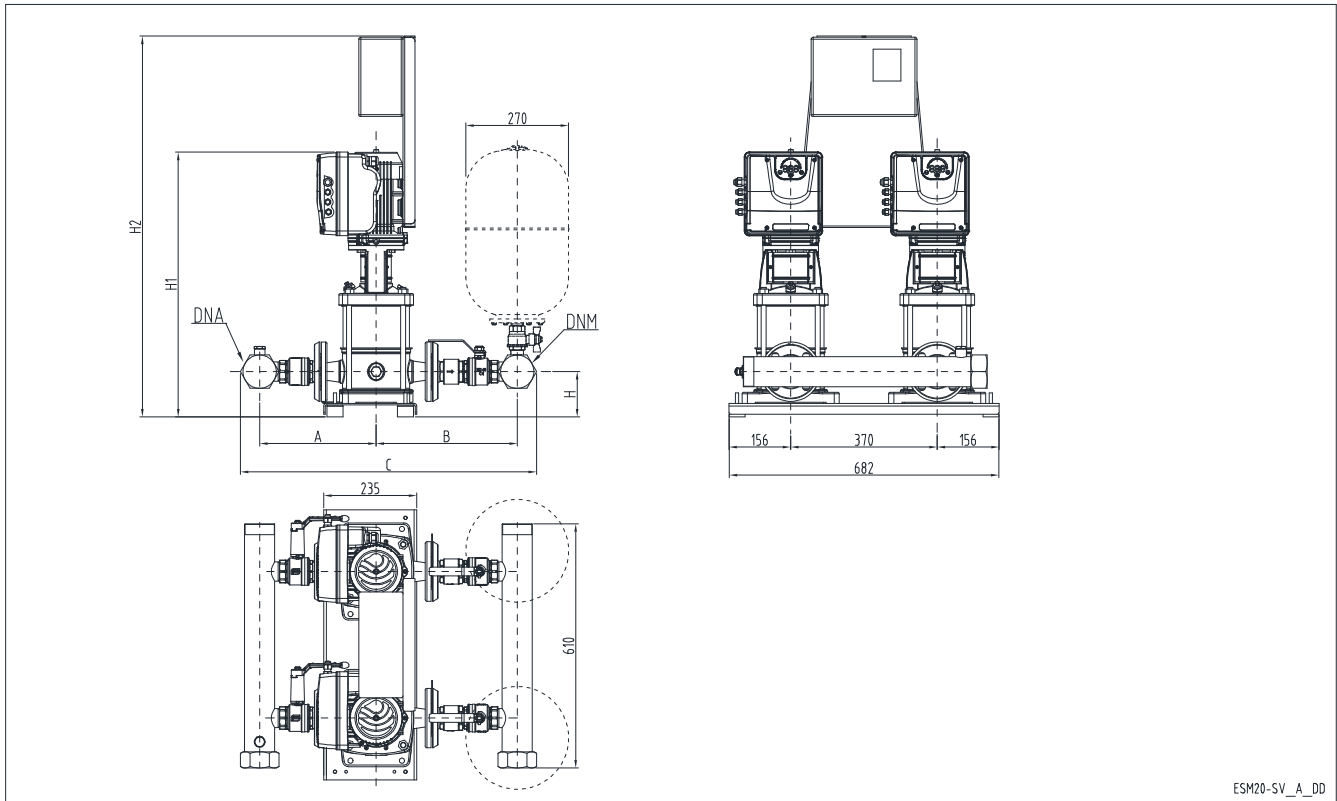
Water, pure [100%] ; 4°C; 1000kg/m³; 1.57mm²/s
Performance according to ISO 9906:2012 – Grade 3B



SMB20/1SVE15F011/T4/UK

Dimensions

Company name
Contact
Phone number
e-mail address



ESM20-SV_A_DD

PLEASE NOTE:

Dimensions

mm

A	256					Weight (Include external package) On demand
B	311					
C	627					
DNA	R2"					
DNM	R2"					
H	109					
H1	814					
H2	1188					

Project	Xylect-20863944	Created by		Last update	7/17/2023
Block	SMB20/1SVE15F011/T4/UK	Created on	7/17/2023		