

SMB20/3HME05S05/M2/UK

Technical data

Company name
Contact
Phone number
e-mail address

| Operating data | | | | | |
|------------------|--------------------------------------|-----------------------------------|-----------|--|-------------------------------------|
| 1 | Nominal flow | m ³ /h | 0 | Fluid | Water, pure |
| 2 | Nominal head | m | 0 | Operating temperature t A | °C 4 |
| 3 | Static head | m | 0 | pH-value at t A | 7 |
| 4 | Inlet pressure | kPa | 0 | Density at t A | kg/m ³ 1000 |
| 5 | Env ironmental temperature | °C | 20 | Kin. viscosity at t A | mm ² /s 1.569 |
| 6 | Av ailable system NPSH | m | 0 | Vapor pressure at t A | kPa 100 |
| 7 | Solids | | 0 | Altitude | m 0 |
| 8 | | | | | |
| Pump data | | | | | |
| 9 | Pump designation | | | Max. | mm 73 |
| 10 | SMB20/3HME05S05/M2/UK | | | designed | mm 73 |
| 11 | Design | Variable speed | | Min. | mm 73 |
| 12 | Make | | | Nominal | m ³ /h () |
| 13 | | | | Max- | m ³ /h 5.2 |
| 14 | Speed | rpm | 2900 | Min- | m ³ /h 1.4 |
| 15 | | | | Nominal | m |
| 16 | Max. working pressure | kPa | 542.8 | at Qmax | m 15.2 |
| 17 | Head H(Q=0) | m | 55 | at Qmin | m 56.2 |
| 18 | Weight | kg | On demand | Shaft power | kW () |
| 19 | Weight data include external package | | | Max. shaft power | kW 1.1 |
| 20 | | | | Efficiency | % |
| 21 | | | | NPSH 3% | m |
| Materials | | | | | |
| 22 | | Booster | | Motor data | |
| 23 | Manifolds | Stainless steel, 1.4301, AISI 304 | | Manufacturer | Lowara Electric voltage 208 V |
| 24 | On-off valves | Nickel-plated brass | | Specific design | Single phase e-SM motor |
| 25 | Non-return valves | Brass | | Type | ESM80/105 HM Electric current 2.3 A |
| 26 | Pressure switches | Galvanized steel/AISI 301 | | Rated power | 0.55 kW Degree of protection IP 55 |
| 27 | Pressure transmitters | Stainless steel, 1.4301, AISI 304 | | Speed | 3600 rpm Insulation class F |
| 28 | Caps/plugs/flanges | AISI 304 / 316 | | Frame size | 80 RAL 5010 |
| 29 | Fittings | AISI 304 / 316 | | Weight | 0 kg |
| 30 | Bracket | Galvanized/painted steel | | | |
| 31 | Base | Painted steel | | | |
| 32 | | | | | |
| Standard options | | | | | |
| 33 | Non return valve position | | | Non return valve in delive side | |
| 34 | Set certificate | | | | |
| 35 | Material Combination | | | Standard materials combination | |
| 36 | Pump Test | | | Set without certified pumps | |
| 37 | High pressure protection | | | Without high pressure protection on delivery | |
| 38 | Turned Delivery Manifold | | | Standard | |
| 39 | Oversize Piping | | | Standard manifold | |
| 40 | Control Panel | | | Standard | |
| 41 | Protection Against Dry Running | | | Without protection against dry running | |
| 42 | Control Devices Oversized | | | Standard | |
| 43 | Delivery Side | | | Standard delivery | |
| 44 | Suction side | | | Standard suction | |
| 45 | Pressure Transmitter | | | Standard | |
| 46 | Control Panel Position | | | Standard position | |
| 47 | Electric Pump Special Seals | | | Standard | |
| 48 | Non-return Valve | | | Standard non-return valve | |

SMB20/3HME05S05/M2/UK

Performance curve

Company name
Contact
Phone number
e-mail address

Operating Data Specification

Flow 0 m³/h
Head 0 m
Static head 0 m

Hydraulic data (duty point)

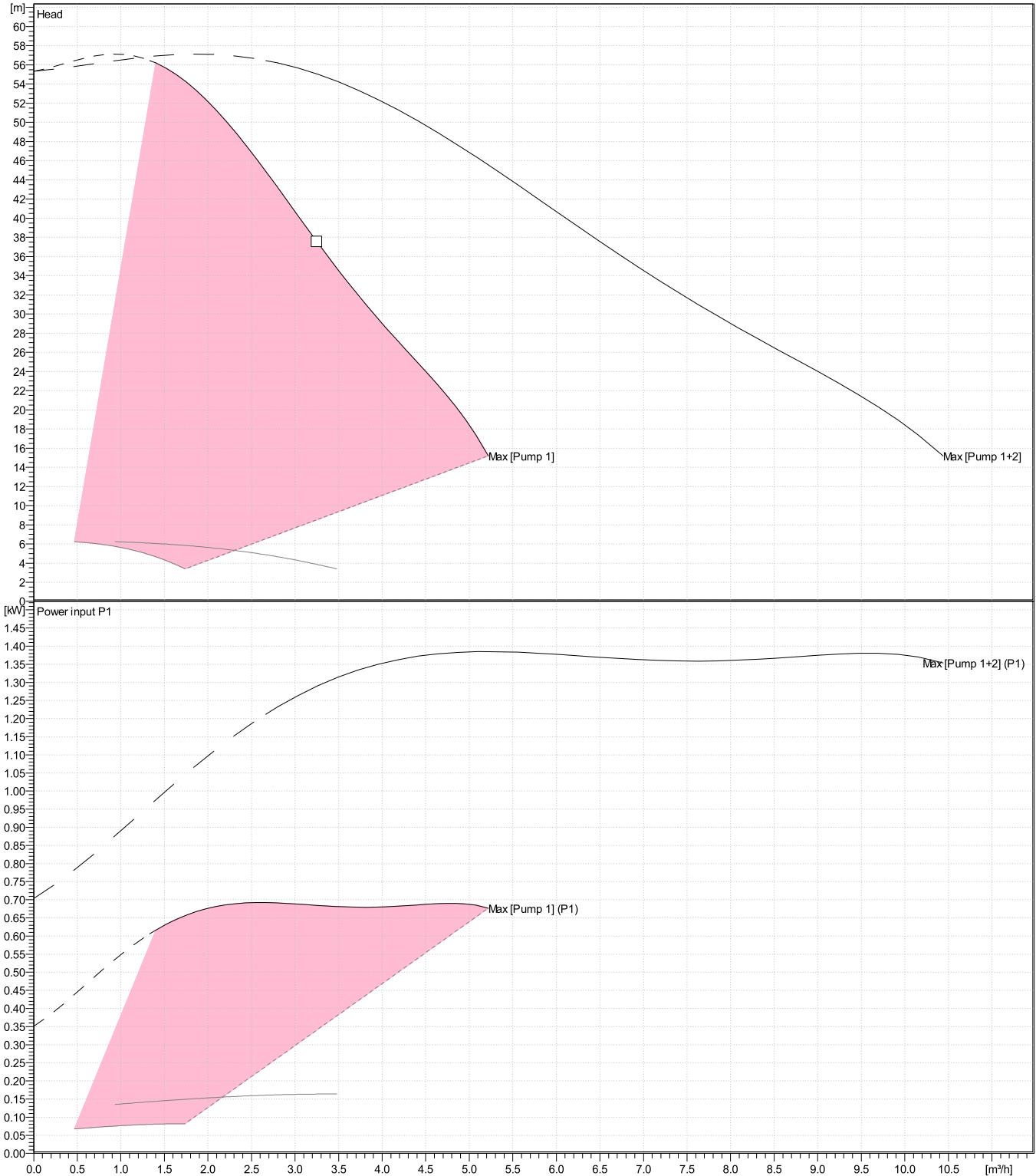
Flow
Head

Impeller design

Impeller R 73 mm
Frequency 50 Hz
Speed 2900 rpm

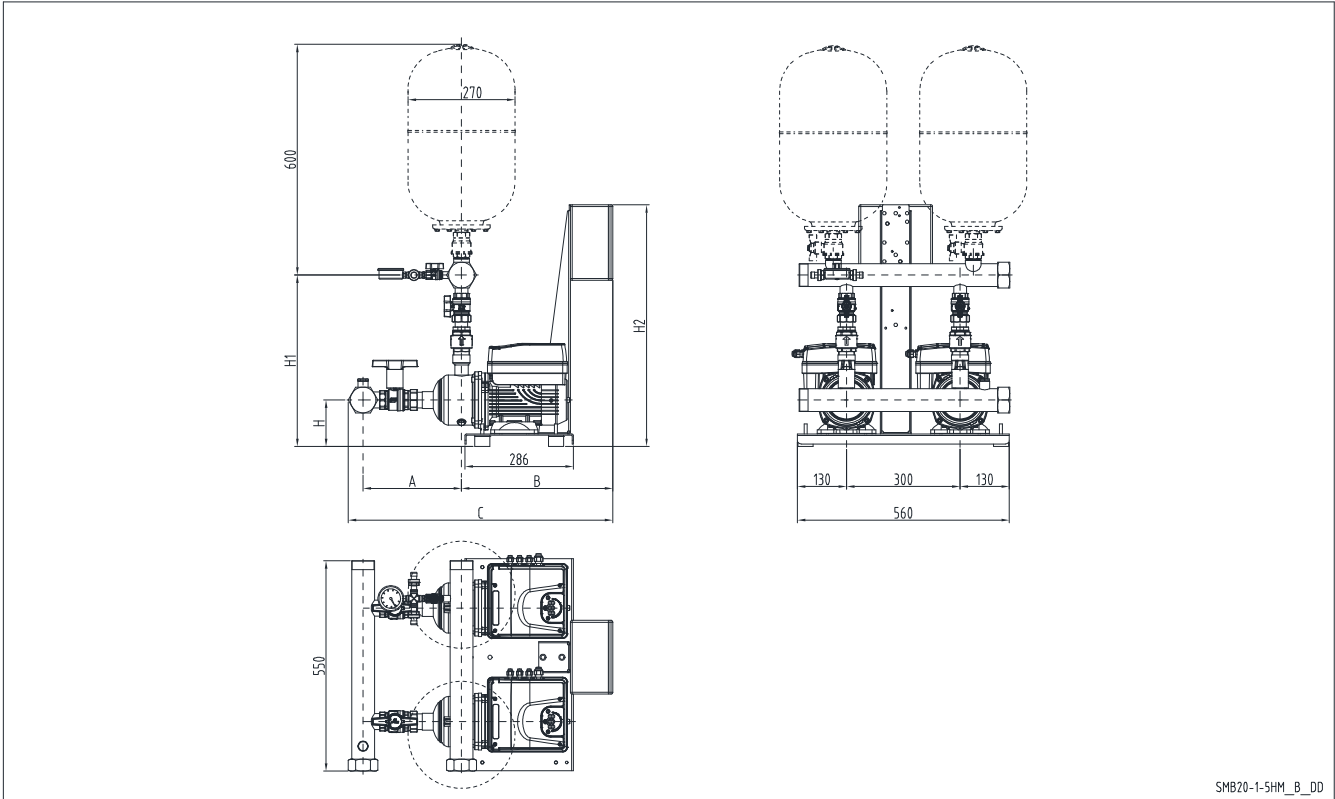
Power datas referred to:

Water, pure [100%]; 4°C; 1000kg/m³; 1.57mm²/s
Performance according to ISO 9906:2012 – Grade 3B



Dimensions

Company name
Contact
Phone number
e-mail address



SMB20-1-5HM_B_DD

PLEASE NOTE:

Dimensions

mm

| | | | | | | |
|-----|------|--|--|--|--|--|
| A | 264 | | | | | Weight (Include external package) On demand |
| B | 482 | | | | | |
| C | 776 | | | | | |
| DNA | R 2" | | | | | |
| DNM | R 2" | | | | | |
| H | 123 | | | | | |
| H1 | 408 | | | | | |
| H2 | 720 | | | | | |

| | | | | | |
|----------------|-----------------------|-------------------|-----------|--------------------|-----------|
| Project | Xylect-20865252 | Created by | | Last update | 7/17/2023 |
| Block | SMB20/3HME05S05/M2/UK | Created on | 7/17/2023 | | |