

SMB20/3SVE09R011/M2/UK

Technical data

Company name
Contact
Phone number
e-mail address

Operating data						
1	Nominal flow	m ³ /h	0	Fluid		Water, pure
2	Nominal head	m	0	Operating temperature t A	°C	4
3	Static head	m	0	pH-value at t A		7
4	Inlet pressure	kPa	0	Density at t A	kg/m ³	1000
5	Env ironmental temperature	°C	20	Kin. viscosity at t A	mm ² /s	1.569
6	Av ailable system NPSH	m	0	Vapor pressure at t A	kPa	100
7	Solids		0	Altitude	m	0
8						
Pump data						
9	Pump designation			Impeller Ø	Max.	mm 79
10	SMB20/3SVE09R011/M2/UK				designed	mm 79
11	Design	Variable speed			Min.	mm 79
12	Make			Flow	Nominal	m ³ /h ()
13					Max-	m ³ /h 5.2
14	Speed	rpm	2900		Min-	m ³ /h 1.4
15				Head	Nominal	m
16	Max. working pressure	kPa	984		at Qmax	m 30.3
17	Head H(Q=0)	m	100		at Qmin	m 101.4
18	Weight	kg	On demand	Shaft power	kW	()
19	Weight data include external package			Max. shaft power	kW	2.3
20				Efficiency	%	
21				NPSH 3%	m	
Materials						
22		Booster		Motor data		
23	Manifolds	Stainless steel, 1.4301, AISI 304		Manufacturer	Lowara	Electric voltage 208 V
24	On-off valves	Nickel-plated brass		Specific design	Single phase e-SM motor	
25	Non-return valves	Brass		Type	ESM90R/111 SVE	Electric current 8.57 A
26	Pressure switches	Galvanized steel/AISI 301		Rated power	1.1 kW	Degree of protection IP 55
27	Pressure transmitters	Stainless steel, 1.4301, AISI 304		Speed	3600 rpm	Insulation class F
28	Caps/plugs/flanges	AISI 304 / 316		Frame size	90R	RAL 5010
29	Fittings	AISI 304 / 316		Weight	0 kg	
30	Bracket	Galvanized/painted steel				
31	Base	Painted steel				
32						
Standard options						
33	Non return valve position		Non return valve in delivery side			
34	Set certificate					
35	Material Combination		Standard materials combination			
36	Pump Test		Set without certified pumps			
37	High pressure protection		Without high pressure protection on delivery			
38	Turned Delivery Manifold		Standard			
39	Oversize Piping		Standard manifold			
40	Control Panel		Standard			
41	Protection Against Dry Running		Without protection against dry running			
42	Control Devices Oversized		Standard			
43	Delivery Side		Standard delivery			
44	Suction side		Standard suction			
45	Pressure Transmitter		Standard			
46	Control Panel Position		Standard position			
47	Electric Pump Special Seals		Standard			
48	Non-return Valve		Standard non-return valve			

SMB20/3SVE09R011/M2/UK

Performance curve

Company name
Contact
Phone number
e-mail address

Operating Data Specification

Flow 0 m³/h
Head 0 m
Static head 0 m

Hydraulic data (duty point)

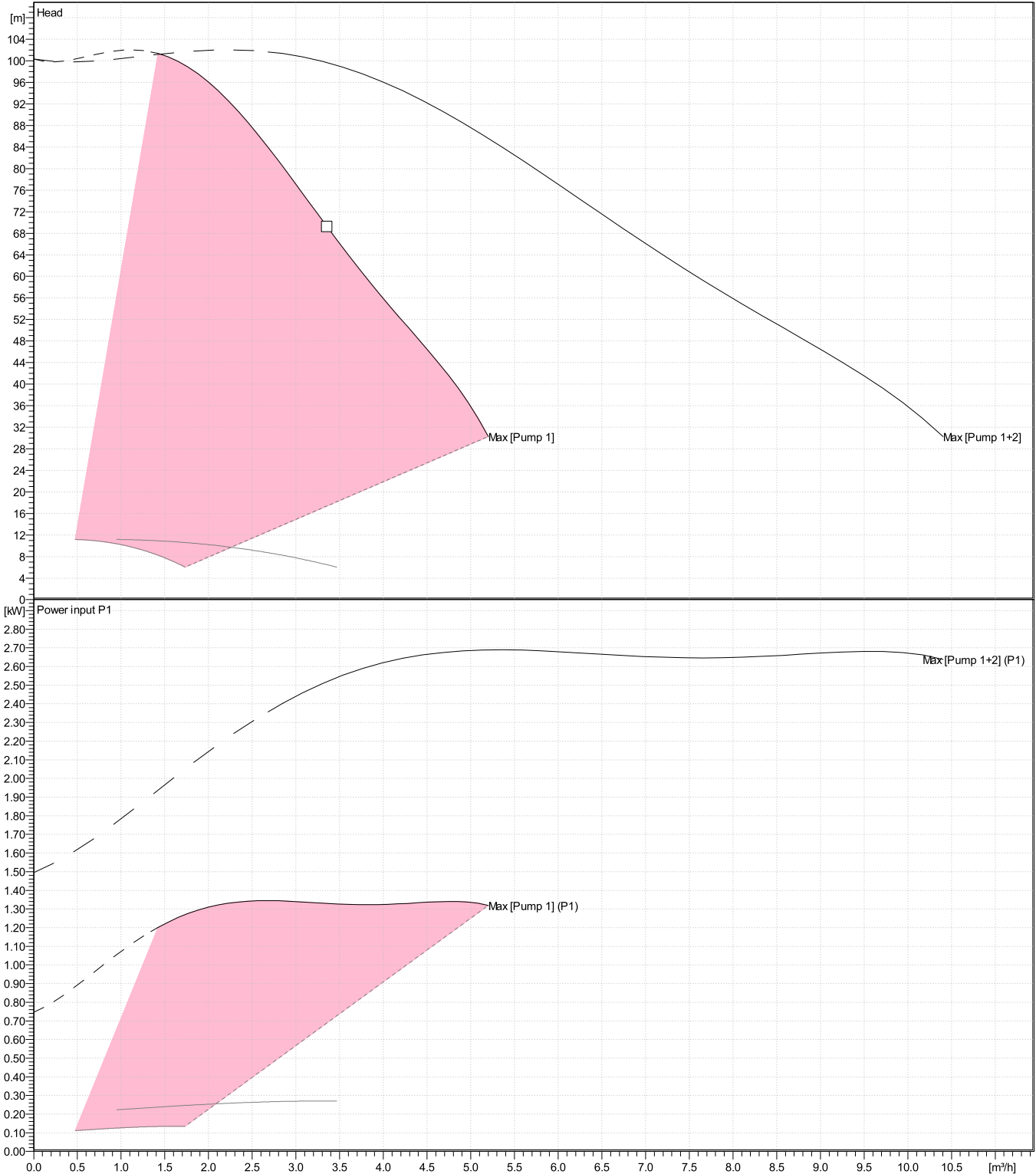
Flow
Head

Impeller design

Impeller R 79 mm
Frequency 50 Hz
Speed 2900 rpm

Power datas referred to:

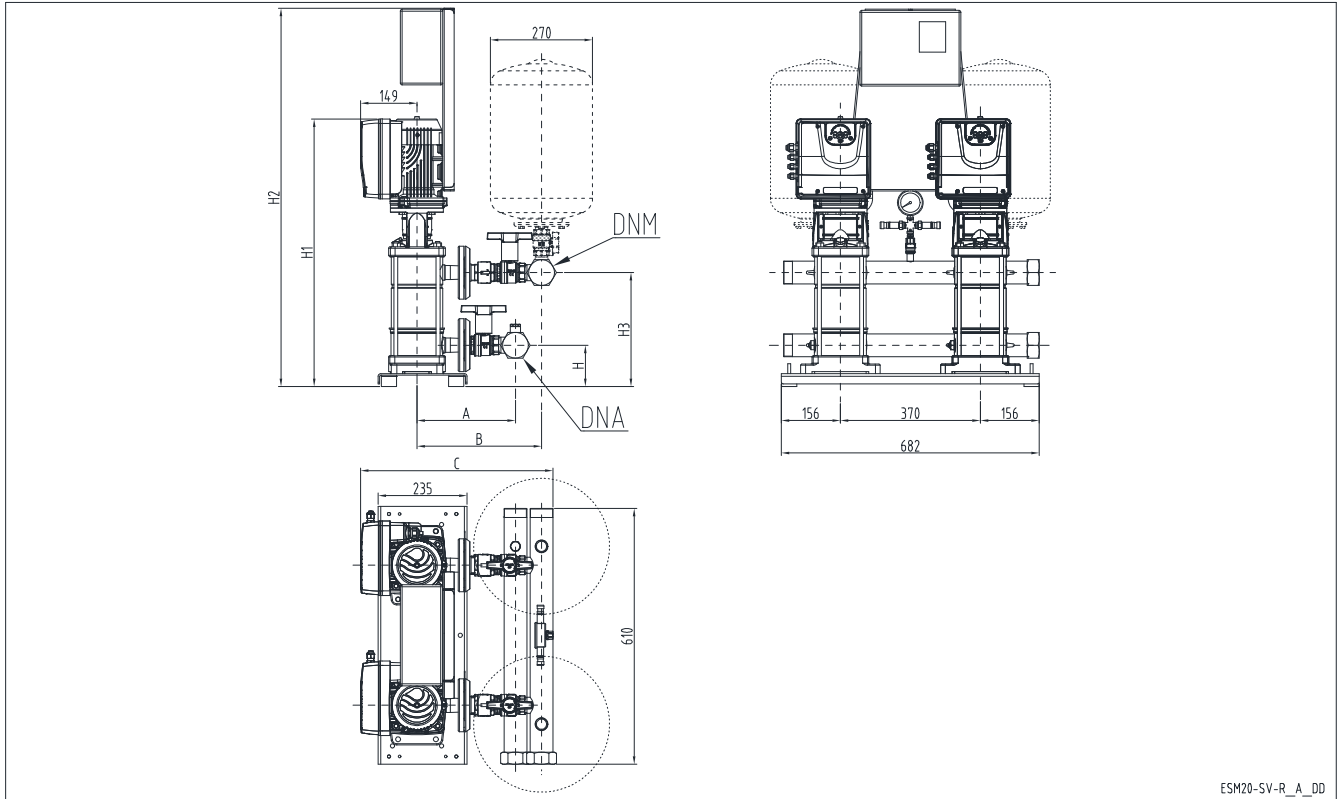
Water, pure [100%] ; 4°C; 1000kg/m³; 1.57mm²/s
Performance according to ISO 9906:2012 – Grade 3B



SMB20/3SVE09R011/M2/UK

Dimensions

Company name
Contact
Phone number
e-mail address



ESM20-SV-R_A_DD

PLEASE NOTE:

Dimensions

mm

A	256					Weight (Include external package) On demand
B	311					
C	490					
DNA	R2"					
DNM	R2"					
H	109					
H1	694					
H2	1068					
H3	281					

Project	Xylect-20865522	Created by		Last update	7/17/2023
Block	SMB20/3SVE09R011/M2/UK	Created on	7/17/2023		