



**SMB20/3SVE07R007/M2/UK**

**Performance curve**

Company name  
Contact  
Phone number  
e-mail address

**Operating Data Specification**

Flow 0 m<sup>3</sup>/h  
Head 0 m  
Static head 0 m

**Hydraulic data (duty point)**

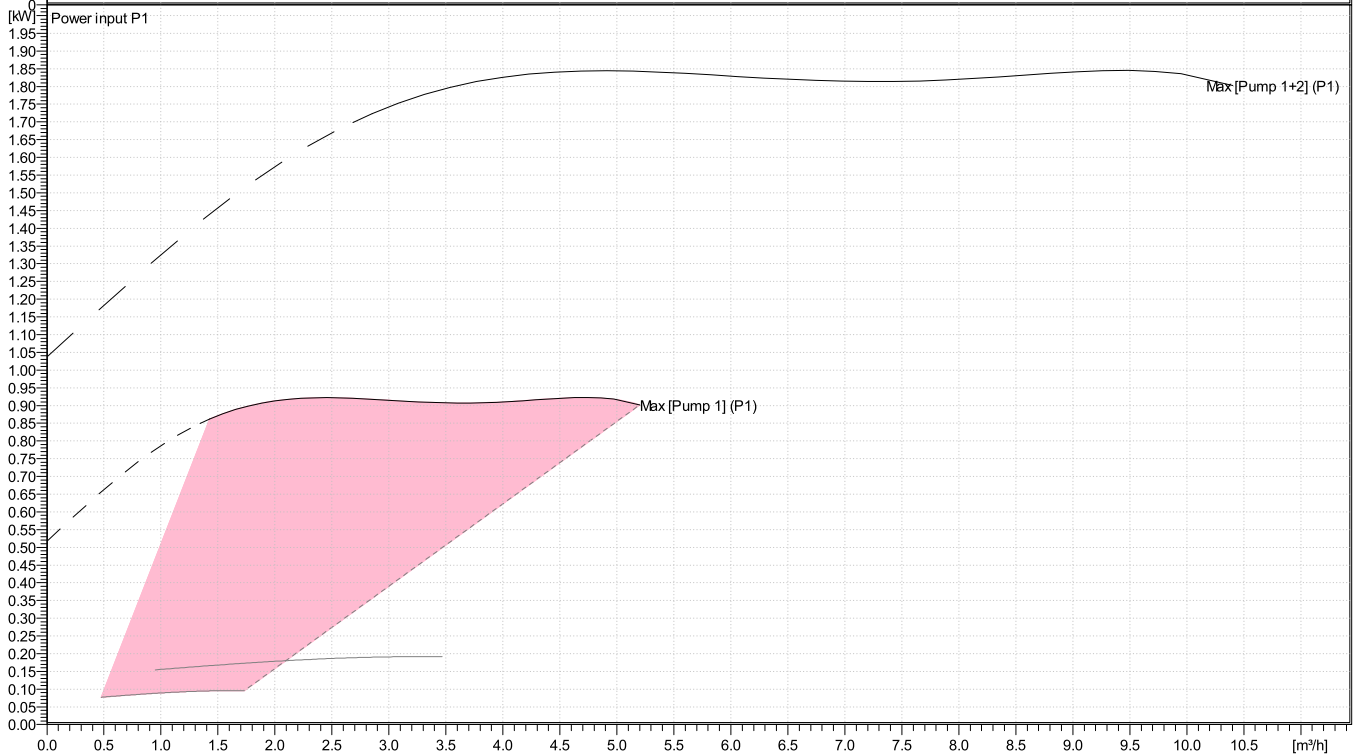
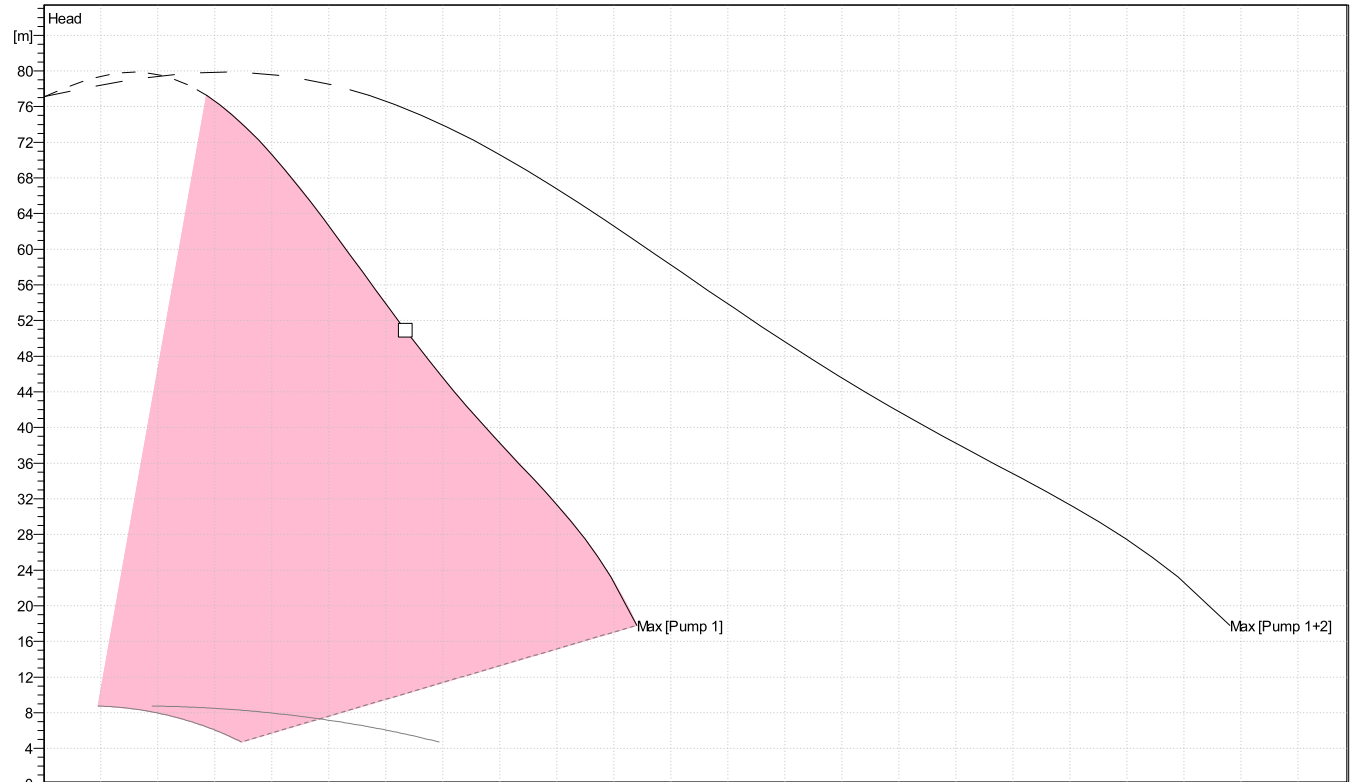
Flow  
Head

**Impeller design**

Impeller R 79 mm  
Frequency 50 Hz  
Speed 2900 rpm

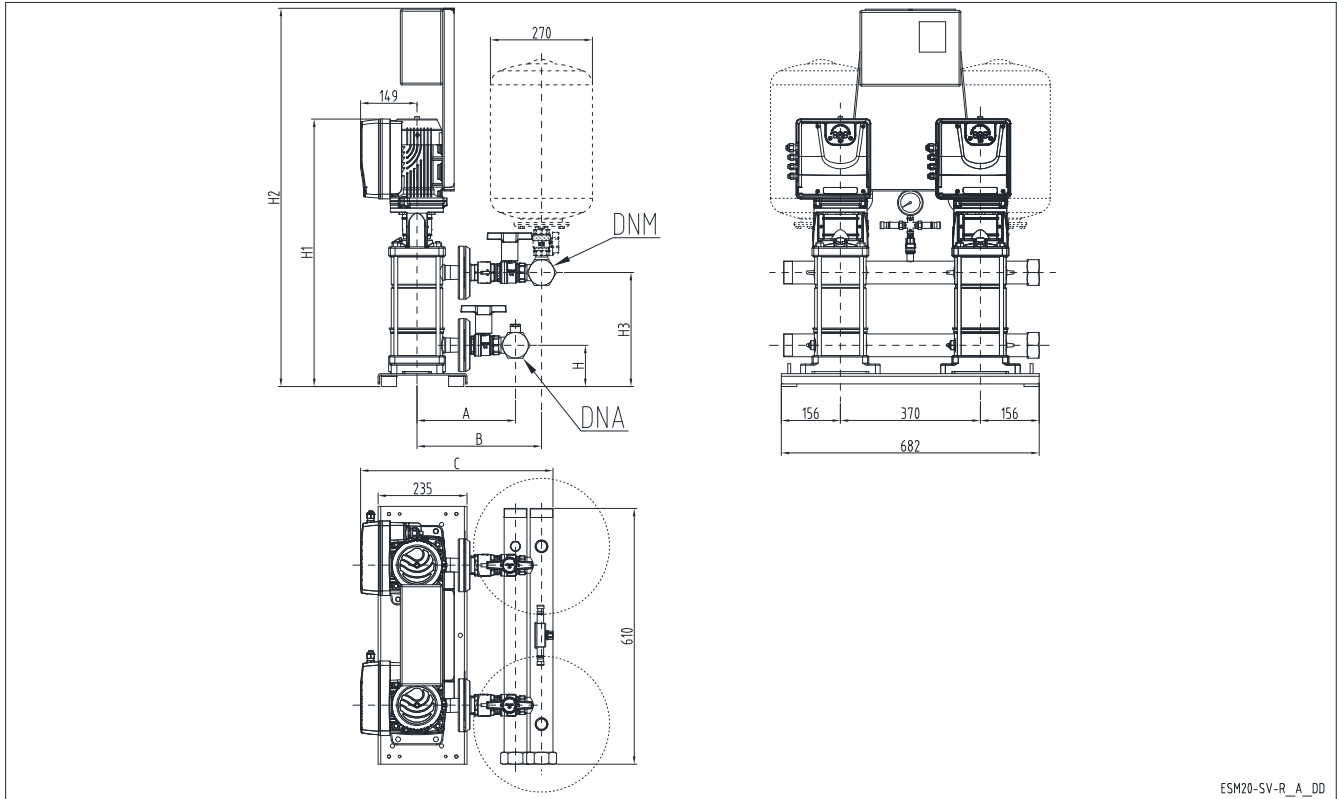
**Power datas referred to:**

Water, pure [100%] ; 4°C; 1000kg/m<sup>3</sup>; 1.57mm<sup>2</sup>/s  
Performance according to ISO 9906:2012 – Grade 3B



**Dimensions**

Company name  
Contact  
Phone number  
e-mail address



**PLEASE NOTE:**

**Dimensions**

mm

A	256					Weight (Include external package) On demand
B	311					
C	490					
DNA	R2"					
DNM	R2"					
H	109					
H1	654					
H2	1028					
H3	241					

Project Xylect-2086522  
Block SMB20/3SVE07R007/M2/UK

Created by  
Created on 7/17/2023

Last update 7/17/2023