

SMB20/1SVE15R011/M2/UK

Performance curve

Company name
Contact
Phone number
e-mail address

Operating Data Specification

Flow 0 m³/h
Head 0 m
Static head 0 m

Hydraulic data (duty point)

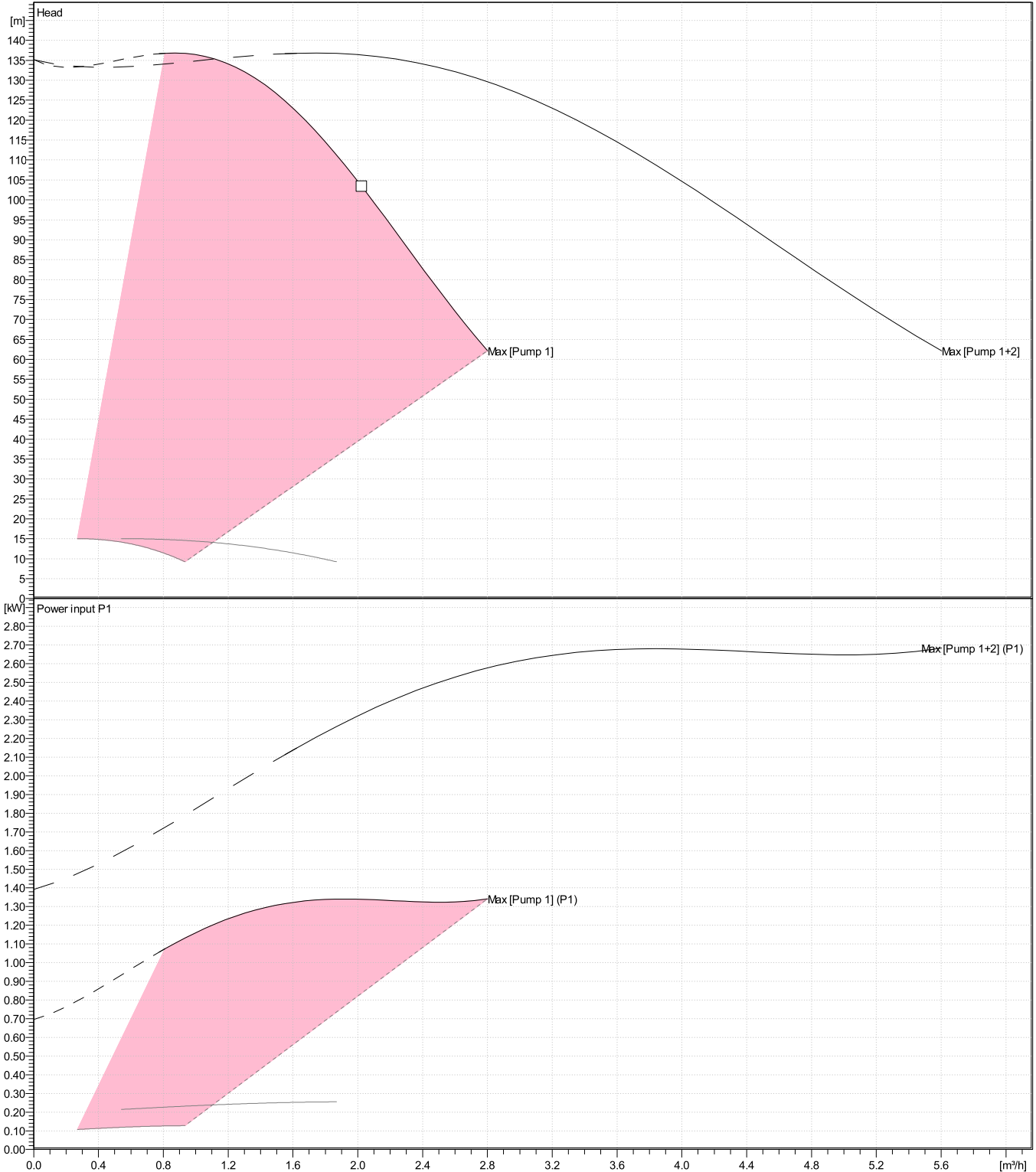
Flow
Head

Impeller design

Impeller R 73 mm
Frequency 50 Hz
Speed 2900 rpm

Power datas referred to:

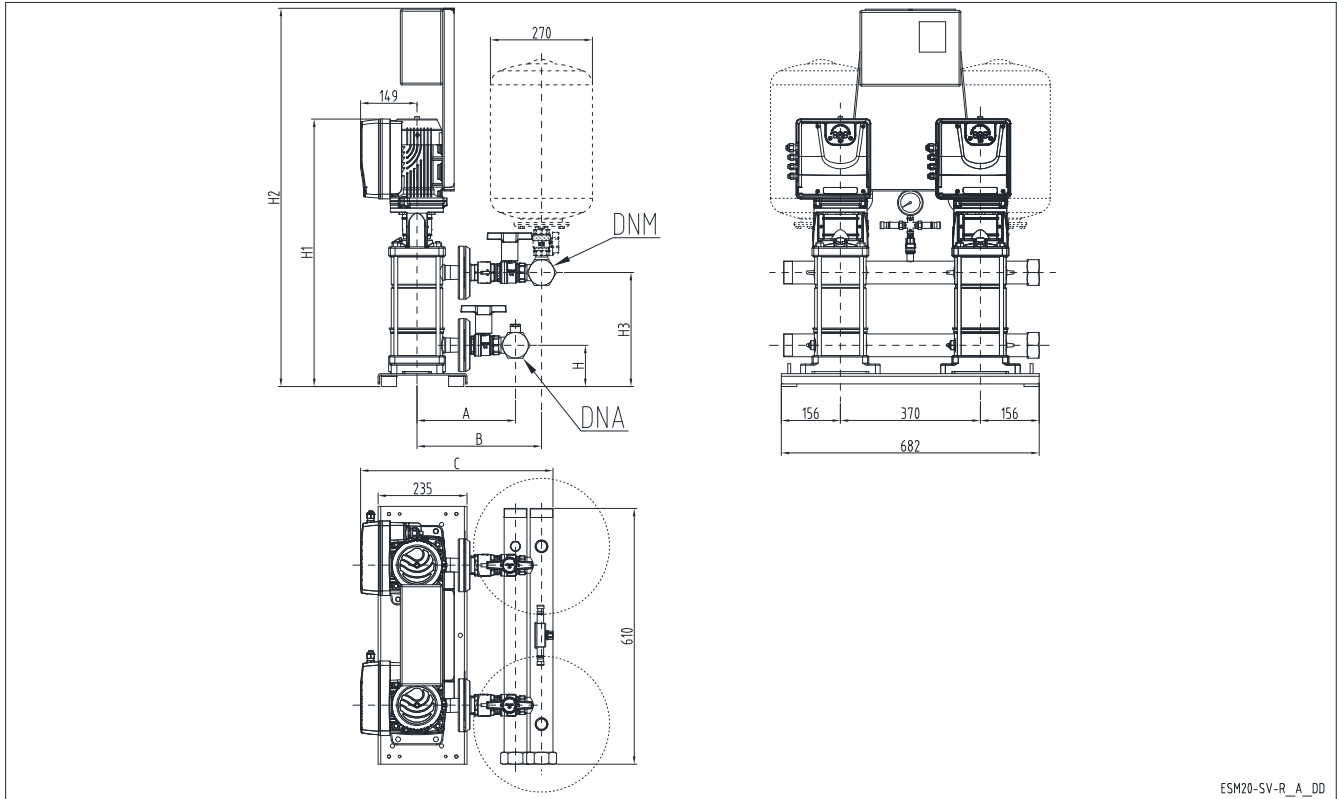
Water, pure [100%] ; 4°C; 1000kg/m³; 1.57mm²/s
Performance according to ISO 9906:2012 – Grade 3B



SMB20/1SVE15R011/M2/UK

Dimensions

Company name
Contact
Phone number
e-mail address



PLEASE NOTE:

Dimensions

mm

A	256					Weight (Include external package) On demand
B	311					
C	490					
DNA	R2"					
DNM	R2"					
H	109					
H1	814					
H2	1188					
H3	401					

Project Xylect-20865494
Block SMB20/1SVE15R011/M2/UK

Created by
Created on 7/17/2023

Last update 7/17/2023