

## SMB20/22SVE01F011/M2/UK

### Technical data

Company name  
Contact  
Phone number  
e-mail address

| Operating data   |                                      |                                   |           |  |  |
|------------------|--------------------------------------|-----------------------------------|-----------|--|--|
| 1                | Nominal flow                         | m <sup>3</sup> /h                 | 0         | Fluid  | Water, pure                            |
| 2                | Nominal head                         | m                                 | 0         | Operating temperature t A                    | °C 4                                   |
| 3                | Static head                          | m                                 | 0         | pH-value at t A                              | 7                                      |
| 4                | Inlet pressure                       | kPa                               | 0         | Density at t A                               | kg/m <sup>3</sup> 1000                 |
| 5                | Environmental temperature            | °C                                | 20        | Kin. viscosity at t A                        | mm <sup>2</sup> /s 1.569               |
| 6                | Available system NPSH                | m                                 | 0         | Vapor pressure at t A                        | kPa 100                                |
| 7                | Solids                               |                                   | 0         | Altitude                                     | m 0                                    |
| 8                |                                      |                                   |           |  |  |
| Pump data        |                                      |                                   |           |  |  |
| 9                | Pump designation                     |                                   |           | Impeller Ø                                   | Max. mm 105                            |
| 10               | SMB20/22SVE01F011/M2/UK              |                                   |           |  | designed mm 105                        |
| 11               | Design                               | Variable speed                    |           |  | Min. mm 105                            |
| 12               | Make                                 |                                   |           | Flow   | Nominal m <sup>3</sup> /h ( )          |
| 13               |                                      |                                   |           |  | Max- m <sup>3</sup> /h 30              |
| 14               | Speed                                | rpm                               | 2900      |  | Min- m <sup>3</sup> /h 12.8            |
| 15               |                                      |                                   |           | Head   | Nominal m                              |
| 16               | Max. working pressure                | kPa                               | 203.2     |  | at Qmax m 3                            |
| 17               | Head H(Q=0)                          | m                                 | 21        |  | at Qmin m 18.6                         |
| 18               | Weight                               | kg                                | On demand | Shaft power                                  | kW ( )                                 |
| 19               | Weight data include external package |                                   |           | Max. shaft power                             | kW 2.3                                 |
| 20               |                                      |                                   |           | Efficiency                                   | %                                      |
| 21               |                                      |                                   |           | NPSH 3%                                      | m                                      |
| Materials        |                                      |                                   |           |  |  |
| 22               |                                      | <b>Booster</b>                    |           | <b>Motor data</b>                            |  |
| 23               | Manifolds                            | Stainless steel, 1.4301, AISI 304 |           | Manufacturer                                 | Lowara Electric voltage 208 V          |
| 24               | On-off valves                        | Nickel-plated brass               |           | Specific design                              | Single phase e-SM motor                |
| 25               | Non-return valves                    | Brass                             |           | Type   | ESM90R/111 SVE Electric current 8.57 A |
| 26               | Pressure switches                    | Galvanized steel/AISI 301         |           | Rated power                                  | 1.1 kW Degree of protection IP 55      |
| 27               | Pressure transmitters                | Stainless steel, 1.4301, AISI 304 |           | Speed  | 3600 rpm Insulation class F            |
| 28               | Caps/plugs/flanges                   | AISI 304 / 316                    |           | Frame size                                   | 90R RAL 5010                           |
| 29               | Fittings                             | AISI 304 / 316                    |           | Weight                                       | 0 kg                                   |
| 30               | Bracket                              | Galvanized/painted steel          |           |  |  |
| 31               | Base                                 | Painted steel                     |           |  |  |
| 32               |                                      |                                   |           |  |  |
| Standard options |                                      |                                   |           |  |  |
| 33               | Non return valve position            |                                   |           | Non return valve in delivery side            |  |
| 34               | Set certificate                      |                                   |           |  |  |
| 35               | Material Combination                 |                                   |           | Standard materials combination               |  |
| 36               | Pump Test                            |                                   |           | Set without certified pumps                  |  |
| 37               | High pressure protection             |                                   |           | Without high pressure protection on delivery |  |
| 38               | Turned Delivery Manifold             |                                   |           | Standard                                     |  |
| 39               | Oversize Piping                      |                                   |           | Standard manifold                            |  |
| 40               | Control Panel                        |                                   |           | Standard                                     |  |
| 41               | Protection Against Dry Running       |                                   |           | Without protection against dry running       |  |
| 42               | Control Devices Oversized            |                                   |           | Standard                                     |  |
| 43               | Delivery Side                        |                                   |           | Standard delivery                            |  |
| 44               | Suction side                         |                                   |           | Standard suction                             |  |
| 45               | Pressure Transmitter                 |                                   |           | Standard                                     |  |
| 46               | Control Panel Position               |                                   |           | Standard position                            |  |
| 47               | Electric Pump Special Seals          |                                   |           | Standard                                     |  |
| 48               | Non-return Valve                     |                                   |           | Standard non-return valve                    |  |

**SMB20/22SVE01F011/M2/UK**

**Performance curve**

Company name  
Contact  
Phone number  
e-mail address

**Operating Data Specification**

Flow 0 m<sup>3</sup>/h  
Head 0 m  
Static head 0 m

**Hydraulic data (duty point)**

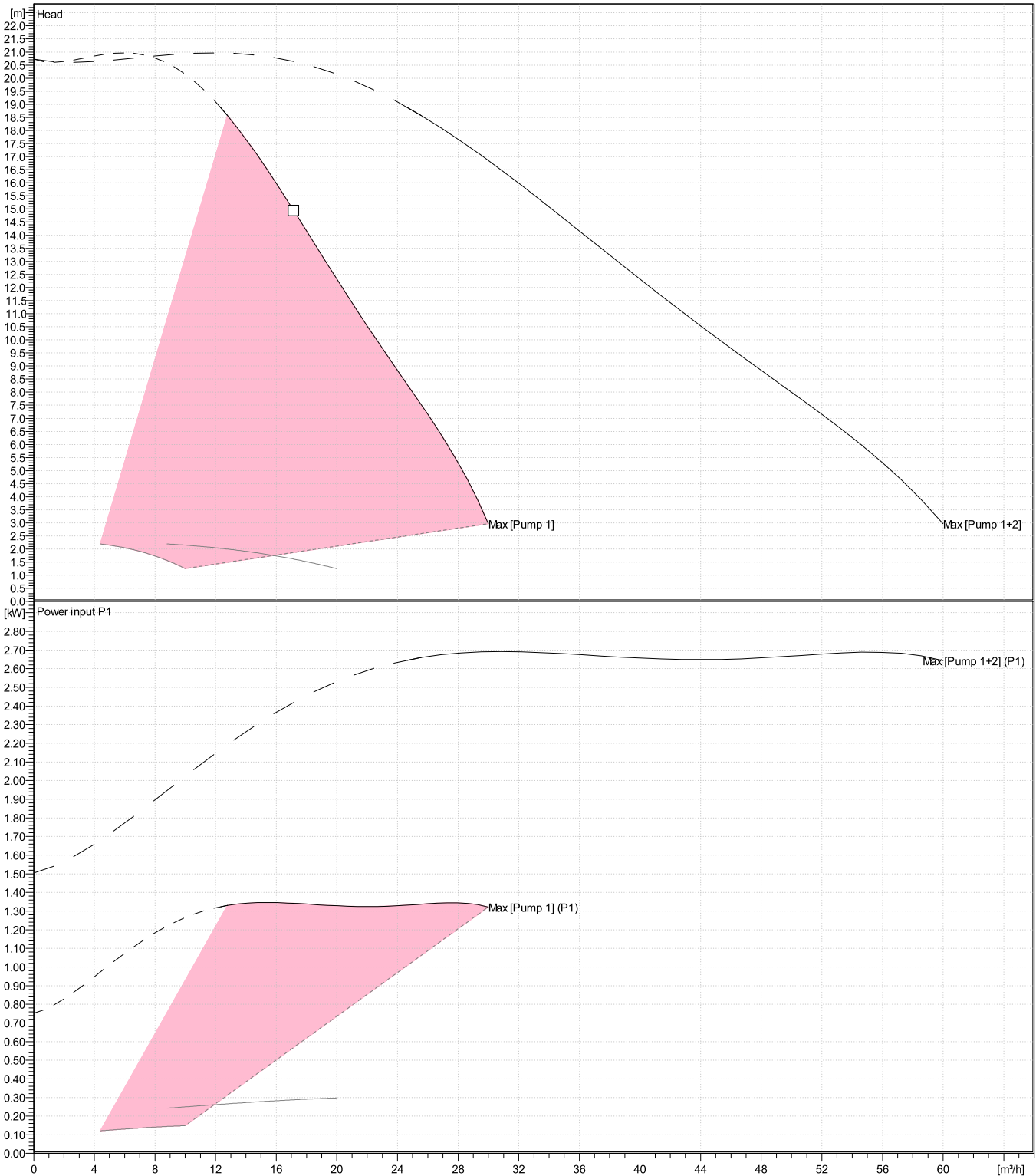
Flow  
Head

**Impeller design**

Impeller R 105 mm  
Frequency 50 Hz  
Speed 2900 rpm

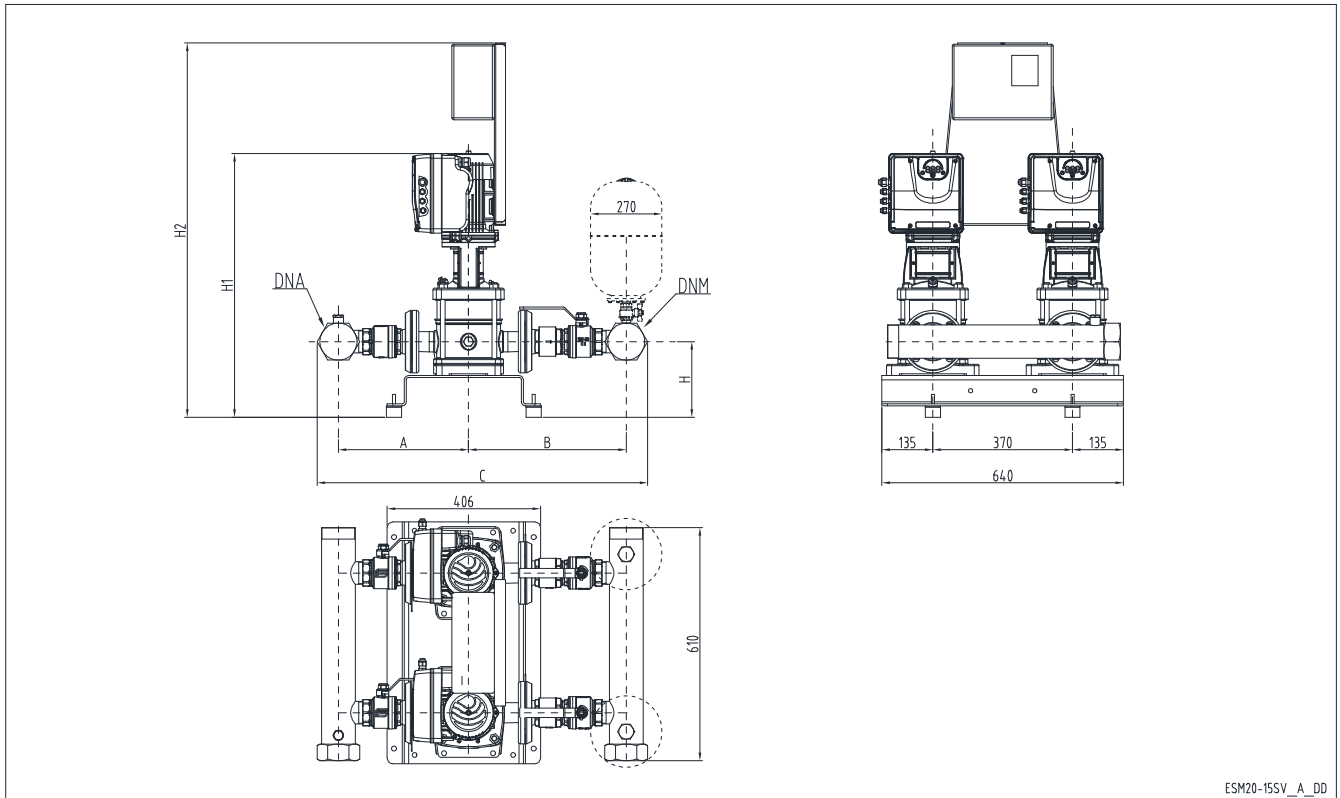
**Power datas referred to:**

Water, pure [100%]; 4°C; 1000kg/m<sup>3</sup>; 1.57mm<sup>2</sup>/s  
Performance according to ISO 9906:2012 – Grade 3B



**Dimensions**

Company name  
Contact  
Phone number  
e-mail address



ESM20-15SV\_A\_DD

**PLEASE NOTE:**

**Dimensions**

mm

|  |  |  |  |  |  |  |
|--|--|--|--|--|--|--|
|  |  |  |  |  |  | Weight (Include external package)<br>On demand |
|--|--|--|--|--|--|--|

**Project** Xylect-20866710  
**Block** SMB20/22SVE01F011/M2/UK

**Created by**  
**Created on** 7/17/2023

**Last update** 7/17/2023

Program version  
69.0 - 15052023 (Build 33)

Data version  
11/07/2023 09:15

User group(s)  
Xylem: United Kingdom - EXT