

SMB20/22SVE01F007/M2/UK

Technical data

Company name
Contact
Phone number
e-mail address

Operating data						
1	Nominal flow	m ³ /h	0	Fluid		Water, pure
2	Nominal head	m	0	Operating temperature t A	°C	4
3	Static head	m	0	pH-value at t A		7
4	Inlet pressure	kPa	0	Density at t A	kg/m ³	1000
5	Environmental temperature	°C	20	Kin. viscosity at t A	mm ² /s	1.569
6	Available system NPSH	m	0	Vapor pressure at t A	kPa	100
7	Solids		0	Altitude	m	0
8						
Pump data						
9	Pump designation			Impeller Ø	Max.	mm 105
10	SMB20/22SVE01F007/M2/UK				designed	mm 105
11	Design	Variable speed			Min.	mm 105
12	Make			Flow	Nominal	m ³ /h ()
13					Max-	m ³ /h 27
14	Speed	rpm	2900		Min-	m ³ /h 11
15				Head	Nominal	m
16	Max. working pressure	kPa	141.8		at Qmax	m 1.2
17	Head H(Q=0)	m	14		at Qmin	m 13.4
18	Weight	kg	On demand	Shaft power	kW	()
19	Weight data include external package			Max. shaft power	kW	1.5
20				Efficiency	%	
21				NPSH 3%	m	
Materials						
22		Booster		Motor data		
23	Manifolds	Stainless steel, 1.4301, AISI 304		Manufacturer	Lowara	Electric voltage 208 V
24	On-off valves	Nickel-plated brass		Specific design	Single phase e-SM motor	
25	Non-return valves	Brass		Type	ESM90R/107 SVE	Electric current 6.2 A
26	Pressure switches	Galvanized steel/AISI 301		Rated power	0.75 kW	Degree of protection IP 55
27	Pressure transmitters	Stainless steel, 1.4301, AISI 304		Speed	3600 rpm	Insulation class F
28	Caps/plugs/flanges	AISI 304 / 316		Frame size	90R	RAL 5010
29	Fittings	AISI 304 / 316		Weight	0 kg	
30	Bracket	Galvanized/painted steel				
31	Base	Painted steel				
32						
Standard options						
33	Non return valve position			Non return valve in delivery side		
34	Set certificate					
35	Material Combination			Standard materials combination		
36	Pump Test			Set without certified pumps		
37	High pressure protection			Without high pressure protection on delivery		
38	Turned Delivery Manifold			Standard		
39	Oversize Piping			Standard manifold		
40	Control Panel			Standard		
41	Protection Against Dry Running			Without protection against dry running		
42	Control Devices Oversized			Standard		
43	Delivery Side			Standard delivery		
44	Suction side			Standard suction		
45	Pressure Transmitter			Standard		
46	Control Panel Position			Standard position		
47	Electric Pump Special Seals			Standard		
48	Non-return Valve			Standard non-return valve		

SMB20/22SVE01F007/M2/UK

Performance curve

Company name
Contact
Phone number
e-mail address

Operating Data Specification

Flow 0 m³/h
Head 0 m
Static head 0 m

Hydraulic data (duty point)

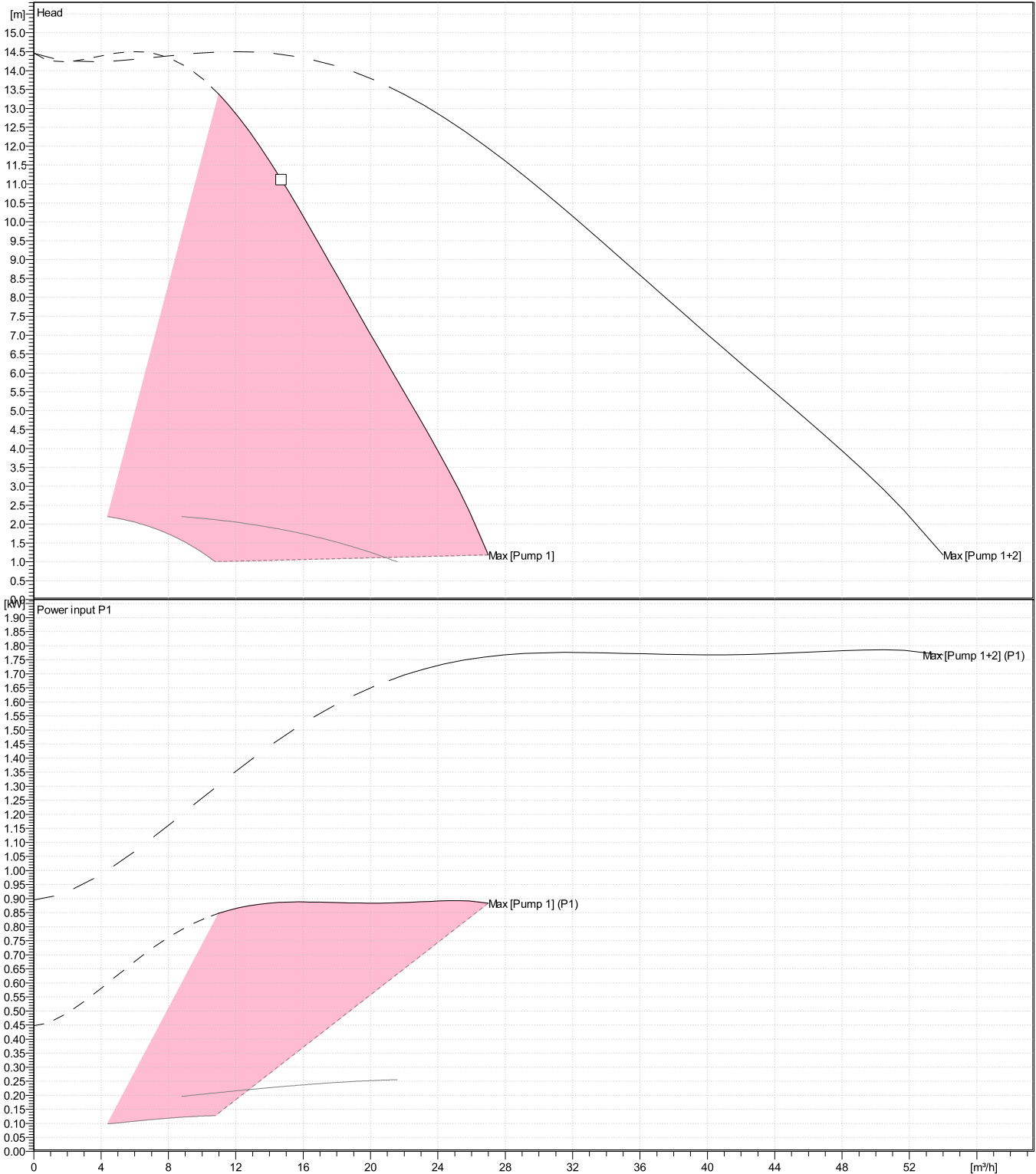
Flow
Head

Impeller design

Impeller R 105 mm
Frequency 50 Hz
Speed 2900 rpm

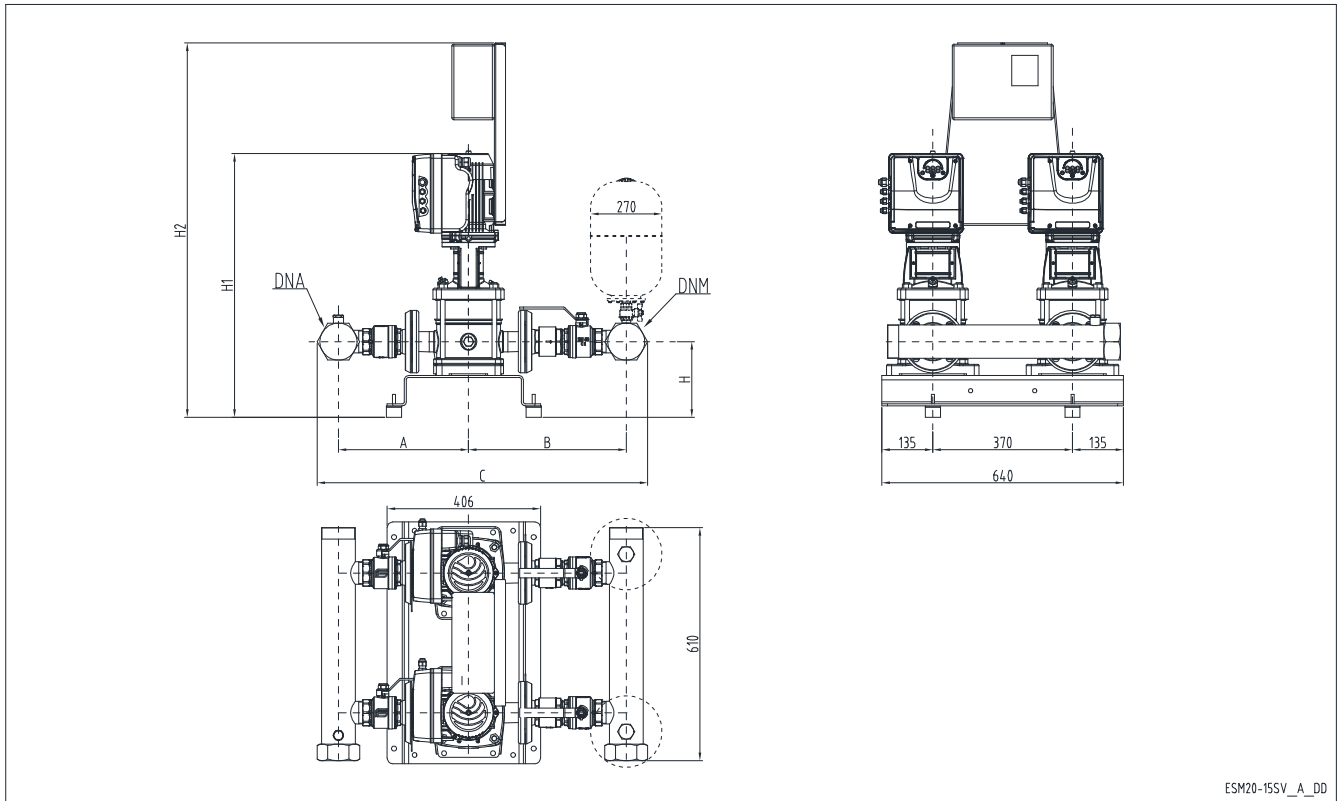
Power datas referred to:

Water, pure [100%]; 4°C; 1000kg/m³; 1.57mm²/s
Performance according to ISO 9906:2012 – Grade 3B



Dimensions

Company name
Contact
Phone number
e-mail address



ESM20-15SV_A_DD

PLEASE NOTE:

Dimensions

mm

						Weight (Include external package) On demand
--	--	--	--	--	--	--

Project	Xylect-20866710	Created by		Last update	7/17/2023
Block	SMB20/22SVE01F007/M2/UK	Created on	7/17/2023		