

SMB20/10SVE03F015/M2/UK

Performance curve

Company name
Contact
Phone number
e-mail address

Operating Data Specification

Flow 0 m³/h
Head 0 m
Static head 0 m

Hydraulic data (duty point)

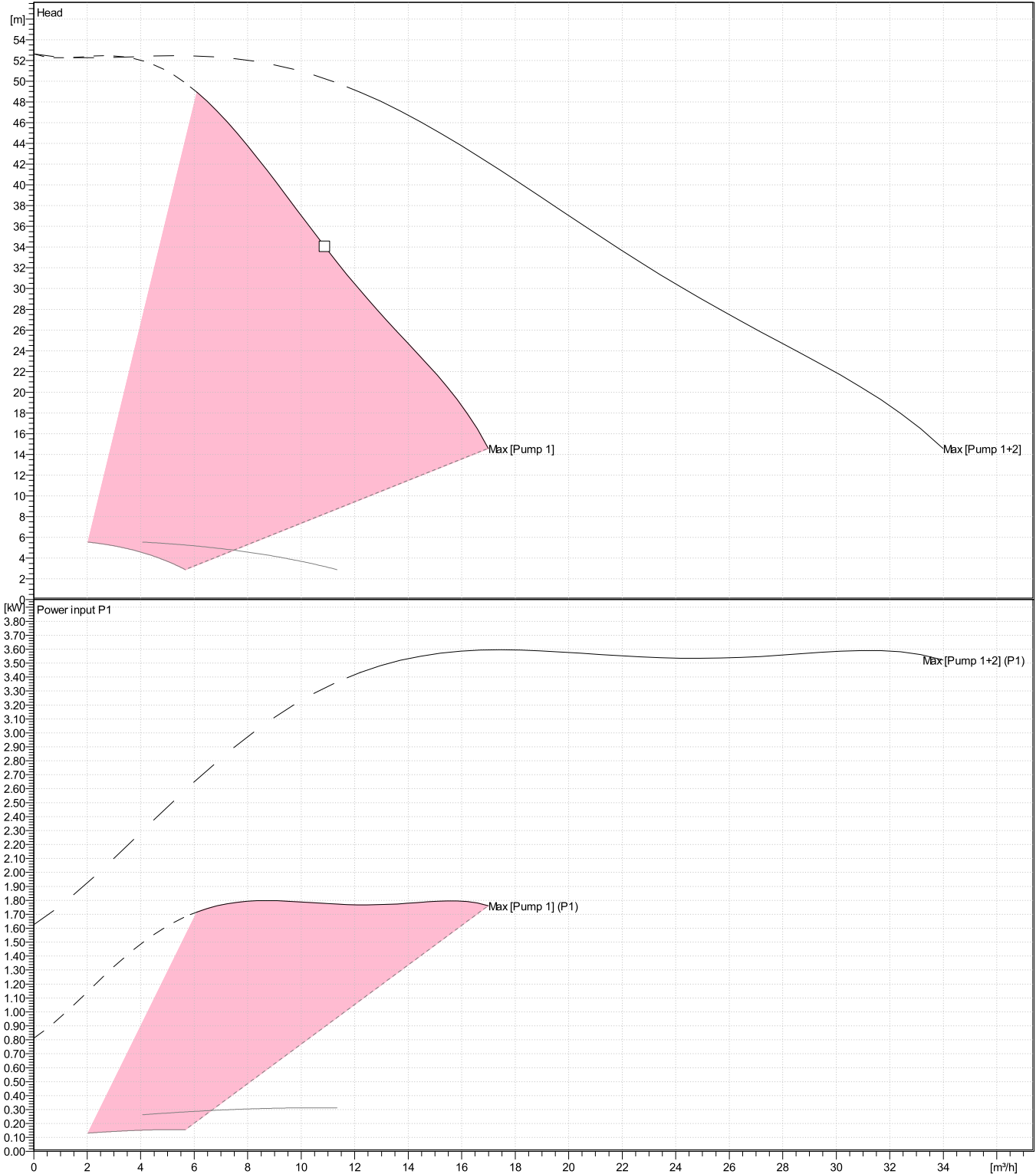
Flow
Head

Impeller design

Impeller R 96 mm
Frequency 50 Hz
Speed 2900 rpm

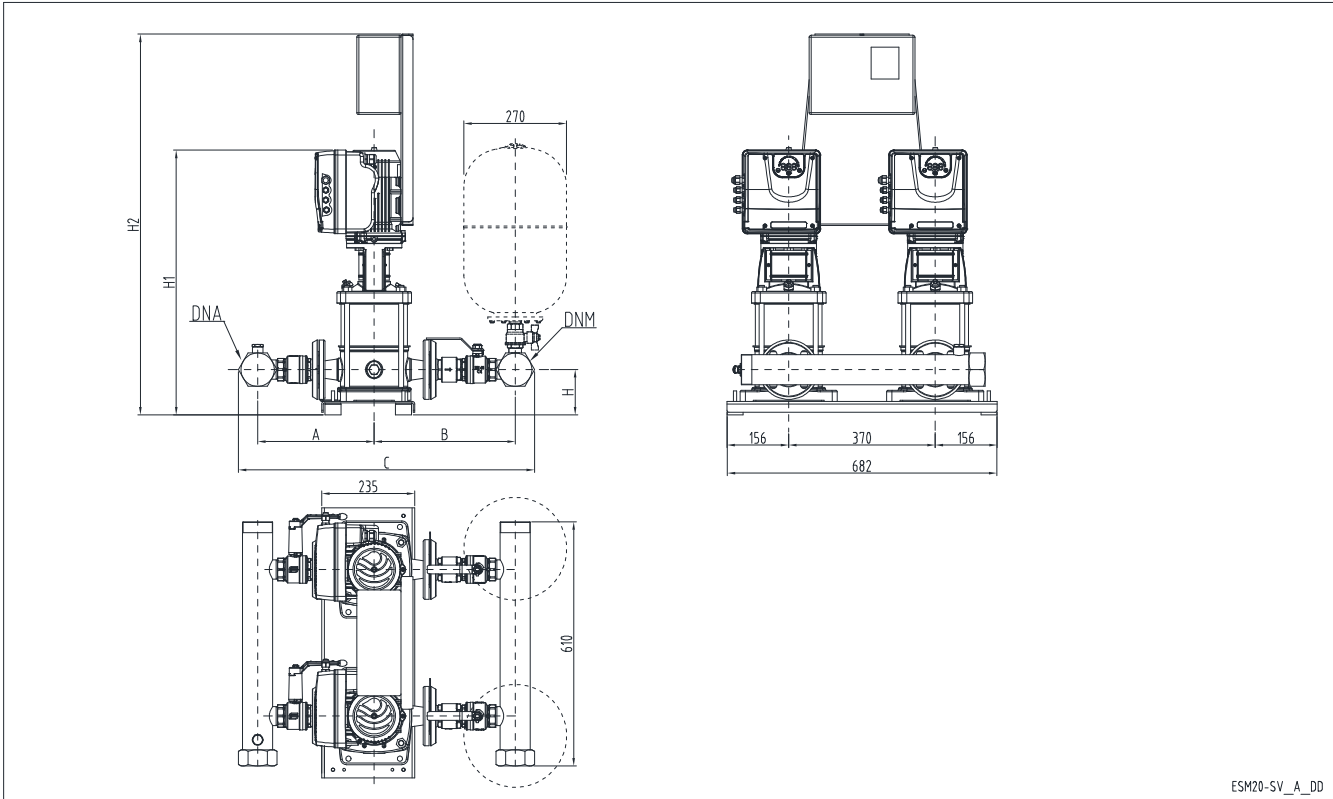
Power datas referred to:

Water, pure [100%] ; 4°C; 1000kg/m³; 1.57mm²/s
Performance according to ISO 9906:2012 – Grade 3B



Dimensions

Company name
Contact
Phone number
e-mail address



ESM20-SV_A_DD

PLEASE NOTE:

Dimensions

mm

A	294					Weight (Include external package) On demand
B	356					
C	726					
DNA	R2"1/2					
DNM	R2"1/2					
H	114					
H1	675					
H2	1049					

Project	Xylect-2086622	Created by		Last update	7/17/2023
Block	SMB20/10SVE03F015/M2/UK	Created on	7/17/2023		