

SMB20/10SVE02F007/M2/UK

Performance curve

Company name
Contact
Phone number
e-mail address

Operating Data Specification

Flow 0 m³/h
Head 0 m
Static head 0 m

Hydraulic data (duty point)

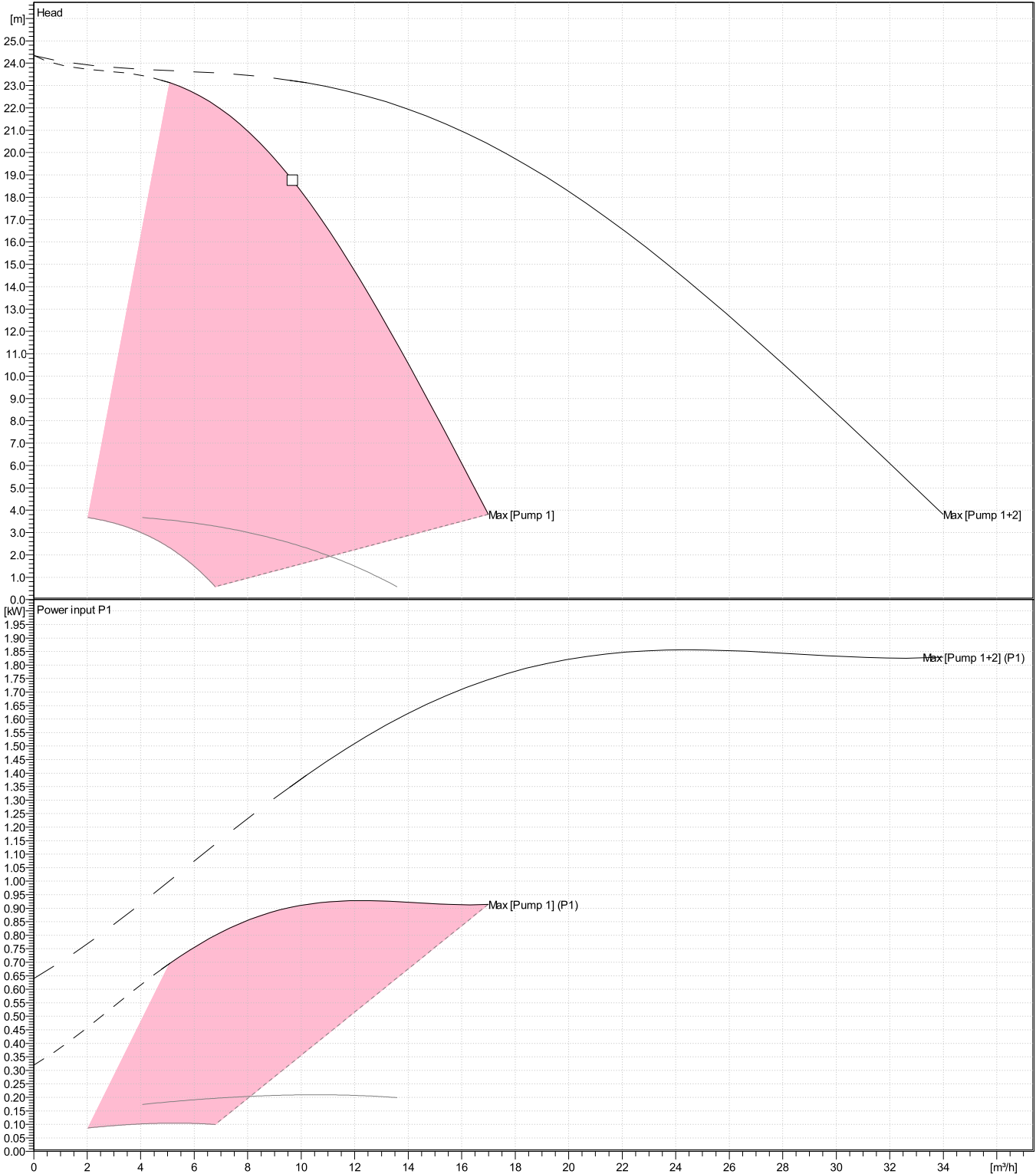
Flow
Head

Impeller design

Impeller R 96 mm
Frequency 50 Hz
Speed 2900 rpm

Power datas referred to:

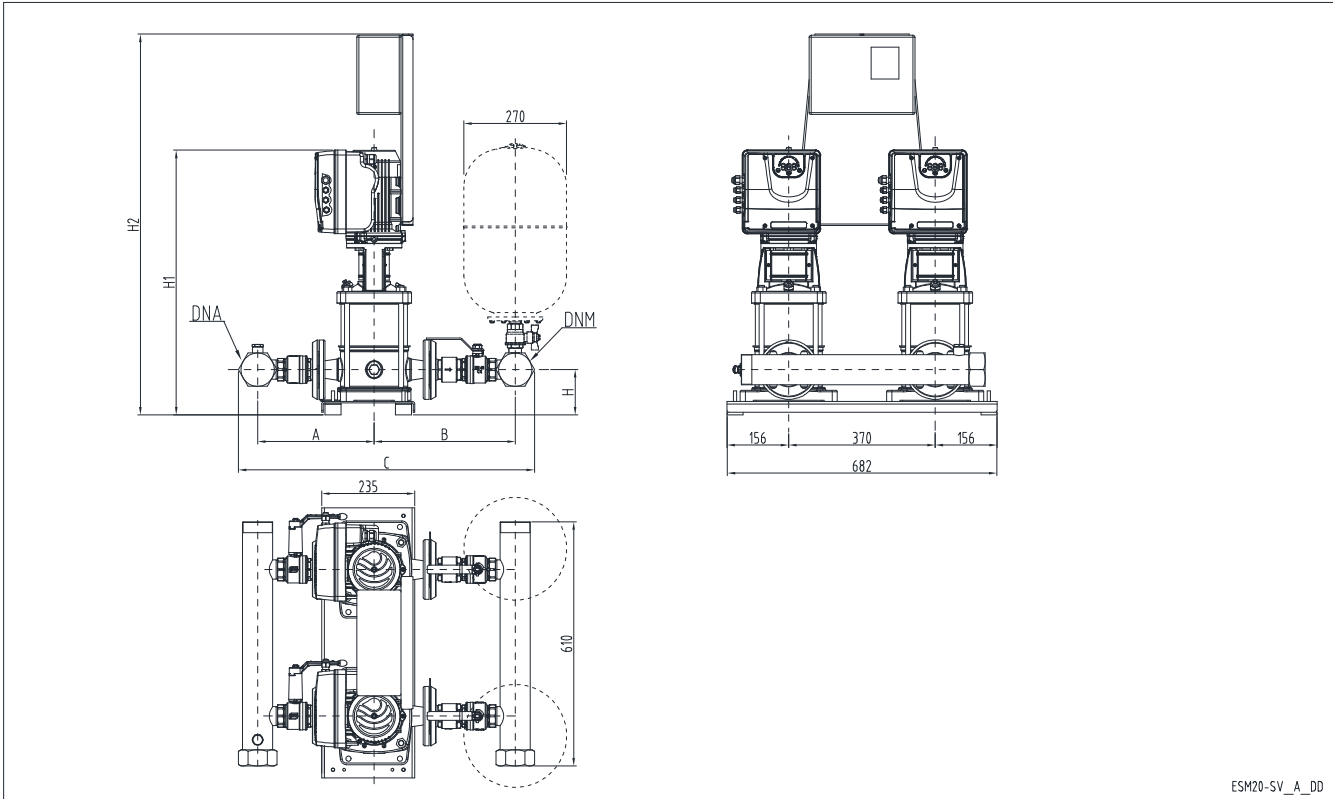
Water, pure [100%]; 4°C; 1000kg/m³; 1.57mm²/s
Performance according to ISO 9906:2012 – Grade 3B



SMB20/10SVE02F007/M2/UK

Dimensions

Company name
Contact
Phone number
e-mail address



ESM20-SV_A_DD

PLEASE NOTE:

Dimensions

mm

						Weight (Include external package) On demand
--	--	--	--	--	--	--

Project	Xylect-2086622	Created by		Last update	7/17/2023
Block	SMB20/10SVE02F007/M2/UK	Created on	7/17/2023		