

SMB20/5SVE03F005/M2/UK

Technical data

Company name
Contact
Phone number
e-mail address

Operating data					
1	Nominal flow	m ³ /h	0	Fluid	Water, pure
2	Nominal head	m	0	Operating temperature t A	°C 4
3	Static head	m	0	pH-value at t A	7
4	Inlet pressure	kPa	0	Density at t A	kg/m ³ 1000
5	Environmental temperature	°C	20	Kin. viscosity at t A	mm ² /s 1.569
6	Available system NPSH	m	0	Vapor pressure at t A	kPa 100
7	Solids		0	Altitude	m 0
8					
Pump data					
9	Pump designation			Max.	mm 76
10	SMB20/5SVE03F005/M2/UK			designed	mm 76
11	Design	Variable speed		Min.	mm 76
12	Make			Nominal	m ³ /h ()
13				Max-	m ³ /h 10
14	Speed	rpm	2900	Min-	m ³ /h 3.1
15				Nominal	m
16	Max. working pressure	kPa	328.9	at Qmax	m 9.2
17	Head H(Q=0)	m	34	at Qmin	m 32.4
18	Weight	kg	On demand	Shaft power	kW ()
19	Weight data include external package			Max. shaft power	kW 1.2
20				Efficiency	%
21				NPSH 3%	m
Materials					
22		Booster		Motor data	
23	Manifolds	Stainless steel, 1.4301, AISI 304		Manufacturer	Lowara
24	On-off valves	Nickel-plated brass		Electric voltage	208 V
25	Non-return valves	Brass		Specific design	Single phase e-SM motor
26	Pressure switches	Galvanized steel/AISI 301		Type	ESM90R/105 SVE
27	Pressure transmitters	Stainless steel, 1.4301, AISI 304		Rated power	0.55 kW
28	Caps/plugs/flanges	AISI 304 / 316		Speed	3600 rpm
29	Fittings	AISI 304 / 316		Frame size	90R
30	Bracket	Galvanized/painted steel		Weight	0 kg
31	Base	Painted steel			
32					
Standard options					
33	Non return valve position	Non return valve in delivery side			
34	Set certificate				
35	Material Combination	Standard materials combination			
36	Pump Test	Set without certified pumps			
37	High pressure protection	Without high pressure protection on delivery			
38	Turned Delivery Manifold	Standard			
39	Oversize Piping	Standard manifold			
40	Control Panel	Standard			
41	Protection Against Dry Running	Without protection against dry running			
42	Control Devices Oversized	Standard			
43	Delivery Side	Standard delivery			
44	Suction side	Standard suction			
45	Pressure Transmitter	Standard			
46	Control Panel Position	Standard position			
47	Electric Pump Special Seals	Standard			
48	Non-return Valve	Standard non-return valve			

SMB20/5SVE03F005/M2/UK

Performance curve

Company name
Contact
Phone number
e-mail address

Operating Data Specification

Flow 0 m³/h
Head 0 m
Static head 0 m

Hydraulic data (duty point)

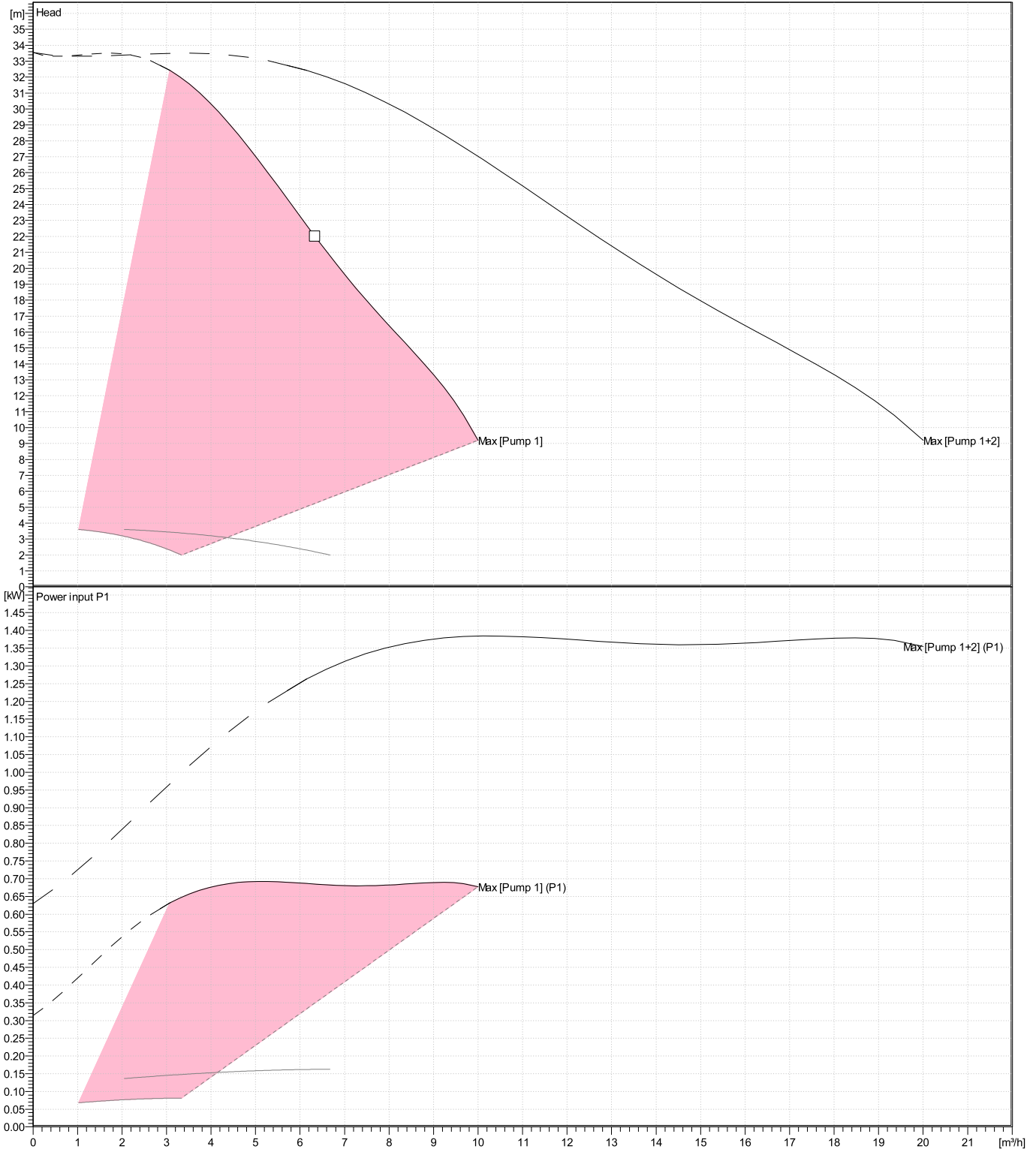
Flow
Head

Impeller design

Impeller R 76 mm
Frequency 50 Hz
Speed 2900 rpm

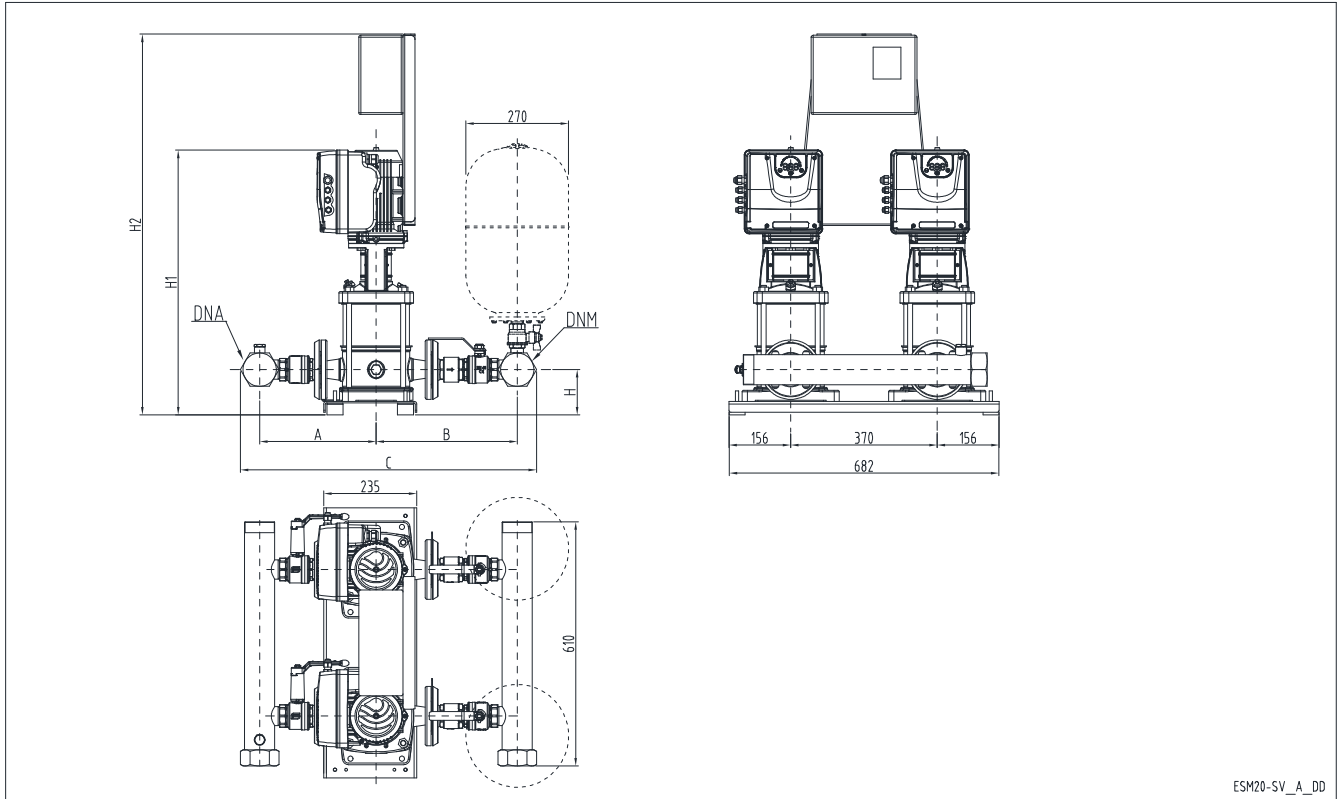
Power datas referred to:

Water, pure [100%]; 4°C; 1000kg/m³; 1.57mm²/s
Performance according to ISO 9906:2012 – Grade 3B



Dimensions

Company name
Contact
Phone number
e-mail address



PLEASE NOTE:

Dimensions

mm

A	260					Weight (Include external package) On demand
B	329					
C	649					
DNA	R2"					
DNM	R2"					
H	109					
H1	589					
H2	963					

Project	Xylect-20866598	Created by		Last update	7/17/2023
Block	SMB20/5SVE03F005/M2/UK	Created on	7/17/2023		